

109年公務人員特種考試關務人員、身心障礙人員考試及
109年國軍上校以上軍官轉任公務人員考試試題

考試別：關務人員考試
等別：四等考試
類科：各科別
科目：國文（作文、公文與測驗）
考試時間：2小時

更多關務考試科目的歷屆題庫
立即上網搜尋“關務考試歷屆考古題”
高鋒公職補習班整理
Line@帳號：@gaofeng
連絡電話：07-236-7296

座號：_____

※注意：禁止使用電子計算器。

甲、作文與公文部分：

- (一)請以藍、黑色鋼筆或原子筆在申論試卷上由左至右橫式作答，於本試題上作答者，不予計分。
(二)不得於試卷上書寫姓名或座號。

一、作文：（60分）

街道上，一位衣衫襤褸、傷口化膿的老人讓我停下了腳步。他顫抖著伸出一隻紅腫、骯髒的手，喃喃地向我乞討。我摸索身上所有的口袋，連一毛錢都沒找著。望著那隻等在我面前顫巍巍的手，我歉疚不安的緊緊握住：「真對不住，老哥，我今天出門什麼都沒有帶……」他凝視著我，發青的嘴唇微微地笑了。他用力回握住我的手說：「謝謝你，兄弟，你給了我一份美好的禮物。」

上文中的老人為什麼心懷感謝？他究竟獲得了什麼美好的禮物？請以「美好的禮物」為題，先對上述問題提出自己的看法，從而連結你生活中給予或接受的經驗，作文一篇，加以敘寫。

二、公文：（20分）

法令與情境說明：

(一)海關緝私條例規定：

1. 第四十六條：海關依本條例處分之緝私案件，應製作處分書送達受處分人。
2. 第四十七條第一項：受處分人及利害關係人不服前條處分者，得於收受處分書之翌日起算三十日內，依規定格式，以書面向原處分海關申請復查。

(二)林○○先生委由○航空貨運承攬有限公司於109年5月6日向財政部關務署臺北關（下稱臺北關）報運進口快遞貨物一批，經臺北關查驗發現有虛報進口貨物名稱、數量及產地之事宜，乃依海關緝私條例相關規定，以109年5月22日109年○號處分書，處林先生罰鍰新臺幣60,000元整，併沒入該批貨物。

(三)林先生於109年5月25日收受處分書，旋即於同年月28日以書面敘明理由並檢附有關資料，向財政部請求救濟。

(四)該部依海關緝私條例第四十七條第一項之規定，以最速件將之轉請臺北關依法裁處逕復林先生。

問題：請依上開法令與情境說明，試擬財政部致該部關務署臺北關函。

乙、測驗部分：(20分)

代號：2141

(一)本測驗試題為單一選擇題，請選出一個正確或最適當的答案，複選作答者，該題不予計分。

(二)共10題，每題2分，須用2B鉛筆在試卡上依題號清楚劃記，於本試題或申論試卷上作答者，不予計分。

1 下列文句「」中使用的成語，何者正確？

- (A)加拿大外海一隻母鯨背著夭折的小虎鯨同游16天，「菽水之養」令人鼻酸
- (B)澳洲乾旱嚴重，畜牧場中一大群牛圍著水車喝水，「萬頭攢動」的景象震撼人心
- (C)哥斯大黎加的國家公園裡，行軍蟻入侵一座蜂巢，工蟻「摩頂放踵」憑空築成橋樑，展現出強大的組織能力
- (D)秋行軍蟲專吃玉米、高粱、大豆等百餘種植物，近年在非洲、印度已造成龐大農作物損失，「黍離麥秀」，事態嚴重

2 「古人詩：『振衣千仞岡，濯足萬里流。』今人則必在萬目睽睽下振衣，一振衣而下座，掌聲雷動，乃始快意。千仞岡上，何人得見？海水浴場，亦必人群俱集，乃始成一場面。一人濯足，則何情味可言？故千仞之岡，則必組旅行隊；萬里之流，則必組游泳團。一人閒居，必感無聊。……一味兩味，可以下酒，可以過飯。食前方丈，乃無下箸處。今日人生必求方丈，下箸在他人目中，其無情無味，豈不顯然？」根據上文，下列選項最符合文意的是：

- (A)觀光遊賞，務求盡興
- (B)獨樂樂，不如眾樂樂
- (C)離群清靜，興味索然
- (D)時尚庸俗，情味盡失

3 君不見大澤中雉乎？五步一噉，終日乃飽，羽毛悅澤，光照於日月，奮翼爭鳴，聲響於陵澤者何？彼樂其志也。援置之困倉中，常噉梁粟，不旦時而飽，然猶羽毛憔悴，志氣益下，低頭不鳴。夫食豈不善哉？彼不得其志故也。（韓嬰《韓詩外傳》）根據上文，影響澤雉的關鍵因素是：

- (A)環境優劣
- (B)飲食多寡
- (C)成長快慢
- (D)自由與否

4 蜀道多山鬼，有小吏遠迓憲車，同徒數人。日將暮，見道旁一婦人，攜汲器，立溪側，小吏就丐飲，且挑狎之。婦人初無難色，談笑而道之，吏引手捫其胸臆間，皆青毛，長數寸，冷如冰。吏驚呼而走，婦人大笑，挈汲器，徐步而去。（郭象《睽車志》）

下列選項，何者符合本文所述？

- (A)小吏乘興駕車遊玩，敗興而歸
- (B)小吏對女一見鍾情，協助挑水
- (C)吏起色心圖謀不軌，反遭戲弄
- (D)蜀道之女莫測高深，技壓群吏

5 公明儀為牛彈清角之操，伏食如故。非牛不聞，不合其耳矣。轉為蚊虻之聲、孤犢之鳴，即掉尾、奮耳，蹀躞而聽。」（牟子〈理惑論〉）

下列選項，最符合此文寓意的是：

- (A)陽春白雪，難免曲高和寡
- (B)為人要擇善固執，堅持原則
- (C)朽木不可雕，毋須浪費心力
- (D)行事當因人、因事、因地制宜

- 6 「『甘棠』為今之棠梨或杜梨，春季滿樹開白色花。……召（邵）伯為周宣王大臣，住所有一株聽訟之甘棠，離職後，民眾懷念其治績，就精心保護這株樹，並建廟紀念之，謂之『甘棠遺愛』。」

以上所述民眾行為的心理，最近於下列何者？

- (A)愛屋及烏 (B)結草啣環 (C)永錫爾類 (D)仁民愛物
- 7 天空清藍淨潔，恍如一匹未經漿洗過的丹士林布。太陽剛剛昇出一竹竿高。一朵白雲在前面徘徊著。東南一角更湧起幾柱白中透點淺灰的雲朵。天，和雲，和山的倒影，靜靜地躺在注滿了水的田隴裡。犁田的人把它們和著土塊帶水犁起，它們就和田裡茂盛的青豆之類糾纏在犁頭上，像圍頸一般，犁走兩步就纏成一大堆，好像整塊田都掛在那裡了。」

上文中所描寫的天氣景象，下列何者形容最適當？

- (A)炎陽炙人 (B)風和日麗 (C)雲霞雕色 (D)雨過天青
- 8 操教醜熱酒一盃，與關公飲了上馬。關公曰：「酒且斟下，某去便來。」出帳提刀，飛身上馬。眾諸侯聽得關外鼓聲大振，喊聲大舉，如天摧地塌，嶽撼山崩，眾皆失驚。正欲探聽，鸞鈴響處，馬到中軍，雲長提華雄之頭，擲於地上，其酒尚溫。（羅貫中《三國演義》）

上文在關羽斬華雄的行動中融入置酒情節，是為了表現：

- (A)曹操設下考驗，關羽須在酒冷前得手 (B)關羽公私分明，不因酒混亂當務之急
(C)曹操心理矛盾，其實不希望華雄被斬 (D)關羽武藝高強，出手迅捷如探囊取物
- 9 「孔子行，聞哭聲甚悲。孔子曰：『驅，驅，前有賢者。』至則皋魚也，被褐擁鎌，哭於道傍。孔子辟車，與之言曰：『子非有喪，何哭之悲也。』皋魚曰：『吾失之三矣。少而學，游諸侯，以後吾親，失之一也。高尚吾志，閒吾事君，失之二也。與友厚而小絕之，失之三也。樹欲靜而風不止，子欲養而親不待也。往而不可得見者親也，吾請從此辭矣。』立槁而死。孔子曰：『弟子誡之，足以識矣。』於是門人辭歸而養親者十有三人。」（韓嬰《韓詩外傳》）

本文的意思是在強調：

- (A)為人臣者應以忠君愛國為上 (B)為人處世應知禮義孝悌之道
(C)為人子女應及時行孝以免徒留遺憾 (D)孔子以孝行為判斷賢良與否的標準
- 10 「沒有人喜歡迷路。曾經有個女孩告訴我：『迷路也是一種旅程，我們可以在迷路時發現額外的風景。』現在想起來我蠻贊同的。我們都不希望迷路，但如果迷路了也沒辦法，抱持正向的態度來面對，快樂地欣賞路上風景，也許會有意外的豐收呢！如果用負向的態度來面對，就可能不斷埋怨，心情很差，也沒有辦法在這多走的路途上有愉快的經歷。」

根據上文，下列選項最切合作者意旨的是：

- (A)迷路往往就是人生旅途的開始 (B)迷路也可以欣賞意想不到的風景
(C)山重水複疑無路，柳暗花明又一村 (D)人生就像一場冒險，要隨時調整方向

測驗式試題標準答案

考試名稱：109年公務人員特種考試關務人員、身心障礙人員考試及109年國軍上校以上軍官轉任公務人員考試

類科名稱：機械工程、資訊處理、紡織工程、化學工程、電機工程、關稅會計、一般行政

科目名稱：國文（作文、公文與測驗）（試題代號：2141）

單選題數：10題

單選每題配分：2.00分

複選題數：

複選每題配分：

標準答案：

更多關務考試科目的歷屆題庫
立即上網搜尋“關務考試歷屆考古題”
高鋒公職補習班整理
Line@帳號：@gaofeng
連絡電話：07-236-7296

題號	第1題	第2題	第3題	第4題	第5題	第6題	第7題	第8題	第9題	第10題
答案	B	D	D	C	D	A	B	D	C	B

題號	第11題	第12題	第13題	第14題	第15題	第16題	第17題	第18題	第19題	第20題
答案										

題號	第21題	第22題	第23題	第24題	第25題	第26題	第27題	第28題	第29題	第30題
答案										

題號	第31題	第32題	第33題	第34題	第35題	第36題	第37題	第38題	第39題	第40題
答案										

題號	第41題	第42題	第43題	第44題	第45題	第46題	第47題	第48題	第49題	第50題
答案										

題號	第51題	第52題	第53題	第54題	第55題	第56題	第57題	第58題	第59題	第60題
答案										

題號	第61題	第62題	第63題	第64題	第65題	第66題	第67題	第68題	第69題	第70題
答案										

題號	第71題	第72題	第73題	第74題	第75題	第76題	第77題	第78題	第79題	第80題
答案										

題號	第81題	第82題	第83題	第84題	第85題	第86題	第87題	第88題	第89題	第90題
答案										

題號	第91題	第92題	第93題	第94題	第95題	第96題	第97題	第98題	第99題	第100題
答案										

備註：

109年公務人員特種考試關務人員、身心障礙人員考試及
109年國軍上校以上軍官轉任公務人員考試試題

代號：4141
頁次：7-1

考試別：關務人員考試
等別：四等考試
類科：各科別
科目：英文
考試時間：1小時

更多關務考試科目的歷屆題庫
立即上網搜尋“關務考試歷屆考古題”
高鋒公職補習班整理
Line@帳號：@gaofeng
連絡電話：07-236-7296

座號：_____

※注意：(一)本試題為單一選擇題，請選出一個正確或最適當的答案，複選作答者，該題不予計分。
(二)本科目共50題，每題2分，須用2B鉛筆在試卡上依題號清楚劃記，於本試題上作答者，不予計分。
(三)禁止使用電子計算器。

- 1 World Trade Organization rules required Taiwan to open its markets to price-competitive _____ including food items.
(A) interchange (B) imports (C) income (D) intakes
- 2 The International Olympic Committee announced there would be a team of _____ in Rio 2016, who escaped from their own country because of war.
(A) explorers (B) gangsters (C) refugees (D) supervisors
- 3 One of the more frightening _____ of avalanches is that people can be covered by a deep layer of snow, unable to escape.
(A) determinants (B) predecessors (C) benedictions (D) consequences
- 4 If you want to increase the credit card application approval rate, you need to be _____ because credit card issuers often set the credit limit according to your salary.
(A) employed (B) operated (C) renewed (D) validated
- 5 Louise has two _____ buyers for her paintings. She feels certain that one of them will purchase some of her works.
(A) constructive (B) attractive (C) prospective (D) defensive
- 6 Mentors gain the satisfaction of helping students understand the unfamiliar and often _____ world they will face.
(A) affluent (B) cozy (C) daunting (D) secure
- 7 People think CO thinks the ozone _____ that protects us from the sun's rays.
(A) label (B) level (C) layer (D) lever
- 8 If you are planning to _____, Canada may be a good destination.
(A) allocate (B) emigrate (C) immigrate (D) accommodate
- 9 Before printing, the making of a book was a _____ process, full of chances for error.
(A) convenient (B) glorious (C) laborious (D) mutual

- 10 Though we have discovered and named more than one million species, tens of millions of animals and plants have yet to be _____.
(A) fetched (B) implied (C) neglected (D) identified
- 11 Tim did not want to move, but with the rent going up, he has no _____.
(A) admission (B) alternative (C) ambition (D) arrangement
- 12 The life of the Amazon tribe is very _____. People make clothes from leaves and leather.
(A) prominent (B) primary (C) primitive (D) profound
- 13 Many people want to look like this movie star because he has an _____ appearance.
(A) abstract (B) accurate (C) apparent (D) attractive
- 14 Military war dogs, like combat soldiers, also _____ from post-traumatic stress disorder.
(A) suffer (B) proffer (C) differ (D) buffer
- 15 Legend has it that a crystal ball helps the Gypsy fortune teller _____ the future.
(A) attract (B) discard (C) predict (D) upset

請依下文回答第 16 題至第 20 題

Alan Geaam was born into a Lebanese family living in Liberia. They lost everything in the civil war and were forced to return to Beirut, Lebanon, only to 16 again in more armed conflicts. At the age of 19, he embarked on a nomadic journey to seek a better life. He lived in the US, Italy, and the Czech Republic before he arrived in Paris. 17 he was unable to speak French, he managed to find work in a variety of restaurant kitchens, starting out as a dishwasher. One night, the cook cut his hand and had to go to hospital. Geaam took over and fed the customers. At the end of the night, all of the customers were delighted.

Geaam's 18 with food was evident in his childhood. He liked to watch cookery shows on television after school rather than cartoons. He started cooking while doing his national service in Lebanon. The colonel of his regiment was so impressed that he 19 him his personal chef.

Today Geaam is the chef of his Michelin-starred restaurant, located in the center of Paris. "I thought the Michelin guide was about chefs in big fancy hotels or those trained by great masters. But it turned out to be the 20! I can't believe they would be interested in someone like me, who was self-taught and had to sleep in the street at 19," said the 43-year-old Michelin-starred chef.

- 16 (A) intervene (B) commit (C) struggle (D) discriminate
- 17 (A) Before (B) Since (C) Once (D) Although
- 18 (A) tolerance (B) fascination (C) dignity (D) standard
- 19 (A) proved (B) requested (C) made (D) served
- 20 (A) excessive (B) opposite (C) adventurous (D) ultimate

請依下文回答第 21 題至第 25 題

It is often said that your personal value is not what you know, but who you know. The most important lesson to learn from the best-connected 21 is that little of their networking activity is carried out with any specific business goal in mind. They 22 their effort on people they most like and who seem to like them back. However, according to Europe's leading business networking strategist, Andy Lopata, connection is not enough. It is important also to determine how well your 23 understand what you do and then how inspired they might be to provide a referral. The chances of receiving a referral are greatly 24 if they know you have a high level of trust, and they understand exactly what you do, what problems you solve, and how you help people. Expert networkers work on the basis that if you connect with your network on mutually beneficial basis, the financial rewards will flow. Successful networking should be 25 and altruistic, giving referrals without remembering your simple favor, and receiving them without forgetting their kind gift.

- | | | | | |
|----|---------------|----------------|-----------------|-------------------|
| 21 | (A) investors | (B) indicators | (C) individuals | (D) investigators |
| 22 | (A) convey | (B) conduct | (C) condense | (D) concentrate |
| 23 | (A) contacts | (B) concerns | (C) contracts | (D) contents |
| 24 | (A) implied | (B) included | (C) increased | (D) impressed |
| 25 | (A) selfish | (B) selfless | (C) subjective | (D) subjectless |

請依下文回答第 26 題至第 30 題

With the rapid development of the social media on the Internet, people nowadays depend heavily on using it as a major means of communication with other people. The popularity of social media such as Line lies in its offer of differing functions to the public. Not only 26 allow people to communicate with others online, it can also enable them to share and exchange information between each other. As a more democratic kind of media than others such as TV and radio, social media like Line provides many-to-many communications. 27, people who use it can set up a group and chat with many people in the group all at the same time. And if two or more people are using it in the meantime, it can become instant as people can text messages to each other and get the responses from each other immediately. One more 28 of using the Line is that sometimes it can help people re-connect with those friends with whom they have long lost contact.

Although Line gives people many benefits, it still has its limitation. Despite that people are able to know whether their sent messages are read or not, it also puts them in a difficult situation sometimes. 29 people read the messages, they might not have the time or decide not to reply to any unwanted or hard-to-reply messages. If this happens, it could cause unnecessary misunderstanding and confusion between people. 30, some people prefer making a phone call to texting messages through Line because they think that real interactions between people can only occur when people can hear each other's voice or see each other face to face. No matter what it is, people need to adjust themselves to the changes the technology has made to their daily life.

- | | | | | |
|----|----------------|------------------------|------------------------|--------------------|
| 26 | (A) it does | (B) does it | (C) has it | (D) it has |
| 27 | (A) It is said | (B) There is no wonder | (C) As the saying goes | (D) That is to say |
| 28 | (A) advantage | (B) participant | (C) glimpse | (D) tendency |
| 29 | (A) But | (B) For | (C) Once | (D) Unless |
| 30 | (A) In case | (B) As though | (C) Just as | (D) In addition |

請依下文回答第 31 題至第 35 題

Nowadays, in public or private places, we tend to scroll mindlessly through our social media feeds when we have a few spare minutes (or for some, hours). And as we probably know intuitively, and as the research is confirming, it is not the best habit when it comes to our collective psychology.

The American Academy of Pediatrics has warned about the potential for negative effects of social media in young kids and teens, including cyber-bullying and “Facebook depression.” But the same risks may be true for adults, across generations. A review study suggests “Facebook Addiction Disorder” because addiction criteria, such as neglect of personal life, mental preoccupation, escapism, mood modifying experiences, tolerance and concealing the addictive behavior, appear to be present in some people who use social networks excessively. A study also shows when people stop using the Internet, they also undergo small but measurable physiological effects.

Rather than enhancing well-being, as frequent interactions with supportive offline social networks powerfully do, the current findings demonstrate that interacting with Facebook may predict the opposite result for young adults—it may **undermine** it. In fact, another study found that social media use is linked to greater feelings of social isolation, mentally and physically.

Facebook is also a jealousy generator. We fall into the trap of comparing ourselves to others as we scroll through our feeds, and make judgments about how we measure up. One study looked at how we make comparisons to others posts, in “upward” or “downward” directions—that is, feeling that we are either worse or better off than our friends. It turned out that both types of comparisons made people feel worse, which is surprising, since in real life, only upward comparisons (feeling another person has it better than you) makes people feel bad. But in the social network world, it seems that any kind of comparison is linked to depressive symptoms.

All of this is not to say that there is no benefit to social media—obviously it keeps us connected across great distances, and helps us find people we had lost touch with years ago. But getting on social networks when you have some time to kill, or, worse, need an emotional lift, is very likely a bad idea. If you are feeling brave, try taking a little break, and see how it goes. And if you are going to keep “using,” then at least try to use in moderation.

- 31 What is the main idea of this passage?
- (A) Aware of social networks’ disadvantages, people should use them moderately.
(B) Social networks are good things that keep people connected across distances.
(C) Comparing ourselves with others is not healthy and may bring frustration.
(D) People nowadays spend too much time scrolling social media feeds.
- 32 Why do researchers define “using Facebook excessively” as addicted behavior?
- (A) People spend too much money and time browsing feeds.
(B) The behavior meets some addiction standards and has withdrawal symptoms.
(C) People rely on them to have emotional lifts when they are upset.
(D) Facebook use is linked to feelings of social isolation, mentally and physically.
- 33 According to the context, what does the word “undermine” mean?
- (A) Resolve. (B) Realize. (C) Damage. (D) Determine.
- 34 Why does the author think that Facebook is a jealousy generator?
- (A) It reminds people they have fewer friends. (B) It forces people to respond to posts.
(C) It brings about unconscious comparisons. (D) It urges people to buy new smartphones.
- 35 According to this passage, which of the following statements is NOT true?
- (A) When we are feeling brave, we should take a break and get rid of Facebook.
(B) From a collective psychology viewpoint, social networks have negative effects.
(C) While social networks benefit people in some ways, we should be more cautious using them.
(D) In Facebook posts, only upward comparisons may cause depressive symptoms.

請依下文回答第 36 題至第 40 題

If you want to know where Google is headed, look through Google Lens. The artificially intelligent, augmented reality feature seemed to generate the most interest at Google’s developer conference. Of all announcements, it best **encapsulated** what Google’s transition to an “AI first” company means. Google’s CEO Sundar Pichai underscored the tool as a key reflection of Google’s direction. “All of Google was built because we started understanding text and web pages. So the fact that computers can understand images and videos has profound implications for our core mission,” he said so in his introduction of Lens.

During a demo, Google showed off how you could point your camera at something and Lens would tell you what it is—like, it could identify the flower you’re preparing to shoot. In another example, Pichai showed how Lens could do a common task—connecting you to a home’s Wi-Fi network by snapping a photo of the sticker on the router. A third example was a photo of a business’s storefront—and Google Lens could pull up the name, rating and other business listing information in a card that appeared over the photo.

The technology basically turns the camera from a passive tool that’s capturing the world around you to one that’s allowing you to interact with what’s in your camera’s viewfinder. Later, during a Google Home demonstration, the company showed how Lens would be integrated into Google Assistant. Through a new button in the Assistant app, users will be able to launch Lens and insert a photo into the conversation with the Assistant, where it can process the data the photo contains. To show how this could work, Google’s Scott Huffman holds his camera up to a concert marquee for a Stone Foxes show and Google Assistant pulls up info on ticket sales. “Add this to my calendar,” he says—and it does. The integration of Lens into Assistant can also help with translations. Huffman demonstrates this by holding up his camera to a sign in Japanese, tapping the Lens icon and saying “What does this say?” Google Assistant then translates the text.

Pichai said in his founders’ letter a year ago that part of this shift to being an AI first company meant computing would be less device-centric. Lens is an example of being less device-centric, on mobile. The technology behind Lens is essentially nothing new, and that also tells us something about where Google is going. This is not to say that Google is done coming up with new technologies, but that there are a lot of capabilities the company is still putting together into useful products.

- 36 In the first paragraph, what does “the tool” refer to?
(A) Google Lens (B) Google Assistant (C) artificial intelligent (D) augmented reality
- 37 Which of the following words has the closest meaning to the word “encapsulate” in the first paragraph?
(A) expand (B) summarize (C) release (D) convert
- 38 According to Paragraph 2 and 3, which of the following tasks CANNOT be done by Google Lens?
(A) To tell you what you see.
(B) To turn on a home wifi router by snapping a photo at it.
(C) To provide restaurant ratings and phone number.
(D) To translate a sign in a different language with Google Assistant.
- 39 According to the passage, which of the following is NOT true?
(A) Google is shifting its emphasis on high tech devices such as Google Assitant.
(B) Google’s core mission centers around the computer application of image processing.
(C) Google Lens can be integrated into Google Assistant for tasks.
(D) Google is focusing on providing useful products that utilizes artificial intelligence.
- 40 According to this passage, why does Google Lens represent Google’s future direction?
(A) Google Lens serves as a great search engine for text and web pages.
(B) Google Lens serves as an active tool that captures the world around us.
(C) Google Lens utilizes artificial intelligence to retrieve data from images.
(D) Google Lens is a new device that provides translation with AI technology.

請依下文回答第 41 題至第 45 題

For some people, summer is the time to head indoors to exercise. But others welcome the heat as a way to sweat more and get a better workout.

Indeed, I've long regarded the sweatiness of my exercise sessions as a sign of how hard I was pushing myself. But it turns out I've been wrong: How much you sweat doesn't necessarily correlate with how intense your workout is or how many calories you burn.

When your body temperature rises, your eccrine glands secrete sweat, and the evaporation of moisture from your skin helps you cool off. Of course, sweating can occur for other reasons, such as stress or fear. That type of sweat comes from the apocrine glands, which are located mainly in the underarm and groin.

How much we sweat during exercise is due to a number of factors, including gender (men tend to sweat more than women) and age (younger people sweat more than older people) as well as genetics, temperature and humidity. Weight plays a role as well. Larger people tend to sweat more, because their bodies generate more heat. Another contributor is fitness level. Surprisingly, fit people tend to sweat sooner during exercise and more copiously than those who are less fit. Research suggests that as your fitness level improves, your body's heat-regulating system becomes more efficient, cooling you down faster and allowing you to work harder.

Don't be misled by the loss of a few pounds after a high-sweat workout. This is simply water weight that you gain back when you **rehydrate** and doesn't necessarily mean you've burned lots of calories.

- 41 Which of the following titles can best describe the passage?
- (A) Why do people sweat during exercise?
(B) Does more sweating mean a more intense workout?
(C) How does your body's heat-regulating system function?
(D) What are the possible ways of losing weight?
- 42 According to the passage, why do some people like the heat in summer?
- (A) They believe the heat leads to a better workout.
(B) They like the outdoor exercise.
(C) They know our skin helps us cool off.
(D) They feel stressful during exercise.
- 43 Which of the following statements about sweatiness is correct?
- (A) The more sweat you generate, the more calories you burn.
(B) Seniors tend to sweat more than youngsters.
(C) Humidity does not affect how much you sweat.
(D) Sweatiness correlates with the heat-regulating system.
- 44 Which of the following items is NOT a factor for the amount of sweat during exercise?
- (A) Gender. (B) Weight. (C) Fitness. (D) Calory.
- 45 What does the word "rehydrate" mean?
- (A) Absorb moisture. (B) Take a break. (C) Exercise again. (D) Lead a highlife.

請依下文回答第 46 題至第 50 題

Researchers have found out that early life misfortune or stress can significantly decrease the size of brain regions which are typically associated with emotional processing and control. To contextualize the obtained brain data, scientists interviewed the children's parents. Both the brain data and the interview data suggested that when early-life misfortune becomes the norm of life, the nervous system would be overwhelmed and result in depression, obsessive compulsive disorder (OCD), anxiety, cancer, and even lack of career success in adulthood. Importantly, kids who experienced early-life misfortune often suffered from unconscious blackout of brain, and losing track of time.

According to scientists, these physiological problems happen as a result of nervous system's reaction to protect ourselves. Furthermore, many children who suffered from early-life adversity reported that they tend to be **uncommunicative** to anyone with exception to their best friends and tend to interpret everyday experiences from a negative lens. But this does not mean that the life path of these children cannot be changed. Many participants of the study reported that the encouragement from family members and school teachers gradually develops their confidence; many of them reported doing well in school subjects, especially in math, and were able to gradually get rid of horrible thoughts with the help from friends and family members.

- 46 Which of the following would be the best title for this passage?
- (A) The Biological Basis for the Children's Cognition System
 - (B) The Effects of a Brain Treatment on Kids Suffering from Early-life Misfortune
 - (C) Impacts of Early-life Misfortune on Later Biological and Mental Development
 - (D) Ways to Improve the Well-being of Children Suffering from Mental Problems
- 47 According to the passage, which of the following statements is NOT true?
- (A) Early-life misfortune may decrease the size of the brain, which in turn may lead to many mental problems.
 - (B) The mental impacts on kids suffering from early-life misfortune can be changed through external forces.
 - (C) Impacts of early-life misfortune on children can never be changed or adjusted.
 - (D) Children suffering from early-life misfortune tend to have interpersonal and social issues.
- 48 Which of the following words best describes the author's attitude toward the impacts of the supports from the family on the kids suffering from early-life misfortune?
- (A) negative
 - (B) hopeful
 - (C) distrustful
 - (D) neutral
- 49 Which of the following words has the closest meaning to the word "uncommunicative" in the passage?
- (A) chatty
 - (B) innovative
 - (C) eloquent
 - (D) inexpressive
- 50 According to the passage, which of the following domains may NOT be affected by children's early-life misfortune?
- (A) brain
 - (B) mental
 - (C) interpersonal
 - (D) conscience

測驗式試題標準答案

考試名稱：109年公務人員特種考試關務人員、身心障礙人員考試及109年國軍上校以上軍官轉任公務人員考試

類科名稱：化學工程、關稅會計、機械工程、電機工程、紡織工程、一般行政、資訊處理

科目名稱：英文（試題代號：4141）

更多關務考試科目的歷屆題庫
立即上網搜尋“關務考試歷屆考古題”
高鋒公職補習班整理
Line@帳號：@gaofeng
連絡電話：07-236-7296

單選題數：50題

單選每題配分：2.00分

複選題數：

複選每題配分：

標準答案：

題號	第1題	第2題	第3題	第4題	第5題	第6題	第7題	第8題	第9題	第10題
答案	B	C	D	A	C	C	C	B	C	D

題號	第11題	第12題	第13題	第14題	第15題	第16題	第17題	第18題	第19題	第20題
答案	B	C	D	A	C	C	D	B	C	B

題號	第21題	第22題	第23題	第24題	第25題	第26題	第27題	第28題	第29題	第30題
答案	C	D	A	C	B	B	D	A	C	D

題號	第31題	第32題	第33題	第34題	第35題	第36題	第37題	第38題	第39題	第40題
答案	A	B	C	C	D	A	B	B	A	C

題號	第41題	第42題	第43題	第44題	第45題	第46題	第47題	第48題	第49題	第50題
答案	B	A	D	D	A	C	C	B	D	D

題號	第51題	第52題	第53題	第54題	第55題	第56題	第57題	第58題	第59題	第60題
答案										

題號	第61題	第62題	第63題	第64題	第65題	第66題	第67題	第68題	第69題	第70題
答案										

題號	第71題	第72題	第73題	第74題	第75題	第76題	第77題	第78題	第79題	第80題
答案										

題號	第81題	第82題	第83題	第84題	第85題	第86題	第87題	第88題	第89題	第90題
答案										

題號	第91題	第92題	第93題	第94題	第95題	第96題	第97題	第98題	第99題	第100題
答案										

備註：

109年公務人員特種考試關務人員、身心障礙人員考試及
109年國軍上校以上軍官轉任公務人員考試試題

代號：1141
頁次：8-1

考試別：關務人員考試、身心障礙人員考試
等別：四等考試
類科：各科別、各類科
科目：法學知識（包括中華民國憲法、法學緒論）
考試時間：1小時

更多關務考試科目的歷屆題庫
立即上網搜尋“關務考試歷屆考古題”
高鋒公職補習班整理
Line@帳號：@gaofeng
連絡電話：07-236-7296

座號：_____

- ※注意：(一)本試題為單一選擇題，請選出一個正確或最適當的答案，複選作答者，該題不予計分。
(二)本科目共 50 題，每題 2 分，須用 2B 鉛筆 在試卡上依題號清楚劃記，於本試題上作答者，不予計分。
(三)禁止使用電子計算器。

- 根據司法院大法官解釋意旨，下列有關言論自由之敘述，何者錯誤？
 - 旨在保障人民發表意見與取得資訊之自由
 - 受保障之言論，不限於政治性言論
 - 受保障之言論，依其不同性質而受不同程度之保障
 - 商品標示僅屬事實資訊，不受言論自由之保障
- 依憲法、增修條文及司法院大法官解釋，下列何者不屬於狹義司法權的作用？
 - 憲法解釋
 - 民事、刑事、行政訴訟之裁判
 - 公訴權之行使
 - 公務員懲戒之審理
- 依司法院大法官解釋，關於宗教自由的限制，下列敘述何者正確？
 - 人民基於宗教信仰，得拒絕服兵役
 - 國家得立法要求所有宗教團體成立財團法人
 - 國家對於寺廟財產經營、管理、處分的管制，構成對宗教自由的侵害
 - 內在信仰自由受絕對保障
- 依司法院大法官解釋，關於憲法保障秘密通訊自由，下列敘述何者錯誤？
 - 與維護個人資料之自主控制無關
 - 保障範圍包括通訊之有無、對象、時間、方式及內容等事項
 - 通訊監察侵害人民基本權利之程度強烈，範圍廣泛，應由獨立、客觀之審判機關事前審查
 - 受刑人之秘密通訊自由受憲法保障
- 下列何者不屬於憲法第 11 條表意自由所保障的權利主體？
 - 清理廣告物的廢棄物清運業者
 - 投放網路廣告的業者
 - 臉書粉絲專頁的小編
 - 地下電臺的營運業者

- 6 依司法院大法官解釋，下列有關誹謗言論之敘述，何者正確？
- (A)行為人必須證明其誹謗言論之內容乃百分之百真實，方能免於刑責
 - (B)自訴人僅須證明自己名譽受損，行為人即應負誹謗之責
 - (C)法院以判決命加害人公開道歉，作為回復名譽之適當處分，無抵觸憲法之疑慮
 - (D)法院依行為人所提證據資料，認為行為人有相當理由確信其言論內容為真，即可免於刑罰
- 7 依司法院大法官解釋意旨，關於軍事審判之對象及適用範圍，下列敘述何者正確？
- (A)軍事審判機關所行使者，係屬國家之刑罰權，具備司法權之性質
 - (B)凡具有軍人身分者，皆應接受軍事審判，除役者亦同
 - (C)軍事審判機關對於軍人之犯罪享有專屬之審判權
 - (D)軍人之行為與紀律，不分平時或戰時，皆應以同一標準待之，故軍事審判於平時或戰時均一體適用
- 8 依司法院大法官解釋，有關姓名權之敘述，下列何者錯誤？
- (A)屬人格權之一
 - (B)其性質為防禦權
 - (C)姓名不雅之改名權僅得依客觀認定之
 - (D)包括更名權
- 9 下列何者非屬憲法明文列舉之權利？
- (A)公眾接近使用媒體之權利
 - (B)個人資訊隱私權
 - (C)大學教授之學術自由
 - (D)個人消極之不表意自由
- 10 依司法院大法官解釋，人民有隨時任意前往他方或停留一定處所之行動自由，此一行動自由與下列憲法權利中之何者，較不相關？
- (A)憲法第 157 條所保障的生存權
 - (B)憲法第 8 條所保障的人身自由
 - (C)憲法第 10 條所保障的遷徙自由
 - (D)憲法第 22 條所保障的一般行為自由
- 11 依司法院大法官解釋，關於婚姻自由，下列敘述何者錯誤？
- (A)民法婚姻章規定結婚限於不同性別之一男一女，係屬對婚姻自由內涵之形成，不構成基本權之限制
 - (B)為經營共同生活之目的，成立具有親密性及排他性之永久結合關係之需求，攸關人格健全發展與人性尊嚴之維護
 - (C)成立親密、排他之永久結合之需求，與個人性傾向無涉
 - (D)適婚而無配偶之人民有結婚自由，包含是否結婚及與何人結婚之自由

- 12 依司法院釋字第 490 號解釋意旨，兵役法規定中華民國男子有服兵役義務，並不涉及下列何種基本權利？
(A)人性尊嚴 (B)男女平等 (C)宗教自由 (D)結社自由
- 13 依司法院大法官解釋，關於憲法平等權之敘述，下列何者錯誤？
(A)得作為個人所享有之公權利，人民可以透過訴訟途徑，請求其實現
(B)性別工作平等法要求雇主對於受僱者之退休、資遣、離職及解僱，不得因性別或性傾向而有差別待遇
(C)限制大陸地區配偶設有戶籍滿 10 年始得擔任公務員，係為確保國家安全、民眾福祉暨維護自由民主憲政秩序所為之合理差別待遇
(D)將按摩業限制僅有視障者得從事，係考量視障者與非視障者本質上之不同，所給予之合理優惠性差別待遇
- 14 依司法院大法官解釋意旨，下列何者不屬於財產權保障之範圍？
(A)商業廣告 (B)捐贈器官
(C)商標專用權 (D)共有物分割請求權
- 15 下列何者不屬於憲法第 18 條應考試服公職權之保障範圍？
(A)登記參加直轄市市長選舉
(B)擔任公立醫院中以公務人員身分任用之護理師
(C)參加專門職業及技術人員中醫師考試
(D)參加教育部高中以下教師資格檢定考試
- 16 關於憲法第 16 條保障人民訴訟權，下列敘述何者錯誤？
(A)屬於憲法之制度性保障
(B)具有防禦權利免於公權力侵害之功能
(C)具有組織與程序保障功能
(D)具有基本權利第三人效力功能
- 17 關於立法委員之選舉，憲法增修條文有何女性保障之規定？
(A)區域立法委員應有女性保障名額
(B)原住民立法委員應有不低於二分之一之女性
(C)全國不分區及僑居國外國民之各政黨當選名單中對女性有特別名額之保障
(D)全國不分區及僑居國外國民之立法委員，婦女比例不得低於三分之一

- 18 依憲法及司法院大法官解釋，有關立法委員之言論免責權，下列敘述何者正確？
- (A)立法委員於院會時之肢體動作，均無言論免責權之保障
 - (B)有人民因立法委員之質詢而提起刑事誹謗罪之告訴，檢察官仍得進行偵查程序
 - (C)立法委員言論免責權之免責範圍，不包括民事賠償責任
 - (D)立法院得經多數決議，暫停部分立委於特定會議之言論免責權
- 19 立法院與行政院間如發生政策或權限爭議，下列何者不是憲法、增修條文或司法院大法官解釋所定之解決方法？
- (A)行政院變更重要政策時，應適時向立法院進行報告，並備質詢
 - (B)立法院得經全體立法委員三分之一以上連署，對行政院院長提出不信任案
 - (C)行政院如認為立法院通過之法律案窒礙難行，得解散立法院
 - (D)如涉及預算案之爭議，行政院得經總統核可後，向立法院提出覆議案
- 20 下列何者並非憲法增修條文之規定？
- (A)總統解散立法院之命令無須行政院院長副署
 - (B)總統得由立法院提議彈劾
 - (C)總統任命行政院院長無需立法院同意
 - (D)國家安全大政方針係由行政院院長決定
- 21 關於總統、副總統、行政院院長職位之敘述，下列何者錯誤？
- (A)總統缺位時，由副總統繼任，至總統任期屆滿為止
 - (B)總統、副總統均缺位時，由行政院院長代行其職務
 - (C)副總統與行政院院長二者職務性質非顯不相容
 - (D)副總統兼任行政院院長，無違憲法設置此二職務之意旨
- 22 依現行規定，下列何者不得聲請大法官憲法解釋？
- (A)人民因工作權遭受不法侵害，經依法定程序提起訴訟，對於確定終局裁判所適用之法令聲請解釋
 - (B)中央選舉委員會於審查公民投票提案時，認為提案內容牴觸憲法，聲請解釋
 - (C)法務部於行使職權適用憲法時發生疑義，層轉行政院提出聲請
 - (D)嘉義地方法院法官於審理案件時，合理確信其應適用之法律有牴觸憲法之疑義，且顯然對該案件之裁判結果具有影響，裁定停止訴訟提出聲請

- 23 依憲法增修條文及相關法律規定，下列關於司法院大法官之敘述，何者錯誤？
- (A)由總統提名，立法院同意任命
 - (B)為憲法第 80 條所稱之法官，享有終身職之保障
 - (C)除有法令違憲審查權外，亦審理地方自治保障事項之爭議
 - (D)審理政黨違憲之解散案件時，原則上應經言詞辯論
- 24 依憲法增修條文，政黨違憲之解散事項，屬於下列何者之職權？
- (A)中央選舉委員會
 - (B)行政院政黨審議委員會
 - (C)司法院大法官所組成之憲法法庭
 - (D)內政部
- 25 依憲法第 80 條規定，應依據法律獨立審判之法官，不包括下列何者？
- (A)司法院大法官
 - (B)行政法院法官
 - (C)普通法院審判長
 - (D)地方檢察署檢察官
- 26 歐洲法之根源為：
- (A)埃及法
 - (B)羅馬法
 - (C)波斯法
 - (D)印度法
- 27 有關用益物權消滅之敘述，下列何者錯誤？
- (A)地上權消滅時，地上權人得取回其非建築物之工作物。但應回復土地原狀
 - (B)不動產役權消滅時，不動產役權人取回設置物前，應通知土地所有人。
土地所有人願以時價購買者，不動產役權人非有正當理由，不得拒絕
 - (C)地上權之工作物為建築物者，如地上權因拋棄而消滅，地上權人得請求
土地所有人按該建築物之時價為補償
 - (D)農育權消滅時，農育權人原則上得取回其土地上之出產物
- 28 下列何者非屬間接法源？
- (A)解釋
 - (B)判例
 - (C)法理
 - (D)命令
- 29 關於清末法律西方化之敘述，下列何者錯誤？
- (A)我國民法典之濫觴為大清民律草案
 - (B)大清民律草案係以英美法為基礎
 - (C)大清民律草案已經建構總則、債權、物權、親屬及繼承的五編架構
 - (D)大清民律草案為現行民法起草時之重要參考對象

- 30 有關法令違憲之敘述，下列何者錯誤？
(A)命令之違憲審查，在我國採分散審查制
(B)司法院大法官才有廢棄違憲命令之權限
(C)行政法院及一般法院就所審理之案件適用之命令得進行審查
(D)法律違憲，僅限於法律內容違反憲法規定或原則，不包括其制定違反憲法有關立法程序之規定
- 31 下列何者非現行形式意義之法律？
(A)精神衛生法 (B)前瞻基礎建設特別條例
(C)地方稅法通則 (D)戰時軍律
- 32 法規明定自公布或發布日施行者，自何時起發生效力？
(A)自公布或發布之日起算至第 7 日起發生效力
(B)自公布或發布之日起算至第 3 日起發生效力
(C)自公布或發布之次日起算至第 7 日起發生效力
(D)自公布或發布之次日起算至第 3 日起發生效力
- 33 民法第 13 條第 3 項：「未成年人已結婚者，有行為能力。」某甲今年甫滿 17 歲並已經結婚，依上述規定可得知其已經具備民法上之完全行為能力。此等解釋乃運用下列何種法律解釋之方法？
(A)限縮解釋 (B)擴張解釋 (C)歷史解釋 (D)文義解釋
- 34 民法親屬編施行法第 4 條規定：「民法親屬編關於婚約之規定，除第 973 條之外，於民法親屬編施行前，所訂之婚約亦適用之。」本條屬於下列何者之例外規定？
(A)溯及既往禁止原則 (B)誠實信用原則
(C)法律保留原則 (D)比例原則
- 35 下列何者不是憲法所保障之人民基本權利？
(A)生存權 (B)平等權 (C)參政權 (D)刑事豁免權
- 36 某甲將駕駛執照借給某乙，依道路交通處罰條例規定最高僅得吊扣駕駛執照 3 個月，但主管機關將某甲之駕駛執照永久吊扣，此舉屬於下列何種情形？
(A)裁量逾越 (B)裁量收縮 (C)裁量怠惰 (D)裁量濫用
- 37 下列何者非屬於不動產？
(A)輕便軌道繼續附著於土地而達其一定經濟上目的者
(B)土地上之建築物
(C)尚未完全完工之房屋，已足以遮風避雨，可達經濟上使用目的者
(D)慶典之牌樓

- 38 依民法之規定，下列有關要約拘束力之敘述，何者正確？
(A)要約經拒絕者，不失其拘束力
(B)要約未定有承諾期限者，要約無拘束力
(C)要約定有承諾期限者，非於期限內為承諾者，失其拘束力
(D)非對話為要約者，非立即承諾即失其效力
- 39 甲、乙為夫妻，育有未成年子女丙，甲尚有妹妹丁，祖母戊，以及父親己；甲之遺產繼承人，除配偶乙之外，係以何順序排列？
(A)丙丁戊己 (B)丙己丁戊 (C)己丙戊丁 (D)丙丁己戊
- 40 無主物先占取得動產所有權，該取得物權是：
(A)設定取得 (B)移轉取得 (C)原始取得 (D)繼受取得
- 41 關於不作為犯之敘述，下列何者錯誤？
(A)純正不作為犯，係行為人只能以不作為的方式，實現刑法上所定之犯罪行為
(B)不純正不作為犯須具有保證人地位
(C)純正不作為犯不須具有保證人地位
(D)刑法第 149 條公然聚眾不遵令解散罪為不純正不作為犯
- 42 甲是中華民國某市籍遠洋漁船的船員，船隻停泊非洲某共和國期間，甲在船上毆打印尼籍船員乙，導致乙身體多處瘀傷。我國刑法第 277 條第 1 項傷害罪之法定刑為「三年以下有期徒刑、拘役或一千元以下罰金」。關於本案，下列敘述何者正確？
(A)根據國籍原則，中華民國刑法對本案有適用效力
(B)根據世界法原則，中華民國刑法對本案有適用效力
(C)若乙是中華民國國民，則根據保護原則，中華民國刑法對本案有適用效力
(D)若甲不是中華民國國民，中華民國刑法對本案沒有適用效力
- 43 下列何者並非現行刑法所承認的刑罰種類？
(A)自由刑 (B)生命刑 (C)身體刑 (D)財產刑
- 44 關於著作財產權受侵害之民事救濟，不包括下列何者？
(A)排除侵害請求權 (B)判決書登載新聞紙或雜誌請求權
(C)損害賠償請求權 (D)回復名譽請求權
- 45 依消費者保護法之規定，關於定型化契約及審閱期間之相關規範，下列敘述何者正確？
(A)企業經營者得預先約定限制對消費者或第三人之損害賠償責任
(B)企業經營者得以定型化契約條款約定消費者拋棄審閱期間
(C)企業經營者主張定型化契約條款已提供合理審閱期間者，應就該事實負舉證責任
(D)定型化契約之審閱期間固定為 30 日，不容許契約當事人任意更改

- 46 關於董事及監察人候選人提名制度，下列敘述何者錯誤？
- (A)採用董事及監察人候選人提名制度之公司，應載明於章程
 - (B)繼續 1 年以上，持有已發行股份總數百分之三股份之股東，始得以書面向公司提出董監事候選人名單
 - (C)採用董事及監察人候選人提名制度之公司，除符合一定條件之股東可提名外，公司董事會亦可提名
 - (D)採用董事及監察人候選人提名制度之公司，股東應就董監事候選人名單中選出董事及監察人
- 47 下列何者不具全民健康保險法所定之投保資格？
- (A)設籍於臺北市，甫滿周歲之新生兒甲
 - (B)領有居留證明文件，已於臺灣連續居住 8 個月之日本籍拉麵師傅乙
 - (C)領有居留證明文件，已於臺灣連續居住 5 個月未就業之英國籍人士丙
 - (D)領有居留證明文件，已於臺灣連續居住 4 個月，受僱於經登記之補教業者之德國人丁
- 48 依勞動基準法第 15 條之 1 規定，有關雇主與勞工為最低服務年限之約定，下列何者錯誤？
- (A)雇主為勞工進行專業技術培訓，並提供該項培訓費用者，雇主得與勞工為最低服務年限之約定
 - (B)最低服務年限之約定，應綜合考量雇主為勞工進行專業技術培訓之期間及成本
 - (C)最低服務年限之約定，應綜合考量雇主提供勞工補償之額度及範圍
 - (D)最低服務年限之約定，不用考量從事相同或類似職務之勞工，其人力替補可能性
- 49 受僱者申請下列何種促進工作平等措施之假期，應以書面提出？
- (A)產假
 - (B)陪產假
 - (C)生理假
 - (D)育嬰留職停薪
- 50 依性別工作平等法第 5 條之規定，為審議、諮詢及促進性別工作平等事項，各級主管機關應設性別工作平等會。該會應由具備勞工事務、性別問題之相關學識經驗或法律專業人士擔任之，其中委員性別比例如何？
- (A)單一性別委員人數應占全體委員人數三分之一以上
 - (B)無性別比例限制，但須經勞工團體、女性團體推薦之委員各 2 人
 - (C)女性委員人數應占全體委員人數二分之一以上
 - (D)男性委員人數應占全體委員人數二分之一以上

測驗式試題標準答案

考試名稱：109年公務人員特種考試關務人員、身心障礙人員考試及109年國軍上校以上軍官轉任公務人員考試

類科名稱：化學工程、電機工程、關稅會計、紡織工程、一般行政、資訊處理、機械工程、財稅行政、一般民政、衛生技術、電子工程、執達員、人事行政、經建行政、戶政、社會行政

科目名稱：法學知識（包括中華民國憲法、法學緒論）（試題代號：1141）

單選題數：50題

單選每題配分：2.00分

複選題數：

複選每題配分：

標準答案：

更多關務考試科目的歷屆題庫
立即上網搜尋“關務考試歷屆考古題”
高鋒公職補習班整理
Line@帳號：@gaofeng
連絡電話：07-236-7296

題號	第1題	第2題	第3題	第4題	第5題	第6題	第7題	第8題	第9題	第10題
答案	D	C	D	A	A	D	A	C	B	A

題號	第11題	第12題	第13題	第14題	第15題	第16題	第17題	第18題	第19題	第20題
答案	A	D	D	B	D	D	C	B	C	D

題號	第21題	第22題	第23題	第24題	第25題	第26題	第27題	第28題	第29題	第30題
答案	D	B	B	C	D	B	C	D	B	D

題號	第31題	第32題	第33題	第34題	第35題	第36題	第37題	第38題	第39題	第40題
答案	D	B	D	A	D	A	D	C	B	C

題號	第41題	第42題	第43題	第44題	第45題	第46題	第47題	第48題	第49題	第50題
答案	D	A	C	D	C	B	C	D	D	C

題號	第51題	第52題	第53題	第54題	第55題	第56題	第57題	第58題	第59題	第60題
答案										

題號	第61題	第62題	第63題	第64題	第65題	第66題	第67題	第68題	第69題	第70題
答案										

題號	第71題	第72題	第73題	第74題	第75題	第76題	第77題	第78題	第79題	第80題
答案										

題號	第81題	第82題	第83題	第84題	第85題	第86題	第87題	第88題	第89題	第90題
答案										

題號	第91題	第92題	第93題	第94題	第95題	第96題	第97題	第98題	第99題	第100題
答案										

備註：

109年公務人員特種考試關務人員、身心障礙人員考試及
109年國軍上校以上軍官轉任公務人員考試試題

考試別：關務人員考試

等別：四等考試

類科：機械工程

科目：機械力學概要

考試時間：1小時30分

更多關務考試科目的歷屆題庫
立即上網搜尋“關務考試歷屆考古題”
高鋒公職補習班整理
Line@帳號：@gaofeng
連絡電話：07-236-7296

座號：_____

※注意：(一)可以使用電子計算器。

(二)不必抄題，作答時請將試題題號及答案依照順序寫在試卷上，於本試題上作答者，不予計分。

(三)本科目除專門名詞或數理公式外，應使用本國文字作答。

一、以簡圖及數學表示式論述下列兩子題：（每小題 10 分，共 20 分）

(一)以質點的受力狀態說明牛頓第二運動定律（Newton's 2nd law of motion）及牛頓第三運動定律？

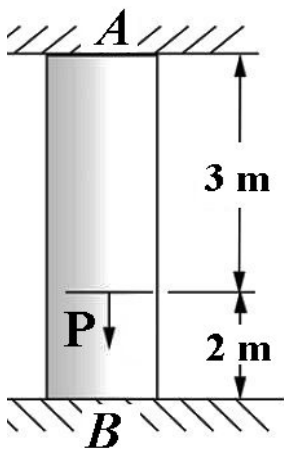
(二)當質點受力作圓周運動時，根據牛頓運動定律說明向心力（centripetal force）與離心力（centrifugal force）？

二、寫出下列兩子題的數學式及作功的計算：（每小題 10 分，共 20 分）

(一) 250 kg 之物體靜止置放於一光滑之水平面上。若施以 750 N 的水平力使該物體作直線運動，求解該力在 5 秒內作功（work）為若干焦耳（Joule）？

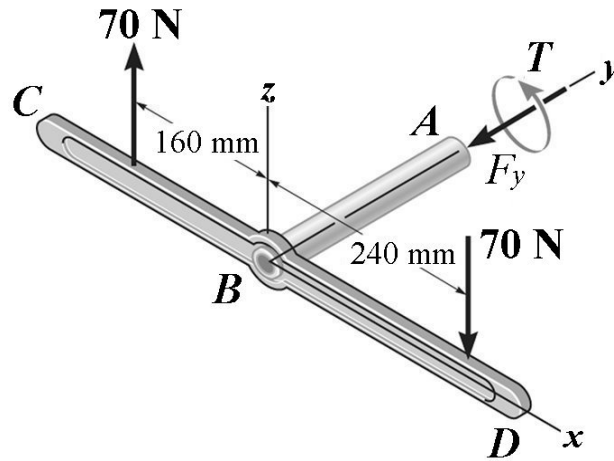
(二)以 150 N·m 的扭矩作用於靜止的飛輪（fly wheel），若其角加速度為 5 rad/sec²，求解在 10 秒後作功為若干焦耳？

三、如圖所示，兩端均固定之桿受一外力 P 為 1000 N 作用。桿之截面積為 0.01 m²，材料彈性模數 E 為 200 GPa，求解 A 點與 B 點之反應力大小？（25 分）



四、如下圖，管 AB 的內徑為 70 mm，外徑為 86 mm。在 B 處用扭矩扳手 CD 將此管緊固定於支撐 A 處。當施予 70 N 的力於扭矩扳手時，管 AB 與扭矩扳手之受力自由體圖亦表示於圖中。求解：

- (一) 管 AB 所承受之扭矩 T ？ (15 分)
- (二) 管 AB 的極慣性矩 (polar moment of inertia)？ (10 分)
- (三) 管中之內壁及其外壁上所造成的剪應力為若干 MPa？ (10 分)



109年公務人員特種考試關務人員、身心障礙人員考試及
109年國軍上校以上軍官轉任公務人員考試試題

考試別：關務人員考試
等別：四等考試
類科：機械工程
科目：機械原理概要
考試時間：1小時30分

更多關務考試科目的歷屆題庫
立即上網搜尋“關務考試歷屆考古題”
高鋒公職補習班整理
Line@帳號：@gaofeng
連絡電話：07-236-7296

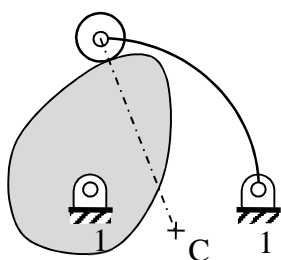
座號：_____

※注意：(一)可以使用電子計算器。

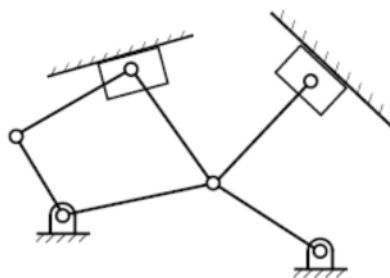
(二)不必抄題，作答時請將試題題號及答案依照順序寫在試卷上，於本試題上作答者，不予計分。

(三)本科目除專門名詞或數理公式外，應使用本國文字作答。

一、計算下列圖示(a)與(b)所示之凸輪機構與連桿滑塊機構的自由度。(20分)



(a)



(b)

二、(一)指出螺旋在機器應用上的三個主要功用。(10分)

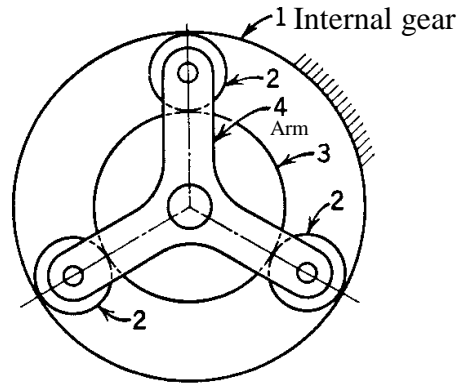
(二)已知螺旋起重機的螺紋導程為 10 mm，手輪的作用臂長為 500 mm，其端點有作用力 100 N，如摩擦損失為 30%，試求其能舉起的最大荷重。

(10分)

三、有一個四連桿組 A_0ABB_0 ，連桿 A_0B_0 為機架，且已知三根連桿之桿長為 $A_0B_0 = 30\text{ cm}$ 、 $A_0A = 10\text{ cm}$ 與 $B_0B = 28\text{ cm}$ 。若該四連桿組為曲柄搖桿機構，試求連桿 AB 的長度範圍，並指出何者為曲柄。(20分)

四、壓力角為 20° 的一對全深漸開線正齒輪，已知模數為 4 mm，齒冠 (a) 為 4 mm，大齒輪齒數 (T_3) 為 50 齒，小齒輪齒數 (T_2) 為 15 齒，請列式計算並判斷兩齒輪是否發生干涉現象。(20分)

五、如圖所示為由太陽齒輪 3、行星齒輪 2、環齒輪 1 與行星臂 (Arm) 4 所組成的行星齒輪系，環齒輪 1 被固定。已知太陽齒輪 3 的齒數為 30 齒，太陽齒輪 3 與行星臂 4 皆可以被選為輸入件或輸出件。欲設計輸入件轉軸的轉速與輸出件轉軸的轉速之比值為 5 的減速機，試決定減速機的輸入件與輸出件，並求環齒輪 1 與行星齒輪 2 的齒數。(20 分)



代號：20120-20720
頁次：3-1

108年公務人員特種考試關務人員、身心障礙人員考試及
108年國軍上校以上軍官轉任公務人員考試試題

考試別：關務人員考試
等別：四等考試
類科：各科別
科目：國文（作文、公文與測驗）
考試時間：2小時

座號：_____

※注意：禁止使用電子計算器。

更多關務考試科目的歷屆題庫
立即上網搜尋“關務考試歷屆考古題”
高鋒公職補習班整理
Line@帳號：@gaofeng
連絡電話：07-236-7296

甲、作文與公文部分：

- (一)請以藍、黑色鋼筆或原子筆在申論試卷上由左至右橫式作答，於本試題上作答者，不予計分。
(二)不得於試卷上書寫姓名或入場證號。

一、作文：（60分）

心理學研究有個理論叫「破窗效應」，就是說，一個房子如果有一扇窗戶破了，沒有人去修補，隔沒多久，其它窗戶也會莫名其妙的被人打破；一面牆如果出現了一處塗鴉沒去清洗，很快的，牆上就會佈滿亂七八糟、不堪入目的東西。一個乾淨的地方，人們會不好意思丟垃圾，但是只要出現一個垃圾，人們就會毫不猶豫的丟，而且不覺得愧疚。任何壞事，如果一開始沒有阻攔，形成風氣，日後就很難改變，就像河堤只要出現一個小缺口，就可能導致崩壩的危機。請以「從細微處建立秩序」為題，作文一篇，闡述其旨。

二、公文：（20分）

自中華民國 105 年 1 月 1 日起，原由財政部國庫署委託經濟部標準檢驗局辦理之酒類取樣部分，改由委託海關於查驗貨物時一併辦理，藉由一次查驗作業，完成貨物通關與檢驗取樣，降低行政成本並加速通關。全國各商港、機場及其周邊都設有進出口貨物通關地點，由海關承接進口酒類取樣及檢驗業務，除具有通關的便利性外，亦結合通關查驗、酒類取樣及酒類檢驗 3 項行政程序，酒類進口業者可藉由海關一次的查驗作業，同步完成貨物通關與取樣檢驗，俟財政部國庫署審核無訛後以電子訊息回復，貨物即可一次放行，降低行政成本與加速酒類貨物通關，可以達到「服務流程改造、加速通關放行速度、提高行政作業效率、降低貨物損害風險、節省業者費用支出」之績效。

請就以上說明內容，試擬財政部致所屬關務署確實執行酒類查驗取樣檢驗三合一，簡化業務申辦流程，並達成預期績效。

乙、測驗部分：（20分）

代號：2201

(一)本測驗試題為單一選擇題，請選出一個正確或最適當的答案，複選作答者，該題不予計分。

(二)共10題，每題2分，須用2B鉛筆在試卡上依題號清楚劃記，於本試題或申論試卷上作答者，不予計分。

1 下列各組成語中，意思最接近的是：

- (A)一丘之貉／牛驥同皁 (B)日薄西山／風燭殘年
(C)如臨深淵／兢兢業業 (D)一朝千古／一日三秋

2 書信用語，下列何者正確？

- (A)校長：提稱語用「尊前」，啟封詞用「禮啟」
(B)父母：提稱語用「函丈」，啟封詞用「謹啟」
(C)朋友：提稱語用「膝下」，啟封詞用「安啟」
(D)同學：提稱語用「硯席」，啟封詞用「台啟」

3 后稷教民稼穡，樹藝五穀；五穀熟而民人育。人之有道也，飽食、暖衣、逸居而無教，則近於禽獸。聖人有憂之，使契為司徒，教以人倫。（《孟子·滕文公上》）
根據上文的觀點，為政者最重視的應為：

- (A)國防軍事 (B)文化教育 (C)民生經濟 (D)休閒娛樂

4 《顏氏家訓·涉務》：「士君子之處世，貴能有益於物耳，不徒高談虛論，左琴右書，以費人君祿位也。」

根據上文，士君子應當如何處世？

- (A)必須勤學問，篤守信用 (B)應力求務實，博施濟眾
(C)應注重修養，言之有物 (D)能高談闊論，琴書自娛

5 「善醫者，不視人之瘠肥，察其脈之病否而已矣；善計天下者，不視天下之安危，察其紀綱之理亂而已矣。」（韓愈〈雜說〉）

對此段話的解讀，下列何者正確？

- (A)不論良醫或良相，都要先由本身做起，再談醫人或治國的綱紀
(B)醫病與治國的道理都一樣，首要之舉是洞悉內在的血脈與綱紀
(C)良醫和良相的做法一樣，都要先查明病因與瘠肥，再對症下藥
(D)醫病與治國的方法，宜先查明脈象與綱紀，再調整瘠肥與安危

6 君子之為善，非特以適己自便而已。其取於人也，必度其人之可以與我也。其予人也，必度其人之可以受於我也。我可以取之，而其人不可以與我，君子不取。我可以予之，而其人不可受，君子不予。（蘇軾〈劉愷丁鴻孰賢論〉）

根據上文，下列敘述何者最符合作者「君子為善」之意？

- (A)要隨時幫助比自己貧窮的人 (B)要衡量自己的能力去幫助人
(C)無論取或是予都須彼此尊重 (D)取予之間切記不要刻意為之
- 7 老闆以「只有渺小的演員，沒有渺小的角色」勉勵員工，下列選項最符合其用意的是：
- (A)不必費心去計較工作的績效 (B)渺小或崇高取決於長官賞識
(C)成就的優劣取決於專業能力 (D)角色的主從攸關升遷的速度

8 「有人讀了十幾年的書，就能寫出很好的作品；有的人卻唸了一輩子的書，仍然毫無自己的見解，這是因為不多思考的緣故。對於生命也是如此，有些人很年輕就對生命有深刻的體會；有的人卻活了七八十歲，仍然不知道生命的價值與意義。」

根據上文，下列敘述最符合文意的是：

- (A)生命的價值，在乎霎那間的永恆
(B)人生的風景，取決於多方的閱讀
(C)滴水穿石，不是因其力量，而是鏗而不捨的精神
(D)生命的充實，不在年歲長短，而在生命領悟的深淺
- 9 「在漫長的奮鬥和通往優秀的道路上，你總會感覺到寂寞、渴望交流，並沉浸於過度的社交中。這是一條充滿考驗和淘汰的道路，如果你選擇退卻，像大多數人那樣庸碌和喧囂，就是向浮躁的內心投降，也就澈底遠離優秀。」

下列選項，何者最貼近上文旨意？

- (A)想成功須耐得住寂寞 (B)善於社交可遠離孤單
(C)庸碌與浮躁是雙面刃 (D)退卻者應多與人交流
- 10 下列《論語》中的文句，何者適宜作為最基層公務人員的行事準則？
- (A)出則事公卿，入則事父兄
(B)愛之，能勿勞乎？忠焉，能勿誨乎？
(C)聽訟，吾猶人也；必也，使無訟乎？
(D)為政以德，譬如北辰，居其所而眾星拱之

測驗式試題標準答案

考試名稱：108年公務人員特種考試關務人員、身心障礙人員考試及108年國軍上校以上軍官轉任公務人員考試

類科名稱：資訊處理、化學工程、紡織工程、關稅會計、電機工程、一般行政、機械工程

科目名稱：國文（作文、公文與測驗）（試題代號：2201）

單選題數：10題

單選每題配分：2.00分

複選題數：

複選每題配分：

標準答案：

更多關務考試科目的歷屆題庫
立即上網搜尋“關務考試歷屆考古題”
高鋒公職補習班整理
Line@帳號：@gaofeng
連絡電話：07-236-7296

題號	第1題	第2題	第3題	第4題	第5題	第6題	第7題	第8題	第9題	第10題
答案	B	D	B	B	B	C	C	D	A	A

題號	第11題	第12題	第13題	第14題	第15題	第16題	第17題	第18題	第19題	第20題
答案										

題號	第21題	第22題	第23題	第24題	第25題	第26題	第27題	第28題	第29題	第30題
答案										

題號	第31題	第32題	第33題	第34題	第35題	第36題	第37題	第38題	第39題	第40題
答案										

題號	第41題	第42題	第43題	第44題	第45題	第46題	第47題	第48題	第49題	第50題
答案										

題號	第51題	第52題	第53題	第54題	第55題	第56題	第57題	第58題	第59題	第60題
答案										

題號	第61題	第62題	第63題	第64題	第65題	第66題	第67題	第68題	第69題	第70題
答案										

題號	第71題	第72題	第73題	第74題	第75題	第76題	第77題	第78題	第79題	第80題
答案										

題號	第81題	第82題	第83題	第84題	第85題	第86題	第87題	第88題	第89題	第90題
答案										

題號	第91題	第92題	第93題	第94題	第95題	第96題	第97題	第98題	第99題	第100題
答案										

備註：

108年公務人員特種考試關務人員、身心障礙人員考試及
108年國軍上校以上軍官轉任公務人員考試試題

代號：4201
頁次：6-1

考試別：關務人員考試
等別：四等考試
類科：各科別
科目：英文
考試時間：1小時

更多關務考試科目的歷屆題庫
立即上網搜尋“關務考試歷屆考古題”
高鋒公職補習班整理
Line@帳號：@gaofeng
連絡電話：07-236-7296

座號：_____

※注意：(一)本試題為單一選擇題，請選出一個正確或最適當的答案，複選作答者，該題不予計分。
(二)本科目共50題，每題2分，須用2B鉛筆在試卡上依題號清楚劃記，於本試題上作答者，不予計分。
(三)禁止使用電子計算器。

- John was appointed ambassador to the United States. He was granted the ____ of port, and his personal luggage was free from inspection.
(A) indifference (B) solidarity (C) commodity (D) courtesy
- New Scientist is a science magazine for everyone, both young & old, _____ & professional.
(A) youthful (B) elite (C) amateur (D) native
- The products received a great deal of _____ when they were advertised during the Olympic Games.
(A) consequence (B) exposure (C) invasion (D) penalty
- Christine worked hard for a long time, and _____ she became a very successful businesswoman.
(A) consistently (B) eventually (C) intensively (D) partially
- According to Facebook Community Standards, any videos that _____ violence should be removed. This policy avoids encouraging people to commit crimes.
(A) deprive (B) incite (C) recruit (D) suspect
- Sometimes a social interaction with a(n) _____ rather than a stranger brings a better mood.
(A) acquaintance (B) dominance (C) performance (D) significance
- My grandfather was known for his _____ to his friends and associates, always more than willing to help them in whatever way he could.
(A) generosity (B) identity (C) obedience (D) resistance
- Parents often speak to children about the dangers of dishonesty, but research has shown that kids who know how to _____ are better adjusted.
(A) confine (B) deceive (C) prosper (D) reserve
- To avoid other people, the farmer lives a _____ life in a remote mountain village with only his dog.
(A) solitary (B) coherent (C) malicious (D) glamorous
- Some people _____ a campaign for animal rights to raise funds for shelters.
(A) punched (B) launched (C) lightened (D) plunged

請依下文回答第 11 題至第 15 題

Can a building be so ugly that people get angry just looking at it? For years, the Old Executive Office Building (the OEOB) in Washington, D.C., received 11 its share of insults. President Warren G. Harding proclaimed that the building was "the worst I ever saw." Mark Twain described it as the "ugliest building in America." At a 12 of ten million dollars over seventeen years of construction, the OEOB was completed in 1888. For many, it was 13 at first sight. The building was used for many purposes over the years and then fell into neglect.

Then one day in 1974, a college student named John W. F. Rogers was working in the mail room of the White House. He was sent to get a chair in one of the OEOB "storerooms." Rogers thought he had entered "the castle of the Sleeping Beauty." "Everything was 14 dust and cobwebs," he recalled, "and yet I saw beauty." Years later, Rogers became the administrator of the building. Once he was 15, one of the first things he did was to restore the old "storeroom." It is now the grand White House Law Library!

- (A) less than (B) not much as (C) up to (D) more than
- (A) cost (B) pay (C) charge (D) worth
- (A) grief (B) love (C) hate (D) joy
- (A) dressed for (B) covered in (C) filled in (D) wrapped up
- (A) in mind (B) in vain (C) in favor (D) in charge

請依下文回答第 16 題至第 20 題

A new study has just discovered that reading has an important impact on people's lifespan. Over the course of the study, the researchers 16 found that the readers lived longer than the non-readers. The readers who read over 3.5 hours a week lived a full 23 months longer than the people who didn't read at all. That extended lifespan applied to all reading participants, 17 "gender, wealth, education or health" factors. That's a 20% reduction in 18 created by a sedentary activity.

The researchers stated, "19 non-book readers, book readers had a 4-month survival advantage" at the age when 20% of their peers passed away. "Further, our analyses demonstrated that any level of book reading gave a significantly stronger survival advantage than reading periodicals. This is a 20 finding, as previous studies did not compare types of reading material; it indicates that book reading rather than reading in general is driving a survival advantage."

- 16 (A) consistently (B) contemporarily (C) completely (D) compulsively
17 (A) on account of (B) referring to (C) regardless of (D) according to
18 (A) mortality (B) morality (C) mobility (D) modernity
19 (A) Based on (B) Compared to (C) Judging from (D) Depending on
20 (A) trivial (B) subtle (C) novel (D) fiction

請依下文回答第 21 題至第 25 題

We've all had nights when we lie awake in bed, unable to quiet our racing thoughts. There are plenty of reasons why sleep may be evading you—maybe you had caffeine too late in the afternoon, 21, or you've been staring at your laptop screen for hours and haven't given yourself time to relax before bed. These are things to keep in mind for improving future nights of sleep. But what if you've done everything "right" leading up to bedtime, and you still find yourself 22 and turning?

It's very common for people to report being physically tired, but not being able to shut their mind off, especially if they're very worried about something. Worries keep people awake, and they don't have to be 23 worries. It could also be something positive you're planning, like a trip or a big event with a lot of things you have to remember. Spending time during the day or earlier in the evening to sit and 24 those concerns may help, but if it's too late for that, grab a notebook and try physically writing them down in a list for the next day. A recent study found that writing out a to-do list of future tasks helped people fall asleep nine minutes faster than people who wrote about tasks they'd already 25 that day. Researchers think the act of getting them down on paper helps clear the mind and stop rumination, at least temporarily.

- 21 (A) for example (B) in addition (C) even so (D) by contrast
22 (A) bumping (B) fading (C) parting (D) tossing
23 (A) partial (B) negative (C) subsequent (D) unnecessary
24 (A) cover (B) address (C) remedy (D) propose
25 (A) accomplished (B) demonstrated (C) negotiated (D) strengthened

請依下文回答第 26 題至第 30 題

Nancy has been to many countries such as England, France, Germany and Australia, but she has never gone to America. Therefore, when she was told that she could attend a business meeting in America, she decided that she wanted to go there and to 26 the country. As the meeting was to be held in Chicago, she first took a flight from Taipei to Los Angeles and then waited for a transit flight there. Unfortunately, by the time she arrived in Los Angeles, all the flights to Chicago had been cancelled because of a heavy storm. As Nancy was very 27 about not being able to attend the meeting on time, she asked the people at the check-in counter to help her solve the problem. But nobody could help her as they were all too busy 28 other customers' complaints. As a consequence, she had no choice but to stay in Los Angeles for the night.

Yet, the same thing happened to her the next day. She still had difficulty boarding a flight to Chicago. While she was worried about the possibility of missing the meeting in Chicago, an American sitting beside her suggested that she could, in fact, plan another 29 to get to Chicago. She followed the advice and boarded another airline for Chicago. She flew to Denver first, waiting for a transfer flight to Chicago. But she missed the plane because she wasn't 30 the time difference. She was put on a waiting list and had to wait for the next flight to Chicago. When she finally boarded the plane, she felt greatly relieved. Although it was already late in the evening when she arrived in Chicago, she was happy that she made it to Chicago after all!

- 26 (A) look down to (B) have a look at (C) make an example of (D) take away from
27 (A) delicate (B) significant (C) anxious (D) obvious
28 (A) bringing up (B) counting on (C) giving away (D) attending to
29 (A) route (B) union (C) journal (D) necessity
30 (A) upset about (B) aware of (C) delighted with (D) surprised by

請依下文回答第 31 題至第 35 題

Artificial intelligence (AI) has been around longer than most people realize. The intent behind much of AI is to free us from mundane repetitive tasks, giving us more time to grow our intellects and businesses, with more interesting, evolving actions. AI offers us that access with speed and accuracy when we need it.

In London, self-driving robots deliver food. In Pasadena, California, a robot named Flippy can cook. Last fall, an autonomous train made its way across the Australian outback for the first time, and Zhuzhou, China, began testing a trackless and driverless train that navigates city streets by means of lines painted on the road. Artificial intelligence is everywhere. And its adoption is rapidly becoming necessary for businesses to stay competitive.

How does this affect human employees? Those low-skilled jobs are most likely to be affected and most chances of being automated. White collar jobs are also at risk though with AI taking a bigger role in the financial industry.

But despite all this, the future for human employees may be much brighter than many recent predictions. While AI destroys jobs, it also creates them. And according to a report from the research firm Gartner, artificial intelligence is currently creating more jobs than it destroys. This includes not only the obvious jobs such as software engineers but also low-level jobs such as training AI to recognize objects or human activity and many others.

AI may destroy jobs and it may create them, but it's not always about man versus machine. AI can be at its best when it helps humans to perform jobs. For example, Walmart announced it was beginning tests of shelf scanning robots at 50 locations. These robots are not intended to replace human workers but to make them more efficient. The robots scan the condition of shelves, and workers may focus their time on filling the shelves, replacing items left in the wrong place and fixing problems that the robots notify them of.

- 31 What does the author try to express in this passage?
- (A) AI will ultimately take over everything, and then it will be the end of the world.
 - (B) AI is completely favorable because it saves man power and money.
 - (C) AI and humans can cooperate in a wonderful way to improve efficiency.
 - (D) AI will dominate every industry, and people will become unemployed at last.
- 32 According to the author, what is the situation that AI affects human employees?
- (A) Bus drivers may lose working opportunities in the future because of driverless technology.
 - (B) White collar jobs are irreplaceable because the work content is very professional.
 - (C) AI can teach people to recognize objects or human activity and many others.
 - (D) The employment situation is much worse than prediction because AI is everywhere.
- 33 In the case of Walmart, how does AI help in the process of sale?
- (A) AI recognizes customers and takes picture of them.
 - (B) AI scans the condition of shelves and notify workers to respond to it.
 - (C) AI makes decisions for the customers who are not sure about what to buy.
 - (D) AI detects customers' shopping habits and uploads the data to the marketing department.
- 34 According to the passage, which of the following statements is true?
- (A) Since the invention of AI, it's always about man versus machine.
 - (B) While AI takes away working opportunities, it also creates them.
 - (C) In China, trackless and driverless trains are running everywhere.
 - (D) The future for human employees may be more gloomy than many recent predictions.
- 35 Where does this passage most likely appear?
- (A) A pamphlet, *Globalization is Evil*.
 - (B) A magazine, *Mass Transportation*.
 - (C) A book, *The God's Will*.
 - (D) A journal, *Applied Technology*.

請依下文回答第 36 題至第 40 題

Is it true that loneliness causes more misery in the world than any other spiritual condition in life? Generally speaking, it is. Loneliness is a negative emotion that almost everyone suffers from now and then. This solitary feeling may even torture one's soul moment to moment throughout lifetime. Contrary to general belief, loneliness does not necessarily result from the state of being alone. To get over loneliness, it is essential to realize the source of this emotion.

Loneliness must be examined honestly and completely before it can be handled since it is actually a deep-rooted personality habit. To begin with, personal beliefs and memories that support the feeling of loneliness must be discovered and understood. Then, the habitually lonely feeling has to be replaced with more constructive emotions.

You must understand that feeling lonely now and then is not abnormal, and neither is it your fault. Life is sometimes a lonely process, which can somehow provide the energy and motion needed for personal growth and spiritual understanding. In other words, loneliness is a challenge, not a problem. It becomes a problem only when you view yourself as its victim and consider yourself **incompetent** to find any solution.

Loneliness serves as a signal to get your attention so that you can start to deal with your inner state of being. In fact, loneliness can be your very best friend. You may even need to be thankful that it exists for it stimulates you to develop relationships with other people and pushes you out into the world to look for ways of meeting your interpersonal needs.

- 36 What is the main purpose of the passage?
- (A) To explain the nature of loneliness and to provide some applicable solutions.
 - (B) To list sources of loneliness and to compare differences between beliefs and memories.
 - (C) To analyze the physical symptoms of loneliness and to advise some medical treatments.
 - (D) To emphasize the abnormal aspects of loneliness and their impact on mental health.
- 37 Which of the following statements is NOT true according to the passage?
- (A) Loneliness can remind you to look into your own inner life.
 - (B) People do not need to blame themselves for their loneliness.
 - (C) Positive emotions can be used to take the place of loneliness.
 - (D) Being alone will definitely contribute to the feeling of loneliness.
- 38 Which of the following is closest in meaning to the word "**incompetent**"?
- (A) Vital.
 - (B) Unable.
 - (C) Thrilled.
 - (D) Doomed.
- 39 What is the author's general attitude while concluding the issue of loneliness?
- (A) Ironic.
 - (B) Passive.
 - (C) Doubtful.
 - (D) Optimistic.
- 40 Which of the following statements is true?
- (A) Sometimes the feeling of loneliness may even last through one's whole life.
 - (B) Loneliness is not a problem since it has nothing to do with spiritual understanding.
 - (C) There are quite a few emotional states more miserable than the feeling of loneliness.
 - (D) It makes no difference whether people are honest or not when they examine their loneliness.

請依下文回答第 41 題至第 45 題

Katsushika Hokusai is a Japanese artist of the Edo period (1603-1868). Born in Edo, modern Tokyo, in 1760, he is best known for the woodblock print series *Thirty-six Views of Mount Fuji*. The series, made in the 1830s, depicted Mount Fuji from different locations and in different seasons. He created the series as a response to a domestic travel boom and as a part of a personal obsession with Mount Fuji. *Under the Wave off Kanagawa* is the most iconic work of the series. Portraying water is not easy, but Hokusai captured its decisive moments. What enabled him to work in this way was his experience of residing in the Sumida area, with all its rivers and canals, and observing the flow of the Sumida River day by day.

Hokusai was born in the Sumida district and lived there for almost 90 years. But he was never in one place for long. He found cleaning distasteful and allowed dirt and grime to build up in his studio. When the place became unbearable, he simply moved out. All told, the artist changed residences 93 times throughout his life.

Constantly seeking to produce better works, Hokusai once commented: "All that I have done before 70 is not worth taking into account. At 75, I will have truly learned the pattern of nature, of animals, of trees and birds. At 80, I shall progress further. At 90, I shall penetrate the mystery of life itself. At 100 I shall be a marvelous artist. When I am 110, each dot and line will possess a life of its own." Hokusai, however, never got to see whether his prediction held true. He died at the age of 88. Prior to his death, he was said to have remarked: "If the son of heaven gives me just another five years, I will become a true artisan."

During Hokusai's life, the Japanese government enforced isolationist policies to prevent foreigners from entering and citizens from leaving. When Japan opened its borders in the 1850s, Hokusai's works crossed the ocean and influenced many Western artists such as Edgar Degas, Vincent van Gogh, and Claude Monet. *Thirty-six Views of Mount Fuji* are particularly famous overseas. The composer Debussy was influenced by *Under the Wave off Kanagawa* when he composed the symphonic works *La Mer* in 1905. The painter Henri Riviere was also inspired and created a series of lithographs called the *Thirty-six Views of the Eiffle Tower*. In 1999 Hokusai was the only Japanese person given a place in Life Magazine's "The 100 Most Important Events and People of the Past 100 Years."

- 41 According to the passage, what is Hokusai most famous for?
- (A) His cooperation with Debussy. (B) His landscape prints of Mount Fuji.
(C) His exploration of the mystery of life. (D) His interest in travelling throughout Japan.
- 42 What caused Hokusai to move 93 times?
- (A) He did not like cleaning. (B) He could not tolerate noise.
(C) He wanted to see different things. (D) He had to stay close to Mount Fuji.
- 43 What is the last paragraph mainly about?
- (A) Hokusai's influence on Western artists.
(B) Western painters' obsession with Mount Fuji.
(C) Western artists' interests in collecting Hokusai's works.
(D) The impact of isolationist policies on Hokusai's career.
- 44 What can be inferred from the passage?
- (A) Hokusai was afraid of getting old. (B) Hokusai never stopped seeking perfection.
(C) Hokusai was proud of his own achievement. (D) Hokusai believed that water is the source of all life.
- 45 Which of the following statements about Hokusai is NOT true?
- (A) He never left the Sumida area. (B) He frequently observed the flow of water.
(C) His works crossed overseas after his death. (D) He created *Thirty-six Views of Mount Fuji* at 60.

請依下文回答第 46 題至第 50 題

Solar is the first energy source in the world. It was in use much earlier before humans even learn how to light a fire. Many living things are dependent on solar energy from plants, aquatic life, and the animals. The solar is mostly used in generating light and heat. The solar energy coming down to the planet is affected by the orbital path of the sun and its variations within the galaxy. In addition, it is affected by activity taking place in space and on the sun. It was this energy that is believed to have been responsible for the breaking of ice during the ice age, which creates the separation of lands and sea.

Solar energy is the alternative energy source that is used most widely across the globe. About 70% of the sunlight gets reflected back into the space and we have only 30% of the sunlight to meet up our energy demands. While the sunlight is used for producing solar energy, it is also used for drying clothes, used by plants during the process of photosynthesis, and also used by human beings during winter seasons to make their body warm.

There are two kinds of solar energy, namely, the passive solar energy and the active solar energy. The passive solar energy basically uses duration, position, and the intensity of the sun's rays to its advantage in heating a particular area and also in inducing airflow from an area to the next. The active solar energy uses electrical technology and mechanical technology like collection panels in capturing, converting, and storing of energy for future use.

Solar energy does not create any pollution and is widely used by many countries. It is a renewable source of power since the sun will continue to produce sunlight all the years. Solar panels, which are required to **harness** this energy can be used for a long time and require little or no maintenance. However, solar energy proves to be ineffective in colder regions which don't receive good sunlight. It cannot be used during the night and not all the light from the sun can be trapped by solar panels. Solar energy's advantages are much more than its disadvantages, which makes it a viable source of producing alternative energy.

- 46 Which of the following titles best expresses the main idea of this passage?
(A) Solar Energy: How It Works and Its Limitations. (B) Solar Energy: Its Advantages and Developments.
(C) Solar Energy: Its Past and Current Developments. (D) Solar Energy: Why It's Widely Used and Its Future.
- 47 What is the second paragraph mainly about?
(A) Why solar energy is widely used. (B) The amount of sunlight we can use.
(C) How the sunlight is used on the Earth. (D) The energy demands around the world.
- 48 According to the passage, which of the following statements is true?
(A) Solar energy hasn't been widely used until the past few hundreds of years.
(B) More than 50% of the sunlight can be used to meet up our energy demands.
(C) The passive solar energy proves to be particularly effective in colder regions.
(D) The active solar energy with the help of modern technology can be stored for future use.
- 49 According to the passage, which of the following statements is NOT true about solar energy?
(A) It doesn't create any pollution. (B) It can be used for a long time.
(C) It needs much maintenance work. (D) It doesn't work well in colder regions.
- 50 What does "**harness**" in the last paragraph mean?
(A) Combine. (B) Exercise. (C) Discover. (D) Improve.

測驗式試題標準答案

考試名稱：108年公務人員特種考試關務人員、身心障礙人員考試及108年國軍上校以上軍官轉任公務人員考試

類科名稱：電機工程、化學工程、機械工程、一般行政、資訊處理、關稅會計、紡織工程

科目名稱：英文（試題代號：4201）

單選題數：50題

單選每題配分：2.00分

複選題數：

複選每題配分：

標準答案：

更多關務考試科目的歷屆題庫
立即上網搜尋“關務考試歷屆考古題”
高鋒公職補習班整理
Line@帳號：@gaofeng
連絡電話：07-236-7296

題號	第1題	第2題	第3題	第4題	第5題	第6題	第7題	第8題	第9題	第10題
答案	D	C	B	B	B	A	A	B	A	B

題號	第11題	第12題	第13題	第14題	第15題	第16題	第17題	第18題	第19題	第20題
答案	D	A	C	B	D	A	C	A	B	C

題號	第21題	第22題	第23題	第24題	第25題	第26題	第27題	第28題	第29題	第30題
答案	A	D	B	B	A	B	C	D	A	B

題號	第31題	第32題	第33題	第34題	第35題	第36題	第37題	第38題	第39題	第40題
答案	C	A	B	B	D	A	D	B	D	A

題號	第41題	第42題	第43題	第44題	第45題	第46題	第47題	第48題	第49題	第50題
答案	B	A	A	B	D	A	C	D	C	B

題號	第51題	第52題	第53題	第54題	第55題	第56題	第57題	第58題	第59題	第60題
答案										

題號	第61題	第62題	第63題	第64題	第65題	第66題	第67題	第68題	第69題	第70題
答案										

題號	第71題	第72題	第73題	第74題	第75題	第76題	第77題	第78題	第79題	第80題
答案										

題號	第81題	第82題	第83題	第84題	第85題	第86題	第87題	第88題	第89題	第90題
答案										

題號	第91題	第92題	第93題	第94題	第95題	第96題	第97題	第98題	第99題	第100題
答案										

備註：

108年公務人員特種考試關務人員、身心障礙人員考試及
108年國軍上校以上軍官轉任公務人員考試試題

代號：1201
頁次：8-1

考試別：關務人員考試、身心障礙人員考試
等別：四等考試
類科：各科別、各類科
科目：法學知識（包括中華民國憲法、法學緒論）
考試時間：1小時

更多關務考試科目的歷屆題庫
立即上網搜尋“關務考試歷屆考古題”
高鋒公職補習班整理
Line@帳號：@gaofeng
連絡電話：07-236-7296

座號：_____

※注意：(一)本試題為單一選擇題，請選出一個正確或最適當的答案，複選作答者，該題不予計分。
(二)本科目共50題，每題2分，須用2B鉛筆在試卡上依題號清楚劃記，於本試題上作答者，不予計分。
(三)禁止使用電子計算器。

- 關於憲法分類之敘述，下列何者錯誤？
(A)我國憲法為成文、剛性憲法 (B)日本憲法為成文、剛性憲法
(C)德國基本法為成文、民定憲法 (D)英國憲法為成文、欽定憲法
- 依憲法增修條文第10條之規定，下列何者非屬憲法基本國策之保障範圍？
(A)原住民語言及文化之維護發展
(B)退役軍人就學、就業、就醫、就養之保障
(C)扶助中小型經濟事業之生存與發展
(D)新移民人口之多元文化與政治參與
- 憲法第140條規定，現役軍人不得兼任文官。依司法院大法官解釋意旨，下列敘述何者錯誤？
(A)文官兼任武官不在禁止之列
(B)目的在於防止軍人干政，以維民主憲政之正常運作
(C)軍人因故停役而列為後備軍人者，得轉任文官
(D)預備役軍官亦不得兼任文官
- 依憲法規定，下列有關國民經濟之敘述，何者錯誤？
(A)國民經濟以民生主義為基本原則
(B)中華民國領域內之土地屬於國民全體
(C)附著於土地之礦由土地所有權人取得
(D)私有土地照價納稅，政府並得照價收買
- 下列有關比例原則的敘述，何者錯誤？
(A)國家行使公權力，應符合誠實信用
(B)國家採取的手段應有助於目的之達成
(C)國家為了達成公益目的，有多個以上適合的手段時，須選擇對人民權益損害相對較小的手段
(D)國家不能用大量犧牲人民利益的手段，來追求一個很小的公益

- 6 憲法對於具有特定身分之人，明定其行使職權必須要超出黨派。下列何者非屬應超出黨派行使職權之人？
- (A)全國陸海空軍 (B)法官
(C)政務委員 (D)考試委員
- 7 依司法院大法官解釋意旨，下列何者不違反性別平等？
- (A)民法規定，父母對於未成年子女行使親權意思不一致時，由父行使之
(B)對於從事性交易之行為人，僅處罰意圖得利之一方，而不處罰支付對價之相對人；且現況性交易意圖得利之一方多為女性
(C)民法規定妻以夫之住所為住所，贅夫以妻之住所為住所，但若雙方有約定，從其約定
(D)祭祀公業條例規定，本條例施行前已存在之祭祀公業，其派下員依規約定之，但規約僅限男系子孫為派下員
- 8 依司法院大法官解釋，有關人身自由之敘述，下列何者錯誤？
- (A)限制人身自由須由獨立審判機關依法定程序予以審查決定
(B)人民經法院以外的機關依法逮捕拘禁，不得聲請提審
(C)國家有義務就人民因羈押而生的冤獄進行賠償
(D)限制人身自由不問出於何種名義，均須符合正當法律程序
- 9 依司法院大法官解釋意旨，計程車駕駛甲因犯竊盜罪經法院判決有期徒刑7月確定，主管機關對甲廢止執業登記並吊銷駕駛執照，涉及下列何種基本權利？
- (A)工作權及財產權 (B)工作權及一般行為自由
(C)財產權及人身自由 (D)財產權及平等權
- 10 依司法院釋字第744號解釋意旨，化粧品廣告涉及下列何種憲法上權利？
- (A)人格自由 (B)契約自由 (C)言論自由 (D)研究自由
- 11 依司法院大法官解釋意旨，下列有關財產權之敘述，何者錯誤？
- (A)個人行使財產權依法受社會責任之限制
(B)財產權之限制構成個人特別犧牲應予合理補償
(C)財產權保障個人依財產存續狀態行使自由處分、收益權能
(D)既成道路成立公用地役關係，國家不需辦理徵收

- 12 有關立法委員任期與選舉之敘述，下列何者錯誤？
(A)年滿 23 歲者，有立法委員之被選舉權
(B)立法委員任期四年，連選得連任
(C)不分區立法委員選舉，依政黨名單投票選出
(D)服替代役之現役役男得登記為立法委員候選人
- 13 依司法院釋字第 340 號解釋，下列敘述何者錯誤？
(A)無政黨推薦之候選人應繳納較高額保證金之規定，有違憲法第 7 條
(B)如參選保證金過高，再以政黨推薦名義減輕負擔，反足使小黨林立
(C)無政黨推薦之候選人應繳納較高額保證金之規定，並未侵害人民之參政權
(D)未經政黨推薦或經政黨推薦後撤回之候選人，不刊登其黨籍之規定，並不違憲
- 14 依現行憲法規定，副總統缺位時之處理方式，下列敘述何者錯誤？
(A)總統應於 3 個月內提名候選人
(B)總統提名後由公民投票補選
(C)補選之當選者，繼任至原任期屆滿為止
(D)補選之當選者，應於當選後 20 日內就任
- 15 下列何者並非憲法及增修條文所規定之總統職權？
(A)就攸關國家安全事項，提案交付公民投票之權
(B)依法行使大赦、特赦、減刑及復權之權
(C)依憲法之規定，行使締結條約之權
(D)對司法院院長、副院長之提名權
- 16 關於總統之刑事豁免權，下列敘述何者錯誤？
(A)總統除犯內亂、外患罪外，非經罷免或解職不受刑事追究
(B)現任總統競選連任時，仍享有刑事豁免權
(C)總統刑事豁免權不及於總統於他人刑事案件為證人之義務
(D)總統刑事豁免權及於因他人刑事案件而對總統所為之證據調查
- 17 依憲法增修條文規定，有關行政院與立法院之關係，下列敘述何者正確？
(A)行政院院長由總統提名，經立法院同意後任命之
(B)立法院得經全體立法委員三分之一以上連署，對行政院院長提出不信任案
(C)行政院對於立法院決議之法律案認為有窒礙難行時，得移請總統行使否決權
(D)行政院對於立法院通過之預算案認為有窒礙難行時，得呈請總統解散立法院

- 18 下列何者之提名權不屬於行政院院長？
(A)行政院副院長 (B)內政部移民署署長
(C)內政部部長 (D)不管部會之政務委員
- 19 依憲法規定，關於行政院會議，下列敘述何者錯誤？
(A)行政院院長須將涉及各部會共同關係之事項，提出於行政院會議議決之
(B)行政院院長須將應提出於立法院之重要事項，提出於行政院會議議決之
(C)行政院會議成員為行政院院長、副院長、秘書長、各部會首長
(D)行政院會議成員為行政院院長、副院長、各部會首長及不管部會之政務委員
- 20 依憲法增修條文之規定，下列人事任命，何者不需立法院同意？
(A)考試委員 (B)監察委員 (C)大法官 (D)行政院院長
- 21 下列有關司法院大法官之敘述，何者正確？
(A)司法院院長不具大法官身分
(B)大法官得連任一次
(C)大法官得兼任最高法院法官
(D)大法官為憲法上之法官，任期中受身分保障
- 22 下列何者尚非司法院大法官解釋所承認之憲法第 22 條權利？
(A)契約自由 (B)環境權 (C)隱私權 (D)婚姻自由
- 23 最高司法機關就審理事項擁有發布規則之權力，係來自司法權的那一種性質？
(A)司法自主性 (B)司法消極性
(C)司法二元性 (D)司法被動性
- 24 依憲法增修條文第 6 條之規定，下列關於考試院之敘述，何者錯誤？
(A)考試院院長由總統提名、監察院同意任命
(B)考試院掌管公務人員之考試、任免
(C)考試院為國家最高考試機關
(D)考試院掌管公務人員之銓敘、保障
- 25 關於地方自治團體之敘述，下列何者錯誤？
(A)具公法人地位 (B)地方行政機關首長均由選舉產生
(C)享有自治立法權 (D)省為地方自治團體

- 26 憲法規定之中央與地方權限是依照何種理論劃分？
(A)聯邦制理論 (B)中央地方均權理論
(C)固有權理論 (D)住民自決理論
- 27 憲法第 2 條規定「中華民國之主權屬於國民全體」，涉及憲法何種基本原則？
(A)法治國原則 (B)國民主權原則 (C)共和國原則 (D)權力分立原則
- 28 關於行政程序法繼受外國法制，下列敘述何者錯誤？
(A)行政處分相關規定，主要參考德國法
(B)行政指導相關規定，主要參考日本法
(C)法規命令訂定程序相關規定，主要參考美國法
(D)行政計畫相關規定，主要參考法國法
- 29 依據中央法規標準法，下列何者非屬法律修正之原因？
(A)法規規定之事項已執行完畢者
(B)規定之主管機關或執行機關已經裁併或變更者
(C)同一事項規定於二以上之法規，無分別存在之必要者
(D)有關法規之修正或廢止而應配合修正者
- 30 有關法律提案權之敘述，下列何者正確？
(A)憲法明定行政院得向立法院提出法律案
(B)憲法明定司法院得向立法院提出法律案
(C)憲法明定監察院得向立法院提出法律案
(D)憲法明定公民得向立法院提出法律案
- 31 關於地方制度法之委辦規則，下列敘述何者錯誤？
(A)地方行政機關為辦理上級機關委辦事項所訂定者
(B)係地方行政機關依法定職權或法律授權訂定之
(C)既受上級機關所委辦，無須經該機關核定
(D)委辦規則之名稱準用自治規則之規定
- 32 下列何者非屬行政自我拘束原則之條件？
(A)有行政慣例存在 (B)行政慣例本身合法
(C)行政機關享有決定餘地 (D)羈束行政事項

- 33 下列何者為不確定法律概念？
(A)公務員 (B)重大事故 (C)行政處分 (D)行政契約
- 34 下列何者與隱私權之保障較無關聯？
(A)通訊之監察
(B)民法未規定同性婚姻
(C)核發國民身分證以按捺指紋為要件
(D)警察實施臨檢
- 35 行政程序法所稱之行政機關，係指代表國家、地方自治團體或其他行政主體表示意思，從事公共事務，具有下列何者之組織？
(A)單獨法定地位 (B)任意性處分職權
(C)附屬性功能 (D)強制性處分權限
- 36 下列何者不屬於憲法上法治國原則的內涵？
(A)憲法的最高性 (B)基本權的保障
(C)權力分立原則 (D)司法多元體制
- 37 依據中央法規標準法第 5 條規定，關於人民之權利、義務者，應以法律定之。上述規定係適用下列何項原則？
(A)法律優位原則 (B)法律保留原則
(C)信賴保護原則 (D)比例原則
- 38 18 歲之未婚甲，得到其法定代理人乙之同意，自行開設文具店獨立營業，下列敘述何者正確？
(A)甲有行為能力為一切法律行為
(B)甲一切法律行為均須得到法定代理人承認
(C)甲獨立營業為純獲法律上利益
(D)關於其營業有行為能力
- 39 下列那一個法律行為，依法不須以書面為之？
(A)土地買賣契約 (B)房屋所有權移轉契約
(C)設定土地地上權契約 (D)設定房屋抵押權契約
- 40 甲向乙購買手錶一只，買受人不得為下列何種之主張？
(A)物之瑕疵擔保 (B)權利瑕疵擔保
(C)消費者保護法的 7 天解除權 (D)物之性質錯誤

- 41 下列有關遺贈之敘述，何者錯誤？
- (A)受遺贈人若未履行遺贈上的負擔，會使已生效之遺贈當然失其效力
 - (B)甲之遺囑言明，名下一棟房屋由子女乙繼承，但需讓甲之母親丙使用或出租收取租金以維持生活，則丙可使用收益該房屋直到其過世為止
 - (C)受遺贈人若比遺囑人早過世，則遺贈不生效力
 - (D)甲死後留下數間房屋，繼承人乙買油漆，將甲所留房屋全數粉刷完畢，後來發現甲的遺囑交待遺贈一棟房屋予友人丙，則乙可對丙請求償還油漆價額
- 42 甲將其所有之鄉村別墅 A 屋一棟出租予乙居住，強颱風襲將 A 屋之屋頂部分吹壞，下列敘述何者正確？
- (A)甲已將 A 屋交付予乙使用收益，A 屋毀損之危險由乙負擔，故乙應負修繕屋頂之義務
 - (B)乙雖應負修繕 A 屋屋頂之義務，但乙修理屋頂所支出之費用，得從租金中扣除之
 - (C)乙對 A 屋負有保管之義務，A 屋毀損所生之損害，甲得向乙請求賠償之
 - (D)甲對 A 屋應負修繕義務，乙得定相當期限請甲修繕，甲於期限內不為修繕，乙得終止租賃契約
- 43 下列何者不是法人？
- (A)社團法人
 - (B)財團法人
 - (C)公司
 - (D)民法所定之合夥
- 44 關於社團及財團之敘述，下列何者錯誤？
- (A)社團由社員總會變更章程；財團則由董事會訂立章程
 - (B)社團及財團都有董事的設置
 - (C)社團及財團都可以有監察人的設置
 - (D)社團有社員總會，財團則無總會
- 45 關於罰金於裁判確定後應易服勞役之規定，下列敘述何者錯誤？
- (A)須罰金於裁判確定後 3 個月內無法完納
 - (B)易服勞役以新臺幣一千元、二千元或三千元折算一日
 - (C)勞役期限不得逾 1 年
 - (D)易服勞役期內納罰金者，以所納之數，依裁判所定之標準折算，扣除勞役之日期

- 46 關於追訴權時效期間，下列敘述何者錯誤？
- (A)甲犯殺人罪，其追訴權時效期間為 30 年
 - (B)乙犯強盜罪，其追訴權時效期間為 20 年
 - (C)丙犯竊盜罪，其追訴權時效期間為 10 年
 - (D)丁犯誹謗罪，其追訴權時效期間為 3 年
- 47 依消費者保護法之規定，直轄市或縣（市）政府認為企業經營者提供之商品或服務有損害消費者生命、身體、健康或財產之虞者，應即進行調查，下列何者並非其可為調查之方式？
- (A)向企業經營者或關係人查詢
 - (B)派員前往企業經營者之事務所、營業所或其他有關場所進行搜索、扣押
 - (C)通知企業經營者或關係人到場陳述意見
 - (D)就地抽樣商品，加以檢驗
- 48 依勞工保險條例之規定，下列那一項不是普通事故保險給付的項目？
- (A)老年給付
 - (B)傷病給付
 - (C)失能給付
 - (D)醫療給付
- 49 甲受僱於乙公司，受僱員工僅 1 人，並未訂定性騷擾防治措施、申訴及懲戒辦法。受僱期間，甲遭受乙公司負責人性騷擾，甲遂離職並向勞動局提出申訴。依性別工作平等法之規定，下列何者正確？
- (A)受僱員工僅 1 人，乙公司並無訂定性騷擾防治措施、申訴及懲戒辦法之義務
 - (B)甲已離職，乙公司無需處理
 - (C)乙公司僅僱用員工 1 人，無需進行性騷擾防治
 - (D)乙公司雖僅僱用員工 1 人，仍應訂定性騷擾防治措施、申訴及懲戒辦法
- 50 家庭暴力防治法有關保護令之敘述，下列何者正確？
- (A)被害人於審理時，不得請社會工作人員在場與陳述意見
 - (B)保護令事件不得進行調解或和解
 - (C)保護令之聲請，需徵裁判費
 - (D)緊急保護令應該以書面為之

測驗題標準答案更正

考試名稱：108年公務人員特種考試關務人員、身心障礙人員考試及108年國軍上校以上軍官轉任公務人員考試

類科名稱：一般行政、關稅會計、資訊處理、機械工程、電機工程、化學工程、紡織工程、一般行政、一般民政、社會行政、財稅行政、金融保險、法院書記官、土木工程、電力工程、衛生技術

科目名稱：法學知識（包括中華民國憲法、法學緒論）

更多關務考試科目的歷屆題庫
立即上網搜尋“關務考試歷屆考古題”
高鋒公職補習班整理
Line@帳號：@gaofeng
連絡電話：07-236-7296

單選題數：50題

單選每題配分：2.00分

複選題數：

複選每題配分：

標準答案：答案標註#者，表該題有更正答案，其更正內容詳見備註。

題號	第1題	第2題	第3題	第4題	第5題	第6題	第7題	第8題	第9題	第10題
答案	D	D	A	C	A	C	D	B	B	C

題號	第11題	第12題	第13題	第14題	第15題	第16題	第17題	第18題	第19題	第20題
答案	D	D	C	B	A	D	B	B	C	D

題號	第21題	第22題	第23題	第24題	第25題	第26題	第27題	第28題	第29題	第30題
答案	D	B	A	A	D	B	B	D	A	A

題號	第31題	第32題	第33題	第34題	第35題	第36題	第37題	第38題	第39題	第40題
答案	C	D	B	B	A	D	B	D	A	#

題號	第41題	第42題	第43題	第44題	第45題	第46題	第47題	第48題	第49題	第50題
答案	A	D	D	A	A	D	B	D	A	B

題號	第51題	第52題	第53題	第54題	第55題	第56題	第57題	第58題	第59題	第60題
答案										

題號	第61題	第62題	第63題	第64題	第65題	第66題	第67題	第68題	第69題	第70題
答案										

題號	第71題	第72題	第73題	第74題	第75題	第76題	第77題	第78題	第79題	第80題
答案										

題號	第81題	第82題	第83題	第84題	第85題	第86題	第87題	第88題	第89題	第90題
答案										

題號	第91題	第92題	第93題	第94題	第95題	第96題	第97題	第98題	第99題	第100題
答案										

備註：第40題一律給分。

108年公務人員特種考試關務人員、身心障礙人員考試及
108年國軍上校以上軍官轉任公務人員考試試題

考試別：關務人員考試
等別：四等考試
類科：機械工程
科目：機械力學概要
考試時間：1小時30分

更多關務考試科目的歷屆題庫
立即上網搜尋“關務考試歷屆考古題”
高鋒公職補習班整理
Line@帳號：@gaofeng
連絡電話：07-236-7296

座號：_____

※注意：(一)可以使用電子計算器。

(二)不必抄題，作答時請將試題題號及答案依照順序寫在試卷上，於本試題上作答者，不予計分。

(三)本科目除專門名詞或數理公式外，應使用本國文字作答。

(四)解題時如需材料性質，請一律用結構用鋼；未註明單位之長度，一律為 mm。

(五)計算過程中，可能需要下列資料（請依一般符號常用之代表意義）：

1. 重力加速度： $g=9.8\text{ m/s}^2$ ，計算時得以 10.0 m/s^2 計。

2. 結構用鋼性質：

(a) 抗拉強度 400 MPa、降伏強度 250 MPa、比重 7.8

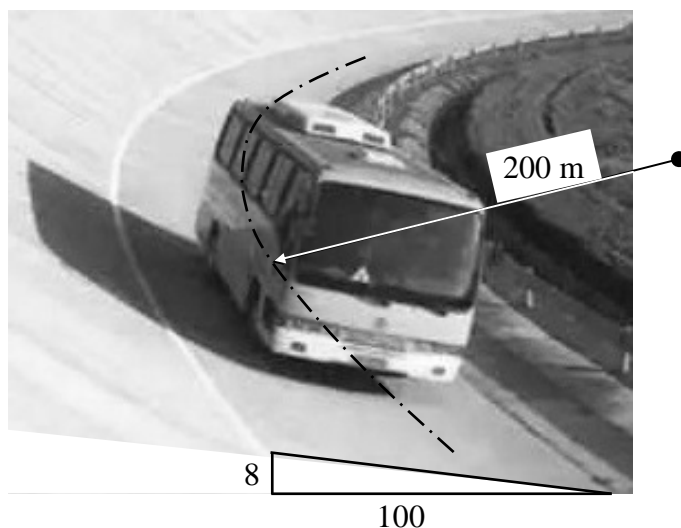
(b) 楊氏係數（彈性模數） $E=210,000\text{ MPa}$ 、Poisson 比 $\nu=0.3$

一、2018年10月臺鐵發生普悠瑪出軌意外後，某工程單位也檢討公路彎道之超高（cant 或 superelevation）與速限之相關規定。參考圖一，若某公路彎道半徑為 200 m，外側超高為 8%，且車輛之重心高 800、輪距 1640 及側向摩擦係數 0.2。試回答下列問題：

(一)若要求車輛不得打滑或傾倒，該彎道之合理速限應為多少 km/h？（10分）

(二)增加外側超高 1% 與增加彎道半徑 1%，對提高車輛速限，何者比較有效？

試計算佐證之。（10分）



圖一

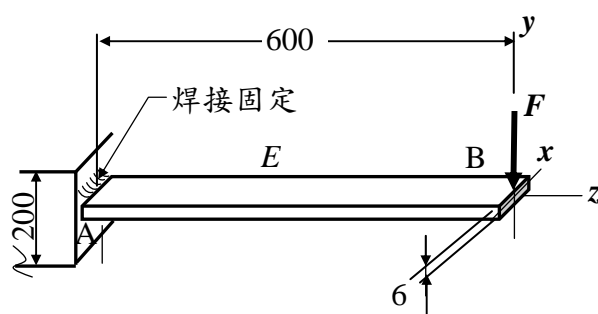
二、某一工程師以 6×90 之扁鋼設計結構 AB 以承受 F 之負載，如圖二(a)，扁鋼的截面如圖二(b)所示，完成後才發現該設計無法滿足公司規範要求：1. 應力 $\leq \pm 180$ MPa 及 2. 最大變形 \leq (間距/500)，所幸，倉庫尚有一塊相同材料可以補強該結構。試回答下列問題：

(一) 若負載 $F = 2 \sim 3$ kN，試分析原設計無法滿足何者規範？(15 分)

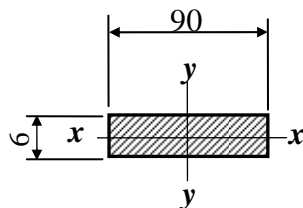
(二) 原設計最大應力會發生在何處？(5 分)

(三) 應如何用相同材料合理的去補強原設計？請畫出補強後之 AB 截面圖 (加註座標、承載力方向)，並計算補強後之總面積慣性矩。(10 分)

(四) 補強後之 AB 結構，受 F 之最大應力為多少？發生在何處？(10 分)



(a)

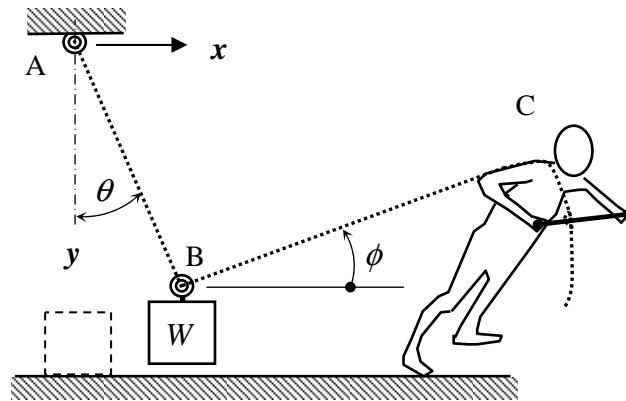


(b)

圖二

三、C 君體重 80 kg，為搬動 W 重之物體，以一繩索固定於 A，穿過 B、再由 C 處施力拖拉，如圖三。若 C 君與地板間之摩擦係數為 0.4，當 $\phi = 30^\circ$ 時剛好維持平衡之狀態，試回答下列問題：

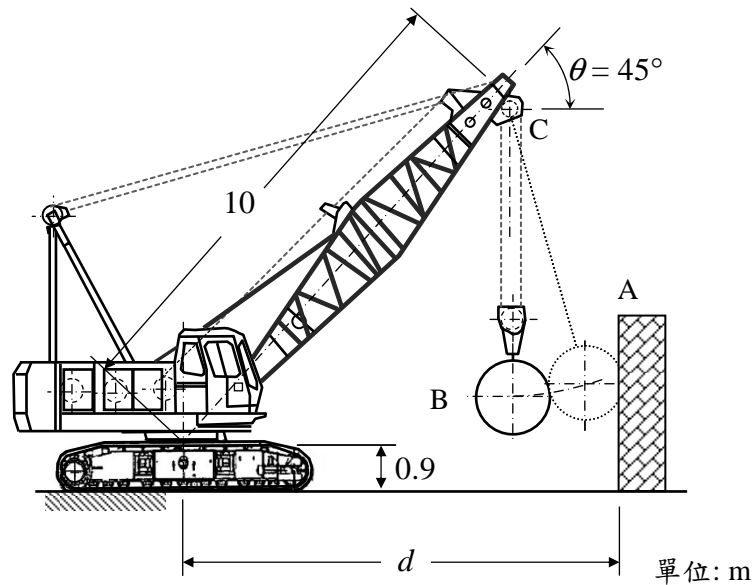
- (一) 計算 A 處之反力為何？請以給定之座標表示。(10 分)
(二) 可以舉起之物重 W 為多少？(10 分)



圖三

四、某移動式拆除起重機，如圖四所示，以等速 9 km/h 行駛，由於接近拆除物目標 A，緊急停止，其重錘 B 擺動之週期為 5 s。試回答下列問題：
(已知重錘 500 kg 得以質點計算，且忽略摩擦影響。)

- (一) 緊急停止時鋼索長度 (即長度 CB) 為多少？(10 分)
(二) 起重機至少應靠近被拆除物多遠 (即 d)，重錘才夠得到目標 A。(10 分)



圖四

108年公務人員特種考試關務人員、身心障礙人員考試及
108年國軍上校以上軍官轉任公務人員考試試題

考試別：關務人員考試
等別：四等考試
類科：機械工程
科目：機械原理概要
考試時間：1小時30分

更多關務考試科目的歷屆題庫
立即上網搜尋“關務考試歷屆考古題”
高鋒公職補習班整理
Line@帳號：@gaofeng
連絡電話：07-236-7296

座號：_____

※注意：(一)可以使用電子計算器。

(二)不必抄題，作答時請將試題題號及答案依照順序寫在試卷上，於本試題上作答者，不予計分。

(三)本科目除專門名詞或數理公式外，應使用本國文字作答。

一、(一)除圓鍵外，試再列舉六種鍵的種類。(12分)

(二)有一圓鍵(直徑 $d=6\text{ mm}$ ，允許剪應力為 360 MPa)裝置於軸(直徑 $D=50\text{ mm}$)和滑輪之間，若其承受一扭力矩 $T=2400\text{ N-m}$ ，試求此圓鍵之長度 L 需為多少 mm 。(13分)

二、(一)試列舉五種非線圈型的彈簧種類。(10分)

(二)一螺旋壓縮彈簧(節徑 $D=40\text{ mm}$ ，線絲直徑 $d=5\text{ mm}$)，若其承受一靜態壓負荷 $P=500\text{ N}$ ，試求線絲上之組合應力為多少 (MPa) 。(15分)

三、有一 V 型皮帶具允許張力 $F=1050\text{ N}$ ，安裝在直徑 $D=800\text{ mm}$ 的皮帶輪上傳動，若接觸角 $\theta=120$ 度，輪轉速 $n=600\text{ rpm}$ ，皮帶和輪間的摩擦係數 $f=0.25$ ，此皮帶輪溝槽的夾角 $2\beta=40$ 度，試求此皮帶機構可傳動之動力為多少 kW 。(25分)

四、試列舉構成機構的八種運動對，並說明其自由度各為多少。(25分)

107年公務人員特種考試關務人員、
身心障礙人員考試及107年國軍上校
以上軍官轉任公務人員考試試題

20120
代號： |
20720

全一張
(正面)

考試別：關務人員考試
等別：四等考試
類科：各科別
科目：國文（作文、公文與測驗）
考試時間：2小時

更多關務考試科目的歷屆題庫
立即上網搜尋“關務考試歷屆考古題”
高鋒公職補習班整理
Line@帳號：@gaofeng
連絡電話：07-236-7296

座號： _____

※注意：禁止使用電子計算器。

甲、作文與公文部分：

- (一)請以藍、黑色鋼筆或原子筆在申論試卷上由左至右橫式作答，於本試題上作答者，不予計分。
(二)不得於試卷上書寫姓名或入場證號。

一、作文：(60分)

「跑道」可以提供飛機航班起落，也可以是田徑、滑冰種種比賽的場地。人生同樣有千百條不同形態的「跑道」，可能曲徑通幽，可能荒榛密布，也可能大海阻隔，總之一段從A至B的路程，不可能永遠是康莊坦途，或許一條岔路就改變了一生的軌跡。試以「跑道」為題，作文一篇，抒寫自身的體悟。

二、公文：(20分)

依據「行政院加速投資臺灣專案會議」相關結論，由財政部協助經濟部、交通部、教育部、內政部、衛生福利部、文化部、行政院農業委員會、客家委員會及各直轄市和縣市政府盤點前瞻基礎建設計畫中，可以採行促參（促進民間參與公共建設）機制的案源，共有20項子計畫。

試擬財政部函請前述各機關就盤點結果持續滾動檢討，並於107年6月30日前將檢討結果函復該部。

乙、測驗部分：(20分)

代號：2201

- (一)本測驗試題為單一選擇題，請選出一個正確或最適當的答案，複選作答者，該題不予計分。
(二)共10題，每題2分，須用2B鉛筆在試卡上依題號清楚劃記，於本試題或申論試卷上作答者，不予計分。

1. 下列選項，何者正確無誤？

- (A)甲：「請問貴庚？」乙：「敝姓張。」
(B)甲：「請問令妹在何處高就？」乙：「舍妹任職於國家圖書館。」
(C)甲：「請問令堂能夠出席晚宴嗎？」乙：「家父明天一定準時到。」
(D)甲：「請問今天方便到府上採訪令媛嗎？」乙：「內人恰巧回東部娘家了。」

2. 「武陵陸生以文字受禍，有司籍其家，家有老犬，哀嚎匝月，道路聞之莫不淚下，里人啖之以肉，不食，卒餓死。後陸事昭雪歸，唯老犬鬮在，收葬如人禮。」（佟世思《耳書》）
依據上文，下列選項何者最能形容文中老犬？

- (A)喪家之犬 (B)烹犬藏弓 (C)犬馬戀主 (D)蜀犬吠日

3. 「太陽底下無新鮮事，大部分的事情，以前都發生過，只是時間、地點、人名不一樣而已，這是為什麼讀歷史可以以古鑑今，幫助我們解決現在的問題。閱讀別人的經驗，可以幫助我們克服現在的困難，激勵自己再出發。同時，人一旦發現別人也和自己一樣受過這個苦，心中不平之氣就會消滅許多，這是為什麼在醫療上『支持團體』這麼有效的原因了。」

依據上文，下列敘述何者最正確？

- (A)閱讀，增加忍受挫折的能力 (B)閱讀，增加面對恐懼的能力
(C)閱讀，增加獨立思考的能力 (D)閱讀，增加判斷是非的能力

(請接背面)

107年公務人員特種考試關務人員、
身心障礙人員考試及107年國軍上校
以上軍官轉任公務人員考試試題

20120
代號： |
20720

全一張
(背面)

考試別：關務人員考試
等別：四等考試
類科：各科別
科目：國文（作文、公文與測驗）

4. 「現在，我們的小說，是極其自由的，其解放程度，可能遠超前人想像。魯迅和沈從文一輩先行者，如果活在今天，親眼目睹他們的後代，在文字、意象、技巧、形式以至於基本假設等各方面高度『放縱』的創新，想像無窮的變化，恐怕免不了瞠目結舌，無言以對。我相信，這個判斷，不算大膽。因為，我自己，雖然也在小說創作這條路上，蹣跚學步多年，讀到同代尤其是晚一輩的作品，往往也會感覺，我堅持的這種寫法，是不是過於墨守成規？甚至落伍了？」依據上文，下列選項最符合作者觀點的是：
- (A)文學傳統崩壞 (B)讀者品味流失 (C)手法創新多變 (D)傳播媒體氾濫
5. 楚人有生而不識薑者，曰：「此從樹上結成。」或曰：「從土裡生成。」其人固執己見，曰：「請與子以十人為質，以所乘驢為賭。」已而遍問十人，皆曰：「土裡出也。」其人啞然失色，曰：「驢則付汝，薑還樹生。」（江盈科《雪濤小說》）依據上文，最能符合楚人形象的選項是：
- (A)輕諾寡信，食言而肥 (B)楚材晉用，心懷故土
(C)硜硜之信，牢不可破 (D)知之為知之，不知為不知
6. 「梁元帝時，有一學士，聰敏有才，為父所寵，失於教義：一言之是，遍於行路，終年譽之；一行之非，揜藏文飾，冀其自改。年登婚宦，暴慢日滋，竟以言語不擇，為周逖抽腸斃鼓云。」（顏之推《顏氏家訓》）根據上文，下列敘述何者正確？
- (A)作者以為教育應該隱惡揚善 (B)父親的稱讚使得兒子越來越聰敏
(C)兒子最後因為言語不檢點而死於非命 (D)因為父親隱藏了兒子的過錯使他自動改過
7. 「莫對青山談世事，此間風物屬詩人」，這副對聯主要的意思是：
- (A)嘆獨居無聊天對象 (B)拋開紅塵牽掛，感性享受自然
(C)讚美詩人住家青山環繞，風水好 (D)「莫對青山談世事」義同「對牛彈琴」
8. 「父親跟我之間很少談過什麼。在家吃飯，我們是一家人圍著一張桌子，我總是第一個吃完並且離開，最後一個吃完的總是母親，這中間我們家人很少交談。這樣的吃法我覺得很自在，很方便，很有效。我大學畢業回來教書後，他賭輸錢跟我要錢，我總是說有本事賭才去賭，並且舉我自己為例，說我從不賭博欠錢或沒錢賭博。我還是給了他錢。我跟他說賭博除了輸還有贏。他當然也想贏。贏得做為他的兒子的我對他的尊敬，看重。贏得他對什麼東西都顯出一付不屑樣子的兒子的歡心。一如逐漸老去的我也想贏得早就步入青春反叛期的我的女兒的注視。注視父親的世界。」依據上文，下列敘述錯誤的是：
- (A)刻畫出親子間的疏離感 (B)檢視父子關係並自我反省
(C)有深刻的自我苛責、自我譴責的敘述 (D)成為人父之後，才真正體會到父親的心態
9. 范成大《吳船錄》記載荔枝由產地運送的情形：「乃知尋常用籃絡盛貯，徒欲透風，不知為雨露沾灑，風日炙薄，經宿色香都變。試取數百顆，貯以大合，密封之，走介入成都，以遺高、宋二使者，亦兩夕到，二君回書云：『風露之氣如新』。」依據上文，其新的實驗方法與結果為何？
- (A)以籃簍透風送達，保持枝葉清新 (B)以荔枝樹盆移送，更保果實新鮮
(C)以曬乾荔枝送達，增添果實香氣 (D)以大合密封送達，似從枝頭新摘
10. 「講任何問題都不能承認某個人擁有特權。尤其在學術領域裡，在科學面前，更沒有特權的位置。對於某個問題，不能說只有我看到了，別人都看不到。宣稱自己掌握了規律、看到了本質，是荒唐的。科學都不能隨便談，何況規律。一個人如果宣稱自己看到了全部規律，那他他就是上帝，他可以洞察萬世。」符合上文旨意的選項是：
- (A)即便掌握所有問題的規律，也須謙沖自牧
(B)科學研究以洞悉問題本質與規律為唯一目標
(C)人非全知全能，不可能掌握世間所有問題的規律
(D)任何學術領域都不應存在特權，所有研究者都是齊頭式的平等

測驗題標準答案更正

考試名稱：107年公務人員特種考試關務人員、身心障礙人員考試及107年國軍上校以上軍官轉任公務人員考試

類科名稱：一般行政、關稅會計、資訊處理、機械工程、電機工程、化學工程、紡織工程

科目名稱：國文（作文、公文與測驗）

單選題數：10題

單選每題配分：2.00分

複選題數：

複選每題配分：

標準答案：答案標註#者，表該題有更正答案，其更正內容詳見備註。

題號	第1題	第2題	第3題	第4題	第5題	第6題	第7題	第8題	第9題	第10題
答案	B	C	A	#	C	C	B	C	D	C

題號	第11題	第12題	第13題	更多關務考試科目的歷屆題庫 立即上網搜尋“關務考試歷屆考古題” 高鋒公職補習班整理 Line@帳號：@gaofeng 連絡電話：07-236-7296				第18題	第19題	第20題
答案										

題號	第21題	第22題	第23題	更多關務考試科目的歷屆題庫 立即上網搜尋“關務考試歷屆考古題” 高鋒公職補習班整理 Line@帳號：@gaofeng 連絡電話：07-236-7296				第28題	第29題	第30題
答案										

題號	第31題	第32題	第33題	第34題	第35題	第36題	第37題	第38題	第39題	第40題
答案										

題號	第41題	第42題	第43題	第44題	第45題	第46題	第47題	第48題	第49題	第50題
答案										

題號	第51題	第52題	第53題	第54題	第55題	第56題	第57題	第58題	第59題	第60題
答案										

題號	第61題	第62題	第63題	第64題	第65題	第66題	第67題	第68題	第69題	第70題
答案										

題號	第71題	第72題	第73題	第74題	第75題	第76題	第77題	第78題	第79題	第80題
答案										

題號	第81題	第82題	第83題	第84題	第85題	第86題	第87題	第88題	第89題	第90題
答案										

題號	第91題	第92題	第93題	第94題	第95題	第96題	第97題	第98題	第99題	第100題
答案										

備註：第4題答A或C或AC者均給分。

107年公務人員特種考試關務人員、身心障礙人員考試及
107年國軍上校以上軍官轉任公務人員考試試題

考試別：關務人員考試
等別：四等考試
類科：各科別
科目：英文
考試時間：1小時

更多關務考試科目的歷屆題庫
立即上網搜尋“關務考試歷屆考古題”
高鋒公職補習班整理
Line@帳號：@gaofeng
連絡電話：07-236-7296

座號：_____

※注意：(一)本試題為單一選擇題，請選出一個正確或最適當的答案，複選作答者，該題不予計分。
(二)本科目共 50 題，每題 2 分，須用 2B 鉛筆在試卡上依題號清楚劃記，於本試題上作答者，不予計分。
(三)禁止使用電子計算器。

- The police have tried to bring him to _____, but his slick lawyers always get the case thrown out of court.
(A) law (B) rule (C) order (D) justice
- Many people are hooked on horror movies; they love to be scared _____.
(A) out of their wits (B) with ease (C) in line (D) at their loss
- _____ you rather go to the movie with us or stay at home tonight?
(A) Could (B) Would (C) Won't (D) Can't
- It is generally believed that examinations are not the only means of _____ a student's ability.
(A) assuming (B) overseeing (C) propelling (D) assessing
- The manager demands a _____ reply from his coworkers when he sends them a message because he hates to wait.
(A) distinct (B) mutual (C) prompt (D) consistent
- The doctor _____ some painkillers for my backache after a thorough checkup.
(A) prescribed (B) nominated (C) forbade (D) discarded
- Lack of financial resources, the political activists had no choice but using a low-tech _____ form to publish their newspapers.
(A) alternative (B) alternate (C) amenable (D) amiable
- The UN Security Council called for an immediate and _____ humanitarian cease-fire in the Gaze war between Israel and Hamas.
(A) dispensable (B) notorious (C) destructive (D) unconditional
- Each February, people flock to Japan for the Snow Festival in order to see the hundreds of ice _____ and statues carved by ice artists.
(A) summits (B) sculptures (C) syrups (D) stutters
- Russia faces more _____ from the European Union over the Ukraine crisis, but the action likely will hurt EU economies.
(A) delinquents (B) hypocrites (C) immigrants (D) sanctions

請依下文回答第 11 題至第 15 題

The Slow Food movement was initiated when a European journalist, Carlo Petrini, saw that a fast-food restaurant had opened in a beautiful square in Rome. He thought it was tragic that many people today live too 11 to sit down for a proper meal and only eat 12 fast food. He decided that he has to try to do something about it, 13 he started the Slow Food movement. 14 he didn't succeed in banning that fast-food restaurant, Slow Food has become a global organization and now has more than 80,000 members in 100 countries.

Slow Food also encourages people to eat local and regional food, to use local shops and markets, to eat out in small family restaurants, and to cook 15 traditional recipes. As member Jon Winge says, "I think it's such a cool idea. You support the people who produce beautiful products for you."

- (A) quickly (B) quick (C) quietly (D) quiet
- (A) mass-producing (B) mass-produced (C) mass-production (D) mass-produce
- (A) but (B) still (C) yet (D) so
- (A) Because (B) Once (C) Although (D) Since
- (A) as (B) with (C) at (D) below

請依下文回答第 16 題至第 20 題

When a melting glacier released its hold on a 4,000-year-old corpse in September, it was quite rightly called one of the most important archaeological findings of the century. 16 by a German couple hiking at 10,500 feet in the Italian Tyrol near the Austrian border, the partially freeze-dried body still wore remnants of leather garments and boots that had been 17 with straw for insulation. At his side was a bronze ax of a type 18 in southern central Europe around 2000 B.C. On his expedition he had carried an all-purpose stone knife, a wooden back-pack, a bow and a quiver, a small bag 19 a flint lighter and kindling, and an arrow repair kit in a leather pouch. Such everyday gear gives an unprecedented perspective on life in early Bronze Age Europe. "The most exciting thing is that we genuinely appear to be looking at a man who had some kind of 20 in the course of a perfectly ordinary trip," says archaeologist Ian Kinnes of the British Museum. "These are not artifacts placed in a grave, but the fellow's own possessions."

- (A) Endured (B) Enduring (C) Discovered (D) Discovering
- (A) split (B) stuck (C) stuffed (D) spoiled
- (A) typical (B) tropical (C) tragical (D) technical
- (A) interacting (B) deducting (C) alternating (D) containing
- (A) ache (B) accent (C) accident (D) attraction

請依下文回答第 21 題至第 25 題

Scientists in the United States are planning to create lie-detection software for emails and text messages. The new software is being developed by a team led by Jeff Hancock at Cornell University in New York State. "We asked people to come into the labs and write lies and we had other people come in and write the truth," says Hancock. "Using this method, we've developed a database of tens of thousands of emails."

The scientists have analyzed the data and identified a number of methods to predict whether or not a person is lying. One of the most important methods is the length of a message. Lying emails have, on average, 28% more words than truthful messages. Another method is the overuse of sense words, such as "see," "feel," and "touch." "When you're lying, you want the other person to believe you, so you give more details," says Hancock.

Liars also tend to use pronouns like "we" and "they" rather than "I" as a way of distancing themselves from a lie because they feel guilty. "People often use negative emotional words too, because they feel uncomfortable when they're lying," says Hancock. "So they will use terms like "sad," "angry," "unhappy" and "stressed."

Previous research has shown that up to one third of communications at work involve lying of some sort. The most common workplace lie is pretending to be sick to avoid going to work.

But Peter Collett, a psychologist who has written a book on lying, is skeptical about Hancock's work. "You can see if somebody is lying by looking at their body language, how fast they talk, and how they speak," he says. "How can a computer program see all this? They've clearly done a lot of research, but with emails all you have is words."

- 21 Which of the following can be the best title for the passage?
(A) New Computer Software to Catch Lying Emails (B) New Computer Software to Analyze Vocabulary
(C) New Computer Software to Warn People Not to Lie (D) New Computer Software to Help Conduct Research
- 22 Which of the following statements is true about Hancock's experiment?
(A) The same group of people were asked to come into the labs to write both lies and the truth.
(B) The scientists are developing some methods to detect if a person is lying in emails.
(C) The scientists took advantage of previous database of numerous emails.
(D) His experiment found around 28% of communications at work were lies.
- 23 According to the passage, which of the following signs could appear in lying emails?
(A) fewer pronouns in a message (B) being poorly written with grammatical errors
(C) containing an unexpected zip file (D) more words in a message
- 24 Why does the psychologist Peter Collett disagree on Hancock's method?
(A) Because he believes that body language can detect lies.
(B) Because he is unconvinced that computers can detect lies.
(C) Because his published book proves Hancock's experiment wrong.
(D) Because he doubts that the speed of talking can be a better indicator.
- 25 According to Hancock, which of the following words is NOT likely to be found in a lying email?
(A) irritated (B) grieved (C) anxious (D) blessed

請依下文回答第 26 題至第 30 題

Cyberbullying is bullying that takes place using electronic technology. Electronic technology includes 26 and equipment such as cell phones, computers, and tablets as well as communication tools including social media sites, text messages, chat, and websites. Examples of cyberbullying include mean text messages or emails, rumors sent by email or posted on social networking sites, and 27 pictures, videos, websites, or fake profiles. Kids who are being cyberbullied are often bullied in person as well. Additionally, kids who are cyberbullied have a 28 time getting away from the harm. Cyberbullying can happen 24 hours a day, 7 days a week, and reach a kid even when he or she is alone.

Cyberbullying messages and images can be posted anonymously and 29 quickly to a very wide audience. It can be difficult and sometimes impossible to trace the source. Deleting inappropriate or harassing messages, texts, and pictures is extremely difficult after they have been posted or sent.

Cell phones and computers themselves are not to blame for cyberbullying. Social media sites can be used for 30 activities, like connecting kids with friends and family, helping students with school, and for entertainment. But these tools can also be used to hurt other people. Whether done in person or through technology, the effects of bullying are similar.

- 26 (A) directions (B) decisions (C) devices (D) defenses
27 (A) promising (B) embarrassing (C) blessing (D) confessing
28 (A) harder (B) shorter (C) better (D) tender
29 (A) discouraged (B) disconnected (C) distributed (D) distinguished
30 (A) intensive (B) positive (C) restrictive (D) expensive

請依下文回答第 31 題至第 35 題

When people talk about Concorde, they tend to describe it the way one might describe Princess Diana: charming, elegant, and classic. The retired supersonic passenger airliner, still 31 a remarkable achievement of the engineering, first entered service in 1976. It had the most powerful and efficient engines at supersonic speeds. During flight, it would stretch between 6 and 10 inches from its normal length, 32 the heating of the airframe. A special white paint was thus used to help reflect and radiate the heat.

Concorde used to fly regularly from London and Paris to New York and Washington. It flew these routes in 33 half the time of other airlines. A trip from London to New York with Concorde took nearly three hours and thirty minutes as opposed to eight hours with Boeing 777 or Airbus 330. That is to say, it was not 34 for business people to take a day trip to New York and return home in London before pubs closed. With only 20 aircraft built, 35, Concorde was not a success in terms of economic profit. After the aircraft's only crash in 2000 and the 911 terrorist attack in 2001, Concorde was retired in 2003, bringing to an end the era of supersonic passenger transportation.

- 31 (A) thought up (B) regarded as (C) consisted of (D) identified with
 32 (A) as for (B) due to (C) instead of (D) aside from
 33 (A) less than (B) much less (C) much more (D) more than
 34 (A) potential (B) uncommon (C) irresistible (D) aggressive
 35 (A) therefore (B) otherwise (C) however (D) moreover

請依下文回答第 36 題至第 40 題

The Pathways Programs offer clear paths to Federal internships for students from high school through post-graduate school and to careers for recent graduates, and provide meaningful training and career development opportunities for individuals who are at the beginning of their Federal service. As a student or recent graduate, you can begin your career in the Federal government by choosing the path that best describes you and where you are in your academics:

1. **Internship Program:** This program is for current students enrolled in a wide variety of educational institutions from high school to graduate level, with paid opportunities to work in agencies and explore Federal careers while still in school.

2. **Recent Graduates Program:** This program is for individuals who have recently graduated from qualifying educational institutions or programs and seek a dynamic, career development program with training and mentorship. To be eligible, applicants must apply within two years of degree or certificate completion (except for veterans precluded from doing so due to their military service obligation, who will have up to six years to apply).

3. **Presidential Management Fellows Program:** For more than three decades, the PMF Program has been the Federal government's premier leadership development program for advanced degree candidates. This program is now for individuals who have received a qualifying advanced degree within the preceding two years.

For additional information on the Pathways Programs overall, please visit <http://www.opm.gov/HiringReform/Pathways/>.

- 36 What is this passage mainly about?
 (A) Degree counseling. (B) Job opportunities. (C) Graduate programs. (D) Leadership training.
- 37 What is the mission of the "Pathways Programs"?
 (A) To help students find cycling routes. (B) To prepare students to work for the government.
 (C) To advise students who want to explore the world. (D) To give students tips for finding jobs in the society.
- 38 Where can one find further information about the Pathways Programs?
 (A) At a local news agency.
 (B) At a local tourist information center.
 (C) At the official website of the government.
 (D) At the official website of a university research program.
- 39 Which program can high school students apply for?
 (A) The Internship Program. (B) The Hiring Reform Program.
 (C) The Recent Graduates Program. (D) The Presidential Management Fellows Program.
- 40 Which of the following groups can apply for the Recent Graduates Program up to six years?
 (A) Students who are currently working part-time.
 (B) Students who are currently studying at a graduate program.
 (C) Graduates who cannot apply because of their military service duties.
 (D) Graduates who have applied within two years of degree completion.

請依下文回答第 41 題至第 45 題

Marianne Moore (1887-1972) once said that her writing could be called poetry only because there was no other name for it. Indeed her poems appear to be extremely compressed essays that happen to be printed in jagged lines on the page. Her subjects were varied: animals, laborers, artists, and the craft of poetry. From her general reading came quotations that she found striking or insightful. She included these in her poems, scrupulously enclosed in quotation marks and sometimes identified in footnotes. Of this practice, she wrote, “‘Why the many quotation marks?’ I am asked. . . when a thing has been said so well that it could not be said better, why paraphrase it? Hence my writing is, if not a cabinet of fossils, a kind of collection of flies in amber.” Close observation and concentration on detail are the methods of her poetry.

Marianne Moore grew up in Kirkwood, Missouri, near St. Louis. After graduation from Bryn Mawr College in 1909, she taught commercial subjects at the Indian school in Carlisle, Pennsylvania. Later, she became a librarian in New York City. During the 1920’s, she was editor of *The Dial*, an important literary magazine of the period. She lived quietly all her life, mostly in Brooklyn, New York. She spent a lot of time at the Bronx Zoo, fascinated by animals. Her admiration of the Brooklyn Dodgers—before the team moved to Los Angeles—was widely known.

Her first book of poems was published in London in 1921 by a group of friends associated with the imagist movement. From that time on, her poetry has been read with interest by succeeding generations of poets and readers. In 1952, she was awarded the Pulitzer Prize for her *Collected Poems*. She wrote that she did not write poetry “for money or fame. To earn a living is needful, but it can be done in routine ways. One writes because one has a burning desire to objectify what is indispensable to one’s happiness to express....”

- 41 According to this passage, which of the following is NOT a subject in Moore's writing?
 (A) Artists. (B) Fossils. (C) Animals. (D) Workers.
- 42 What does Moore refer to as "flies in amber"?
 (A) Concentration on details. (B) Quotations in her poetry.
 (C) Poetry in the twentieth century. (D) A common image in her poetry.
- 43 According to the passage, which of the following jobs was not held by Moore?
 (A) Teacher. (B) Librarian. (C) Magazine editor. (D) Commercial artist.
- 44 What is this passage mainly about?
 (A) The use of quotations in poetry. (B) Essayists and poets of the 1920’s.
 (C) Marianne Moore’s life and work. (D) The influence of the imagism on Marianne Moore.
- 45 According to the passage, which of the following can be inferred about Moore’s poems?
 (A) They tend to be subjective. (B) They were all published in *The Dial*.
 (C) They do not use traditional verse forms. (D) They are better known in Europe than in the US.

請依下文回答第 46 題至第 50 題

Are you interested in making a French omelet? Below are some steps you may follow:

First, whisk together the eggs until just mixed, then season. Lay out any fillings by the hob. Second, heat a pan over a medium-high flame and add the butter and “swirl” to coat. When the foam begins to die down, pour in the eggs. They should sizzle. Third, shake the pan to distribute the eggs evenly, then leave for 20 seconds until they begin to bubble. Add any filling such as onion, corn, mushrooms, etc. Next, use a fork to draw in the sides of the eggs to the center while shaking the pan to redistribute the liquid to the edges. The omelet is done when still slightly runny in the middle. Finally, take off the heat, and fold two edges into the middle. Shake the pan so they roll together, then tilt it and turn your omelet on to a warm plate (you can tidy it up before serving if you like). Season with salt and pepper, and then eat immediately!

What’s your favorite omelet recipe, and are you a stirrer or a shaker? And can these delicate French omelets ever compete with a whopping British half moon, oozing with cheese, and served with chips?

- 46 What is the best title for this passage?
 (A) How to Make a French Omelet
 (B) How to Use Instruments to Make Omelets
 (C) How to Distribute Eggs When Making an Omelet
 (D) How to Distinguish French Omelets from British Half Moons
- 47 According to the passage, which of the following statements is true?
 (A) The butter should be put into a pan after the pan is heated.
 (B) We should season the eggs before whisking them together.
 (C) We should leave the omelet for 20 seconds before we eat it.
 (D) The omelet is undone if it is still slightly runny in the middle.
- 48 Which of the following ingredients is NOT mentioned in the passage?
 (A) Corn. (B) Onion. (C) Tomatoes. (D) Mushrooms.
- 49 What does the word “swirl” mean?
 (A) Beat. (B) Stir. (C) Press. (D) Burn.
- 50 Who is most likely to be the author of this passage?
 (A) An artist. (B) A gourmet. (C) A politician. (D) An engineer.

測驗式試題標準答案

考試名稱：107年公務人員特種考試關務人員、身心障礙人員考試及107年國軍上校以上軍官轉任公務人員考試

類科名稱：機械工程、紡織工程、電機工程、資訊處理、一般行政、化學工程、關稅會計

科目名稱：英文（試題代號：4201）

單選題數：50題

單選每題配分：2.00分

複選題數：

複選每題配分：

標準答案：

更多關務考試科目的歷屆題庫
立即上網搜尋“關務考試歷屆考古題”
高鋒公職補習班整理
Line@帳號：@gaofeng
連絡電話：07-236-7296

題號	第1題	第2題	第3題	第4題	第5題	第6題	第7題	第8題	第9題	第10題
答案	D	A	B	D	C	A	A	D	B	D

題號	第11題	第12題	第13題	第14題	第15題	第16題	第17題	第18題	第19題	第20題
答案	A	B	D	C	B	C	C	A	D	C

題號	第21題	第22題	第23題	第24題	第25題	第26題	第27題	第28題	第29題	第30題
答案	A	B	D	B	D	C	B	A	C	B

題號	第31題	第32題	第33題	第34題	第35題	第36題	第37題	第38題	第39題	第40題
答案	B	B	A	B	C	B	B	C	A	C

題號	第41題	第42題	第43題	第44題	第45題	第46題	第47題	第48題	第49題	第50題
答案	B	B	D	C	C	A	A	C	B	B

題號	第51題	第52題	第53題	第54題	第55題	第56題	第57題	第58題	第59題	第60題
答案										

題號	第61題	第62題	第63題	第64題	第65題	第66題	第67題	第68題	第69題	第70題
答案										

題號	第71題	第72題	第73題	第74題	第75題	第76題	第77題	第78題	第79題	第80題
答案										

題號	第81題	第82題	第83題	第84題	第85題	第86題	第87題	第88題	第89題	第90題
答案										

題號	第91題	第92題	第93題	第94題	第95題	第96題	第97題	第98題	第99題	第100題
答案										

備註：

107年公務人員特種考試關務人員、身心障礙人員考試及
107年國軍上校以上軍官轉任公務人員考試試題

考試別：關務人員考試、身心障礙人員考試
等別：四等考試
類科：各科別、各類科
科目：法學知識（包括中華民國憲法、法學緒論）
考試時間：1小時

更多關務考試科目的歷屆題庫
立即上網搜尋“關務考試歷屆考古題”
高鋒公職補習班整理
Line@帳號：@gaofeng
連絡電話：07-236-7296

座號：_____

※注意：(一)本試題為單一選擇題，請選出一個正確或最適當的答案，複選作答者，該題不予計分。
(二)本科目共 50 題，每題 2 分，須用 2B 鉛筆 在試卡上依題號清楚劃記，於本試題上作答者，不予計分。
(三)禁止使用電子計算器。

- 依司法院大法官解釋意旨，關於公共場所中個人是否有隱私權之敘述，下列何者正確？
(A)公共場所中沒有隱私權，因個人已經同意暴露在公眾的注視下，而沒有合理隱私期待
(B)公共場所中仍有隱私權，個人只要是從事私人活動，均得主張免於他人注視或監看
(C)公共場所中仍有隱私權，狗仔隊得否跟拍名人，仍應個案權衡
(D)公共場所中沒有隱私權，國家實施臨檢之場所，以公共場所為限
- 下列何者不屬於總統的權限？
(A)公布法律、發布命令
(B)決定國家安全大政方針
(C)國家機密特權
(D)議決條約
- 下列有關赦免權之敘述，何者錯誤？
(A)赦免權包括大赦、特赦、減刑及復權
(B)大赦案須經行政院會議議決、向立法院提出
(C)總統依法行使大赦權
(D)行政院對立法院通過之大赦案，得提出覆議
- 現行修憲程序，最可能與下列那一公民權利有關？
(A)選舉權
(B)罷免權
(C)創制權
(D)複決權
- 制定公民投票法之主要目的，是為了實現何種基本權利？
(A)言論自由
(B)創制複決權
(C)選舉權
(D)服公職權
- 下列何者並非憲法增修條文明定規定應經公民複決程序之議案？
(A)憲法修正案
(B)領土變更案
(C)總統、副總統罷免案
(D)全國性公共政策（如設立博弈特區等）
- 關於結社自由之敘述，下列何者錯誤？
(A)人民團體法第 2 條「人民團體之組織與活動，不得主張共產主義與分裂國土」之規定已被大法官宣告違憲
(B)我國並無「政黨法」，政黨之成立由人民團體法規範
(C)公務人員得組織工會
(D)犯罪性質之結社，得限制之
- 下列何者並非憲法第 23 條明定，限制人民基本權利時應符合之原則？
(A)比例原則
(B)平等原則
(C)法律保留原則
(D)公益原則
- 依司法院大法官解釋，大學碩士班招生簡章對於入學資格所設限制，與下列何者並無關聯？
(A)平等權
(B)受國民教育之權利
(C)大學自治
(D)受教育之公平機會
- 依司法院大法官解釋，關於平等之敘述，下列何者錯誤？
(A)憲法第 7 條所定之平等權，係為保障人民在法律上地位之實質平等
(B)憲法第 7 條規定之 5 種禁止歧視事由，係屬列舉
(C)立法機關基於憲法之價值體系及立法目的，自得斟酌規範事物性質之差異而為合理之區別對待
(D)等者等之，不等者不等之，為憲法平等原則之基本意涵
- 依司法院大法官解釋意旨，下列何者不屬於憲法第 11 條保障之大學自治事項？
(A)教職員工退休撫卹
(B)課程設計
(C)教師聘任與升等
(D)學生成績評量

- 12 依司法院大法官解釋意旨，下列關於商業性言論的敘述，何者正確？
(A)菸品標示是商業性言論，屬於低價值言論，不受憲法言論自由保障
(B)強制菸品標示尼古丁，焦油等成分之規定，對於菸商的財產權不構成任何限制
(C)商業性言論所受到的保護較低，故對廣告採取事前審查不違憲
(D)若商業性言論內容有虛偽不實或產生誘導作用，政府得立法加以限制
- 13 關於我國憲法第 8 條之敘述，下列何者正確？
(A)現行犯之逮捕程序，屬於憲法保留
(B)警察機關非經法官同意，不得對人民為逮捕拘禁
(C)人民因犯罪被逮捕拘禁，在逮捕拘禁為違法的前提下，本人或他人得聲請法院於 24 小時內提審
(D)非由法院依法定程序，不得審問處罰。此處的「法院」限於法官，不包括檢察官
- 14 依司法院大法官解釋，下列何者屬於不得修改之修憲界限？
(A)制度性保障規範 (B)國會選舉制度 (C)三民主義 (D)權力分立與制衡之原則
- 15 下列何者非屬司法院大法官之職權？
(A)解釋憲法 (B)審理政黨違憲解散案件
(C)調查及處理不當黨產案件 (D)統一解釋法令
- 16 有關居住或遷徙自由，下列敘述何者錯誤？
(A)限制居住或遷徙自由，應符合比例原則
(B)居住自由之保障，不以擁有財產權為必要
(C)強制土地所有權人參與自辦市地重劃程序，並不侵害其居住自由
(D)外國人在我國境內移居，亦受遷徙自由之保障
- 17 依憲法增修條文第 1 條規定，立法院提出憲法修正案，應經多久之公告，且應於多久時間內進行投票複決？
(A)公告 3 個月，於 3 個月內投票複決 (B)公告半年，於 3 個月內投票複決
(C)公告半年，於半年內投票複決 (D)公告 3 個月，於半年內投票複決
- 18 憲法所稱固有疆域範圍之界定，大法官在司法院釋字第 328 號解釋中，稱之為何種行為？
(A)法律行為 (B)統治行為 (C)政治行為 (D)立法行為
- 19 依憲法前言與本文，下列敘述何者正確？
(A)中華民國基於五權憲法為民主共和國 (B)三民主義是指民有民治民享
(C)憲法規定中華民國領土為臺澎金馬 (D)立法院可以提出領土變更案，交由公民複決
- 20 憲法第 1 條規定我國國體為民主共和國，下列何者非共和國之內涵？
(A)國家元首經由選舉產生 (B)國家元首任期有限
(C)多數人共同決定國家政治 (D)國家元首為君主
- 21 下列何者非行政院所屬機關？
(A)公務人員保障暨培訓委員會 (B)國立故宮博物院
(C)原住民族委員會 (D)國軍退除役官兵輔導委員會
- 22 關於人民聲請解釋憲法，下列敘述何者錯誤？
(A)政黨得為聲請人 (B)聲請人須主張憲法上之權利遭受不法侵害
(C)聲請人須用盡通常救濟途徑 (D)聲請釋憲之標的為所有公權力行為
- 23 依憲法增修條文之規定，總統在下列何種情況不得解散立法院？
(A)戒嚴期間 (B)立法院院長出國期間 (C)立法委員選舉期間 (D)立法院休會期間
- 24 下列何者非屬立法院之職權？
(A)聽取總統國情報告 (B)行使司法院大法官之人事同意權
(C)議決大赦案 (D)複決經公民投票通過之憲法修正案
- 25 下列那一項憲法規定或原則，並非司法院大法官解釋所指明的修憲界限？
(A)國民主權原則
(B)保障人民權利之規定
(C)權力分立原則
(D)增修條文前言有關「為因應國家統一前之需要」等文字

- 26 我國在民國 97 年修正性別工作平等法時，特別加上禁止就業上性傾向歧視之規定，其立法主要原義是？
- (A)鼓勵同性戀
 - (B)提升我國之勞動參與率
 - (C)順應國際上性別主流化之潮流
 - (D)保障這類性別上少數族裔之工作權，並增進我國職場性別多元化
- 27 性別工作平等法中有關哺乳之規定，下列何者為錯誤？
- (A)雇主設置哺乳室，除非法律另有規定，並非強制一定要設置
 - (B)法定哺乳時間內視為工作時間，故可領全薪
 - (C)只有女性受僱者才能申請哺乳時間
 - (D)親自哺乳不限餵哺母乳，牛乳及羊乳等替代品亦屬之
- 28 根據勞動基準法第 12 條規定，在下列那一情形下，雇主得不經預告勞工終止勞動契約？
- (A)無正當理由繼續曠工，一星期內達兩日者
 - (B)業務性質變更，有減少勞工之必要時
 - (C)故意損耗機器、工具、原料、產品，致雇主受有損害者
 - (D)勞工對於所擔任之工作確不能勝任時
- 29 根據勞動基準法第 53 條規定，勞工有下列那一情形可以自請退休？
- (A)工作十五年以上年滿五十五歲者
 - (B)工作五年以上年滿六十五歲者
 - (C)工作十年以上年滿五十五歲者
 - (D)工作二十年以上
- 30 依公司法之規定，下列何人可以擔任公司監察人？
- (A)曾犯詐欺罪，經受有期徒刑 1 年以上之宣告，服刑期滿尚未逾 2 年者
 - (B)公司經理人
 - (C)與董事為配偶或直系血親
 - (D)當選為董事之法人股東
- 31 下列有關著作權授權之敘述，何者錯誤？
- (A)依其內容可分為專屬授權與非專屬授權
 - (B)專屬授權之被授權人得以自己名義為訴訟行為
 - (C)非專屬授權後，權利人將著作財產權讓與他人，非專屬授權將受到影響
 - (D)在專屬授權範圍內，著作財產權人不得行使權利
- 32 下列何者非屬刑法第 57 條所列舉之法官在科刑時應特別注意事項？
- (A)犯罪行為人之品行
 - (B)犯罪行為人之智識程度
 - (C)犯罪行為人之生活狀況
 - (D)犯罪行為人之再犯危險
- 33 行為人因故意或過失使自己陷於無責任能力狀態而為犯罪行為時，依刑法規定應如何處理？
- (A)依行為時無責任能力而不罰
 - (B)依行為時無故意過失而不罰
 - (C)依行為時有責任能力而處罰
 - (D)依行為時有故意過失但不罰
- 34 關於刑法之幫助犯，下列敘述何者錯誤？
- (A)幫助他人實行犯罪，需他人知幫助之情
 - (B)幫助行為包括了物理上與精神上之助力
 - (C)對犯罪之事後幫助，並不會構成幫助犯
 - (D)對犯罪之幫助，必須對犯罪具有有效助力
- 35 下列犯罪行為都是臺灣人在中華民國領域外之詐欺犯罪，何者不適用中華民國刑法？
- (A)臺灣人 5 人集團從肯亞，詐騙在臺灣的臺灣人
 - (B)臺灣人假冒臺北地檢署檢察官，詐騙在印尼的臺灣人
 - (C)臺灣人假冒香港廉政官，詐騙在香港的臺灣人
 - (D)臺灣人以網際網路工具，詐騙在越南的越南人
- 36 下列何者不是無償契約？
- (A)承攬
 - (B)無利息之消費借貸
 - (C)贈與
 - (D)使用借貸

- 37 民法上租賃契約，下列敘述何者正確？
(A)租賃契約為要物契約 (B)租賃契約為財產權利用型契約
(C)租賃契約為無償契約 (D)租賃契約為要式契約
- 38 當事人約定一方於一定或不定之期限內，向他方繼續供給定量或不定量之一定種類、品質之物，而由他方按一定之標準支付價金之契約，稱之為：
(A)繼續性供給契約 (B)消費借貸契約 (C)租賃契約 (D)承攬運送契約
- 39 有關意思表示敘述，下列何項錯誤？
(A)限制行為能力人用詐術使人信其為有行為能力人，其法律行為有效
(B)表意人為單獨虛偽意思表示，其情形為相對人所明知者，該意思表示為有效
(C)表意人與相對人為通謀虛偽意思表示，其情形為第三人所明知者，得以其無效對抗第三人
(D)法定代理人於限制行為能力人就其營業有不勝任之情形時，得撤銷獨立營業之允許，但不得對抗善意第三人
- 40 關於契約之終止，下列敘述何者錯誤？
(A)委任契約雙方當事人均得任意終止
(B)承攬契約雙方當事人均得任意終止
(C)就連續發生的債務為保證而未定期間者，保證人得隨時終止保證契約
(D)人事保證未定期間者，保證人得隨時終止保證契約
- 41 甲將其所有之錢存放到銀行的活期存款帳戶（非支票存款帳戶），下列敘述何者錯誤？
(A)銀行與甲之間的契約為委任契約 (B)銀行與甲之間的契約為消費寄託
(C)銀行對甲負有善良管理人的注意義務 (D)甲可隨時請求銀行返還其所存的錢
- 42 「我國為共和國，日本為君主國」，此敘述涉及下列何者？
(A)國體 (B)政體 (C)政府體制 (D)權力分立
- 43 下列何者非屬憲法規範之內涵？
(A)權力分立 (B)保障基本人權 (C)司法審查 (D)行政院院長任期
- 44 探求立法者原意而解釋法律規定之方法，乃運用下列何種法律解釋？
(A)限縮解釋 (B)文義解釋 (C)歷史解釋 (D)反面解釋
- 45 不告不理係下列何項機關適用法律之原則？
(A)行政機關 (B)司法機關 (C)監察機關 (D)立法機關
- 46 行政罰法第 9 條規定：「未滿十四歲人之行為，不予處罰。」此乃係涉及何種法律效力之限制？
(A)人的效力 (B)物的效力 (C)地的效力 (D)時的效力
- 47 關於立法院審議預算案，下列敘述何者正確？
(A)立法院審議預算案不得為增加支出之提議
(B)預算案應經二讀會議決之
(C)預算案係屬措施性法律，應由立法院提出
(D)核四停建屬行政院執行預算案之裁量，立法院無參與決策之議決權
- 48 我國現行的法律體系主要係繼受自下列那一個法系？
(A)英美法系 (B)北歐法系 (C)歐陸法系 (D)遠東法系
- 49 下列何者不是民法之性質？
(A)國內法 (B)實體法 (C)任意法 (D)行政法
- 50 下列何者對於英美法系的描述為錯誤？
(A)英美法系又稱海洋法系
(B)英美法系又稱為普通法系
(C)英美法系乃是以習慣與判例作為其法律的主要形式
(D)英美法系國家中，不可能有成文法典

測驗題標準答案更正

考試名稱：107年公務人員特種考試關務人員、身心障礙人員考試及107年國軍上校以上軍官轉任公務人員考試

類科名稱：一般行政、關稅會計、資訊處理、機械工程、電機工程、化學工程、紡織工程、一般行政、一般民政、教育行政、財稅行政、法院書記官、經建行政、農業技術、土木工程、電力工程、資訊處理、化學工程、衛生技術

科目名稱：法學知識（包括中華民國憲法、法學緒論）

更多關務考試科目的歷屆題庫
立即上網搜尋“關務考試歷屆考古題”
高鋒公職補習班整理
Line@帳號：@gaofeng
連絡電話：07-236-7296

單選題數：50題

單選每題配分：2.00分

複選題數：

複選每題配分：

標準答案：答案標註#者，表該題有更正答案，其更正內容詳見備註。

題號	第1題	第2題	第3題	第4題	第5題	第6題	第7題	第8題	第9題	第10題
答案	C	D	D	D	B	D	#	B	B	B

題號	第11題	第12題	第13題	第14題	第15題	第16題	第17題	第18題	第19題	第20題
答案	A	D	D	D	C	C	B	B	#	D

題號	第21題	第22題	第23題	第24題	第25題	第26題	第27題	第28題	第29題	第30題
答案	A	D	A	D	D	D	C	C	A	C

題號	第31題	第32題	第33題	第34題	第35題	第36題	第37題	第38題	第39題	第40題
答案	C	D	C	A	C	A	B	A	B	B

題號	第41題	第42題	第43題	第44題	第45題	第46題	第47題	第48題	第49題	第50題
答案	A	A	D	C	B	A	A	C	D	D

題號	第51題	第52題	第53題	第54題	第55題	第56題	第57題	第58題	第59題	第60題
答案										

題號	第61題	第62題	第63題	第64題	第65題	第66題	第67題	第68題	第69題	第70題
答案										

題號	第71題	第72題	第73題	第74題	第75題	第76題	第77題	第78題	第79題	第80題
答案										

題號	第81題	第82題	第83題	第84題	第85題	第86題	第87題	第88題	第89題	第90題
答案										

題號	第91題	第92題	第93題	第94題	第95題	第96題	第97題	第98題	第99題	第100題
答案										

備註：第7題答B或C或BC者均給分，第19題一律給分。

107年公務人員特種考試關務人員、
身心障礙人員考試及107年國軍上校
以上軍官轉任公務人員考試試題

代號：20430

全一張
(正面)

考試別：關務人員考試
等別：四等考試
類科：機械工程
科目：機械力學概要
考試時間：1小時30分

更多關務考試科目的歷屆題庫
立即上網搜尋“關務考試歷屆考古題”
高鋒公職補習班整理
Line@帳號：@gaofeng
連絡電話：07-236-7296

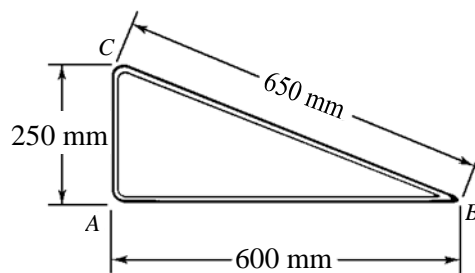
座號：_____

※注意：(一)可以使用電子計算器。

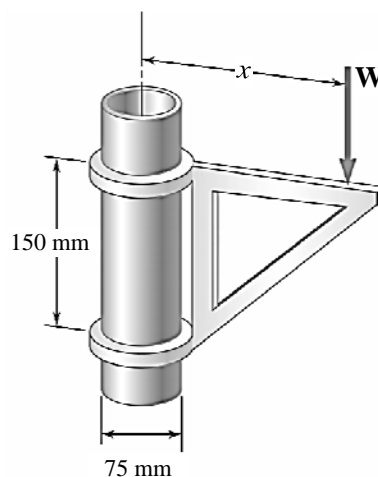
(二)不必抄題，作答時請將試題題號及答案依照順序寫在試卷上，於本試題上作答者，不予計分。

(三)本科目除專門名詞或數理公式外，應使用本國文字作答。

- 一、在高度 150 m 之平台上，一起重機需於 2 分鐘將水平地面上之 2000 kg 物體以等速吊升至該平台，評估起重機與馬達機組之機械效益為 88%，請問至少需要挑選多少馬力 (HP) 的馬達才能完成該事？(10 分)
- 二、下圖顯示一由均質鐵線所組構成的封閉曲線構造物，如將該構造物置於一平面上，請找出重心之所在。(20 分)



- 三、下圖顯示一套合於圓管、可上下移動之托架及它們的尺寸，圓管與托架間之摩擦係數為 0.25。今該托架將承受一 W 之負荷，則負荷施加位置 x 至少應為何，才不至於使托架下滑？(假設托架自重極小於 W 而可忽略)(20 分)



(請接背面)

107年公務人員特種考試關務人員、
身心障礙人員考試及107年國軍上校
以上軍官轉任公務人員考試試題

代號：20430

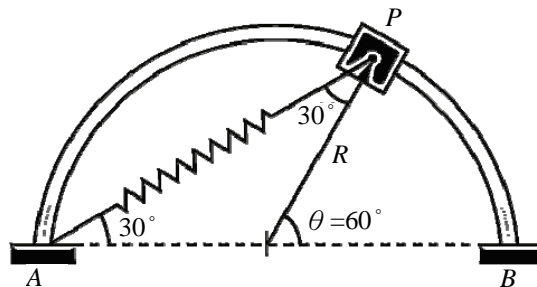
全一張
(背面)

考試別：關務人員考試
等別：四等考試
類科：機械工程
科目：機械力學概要

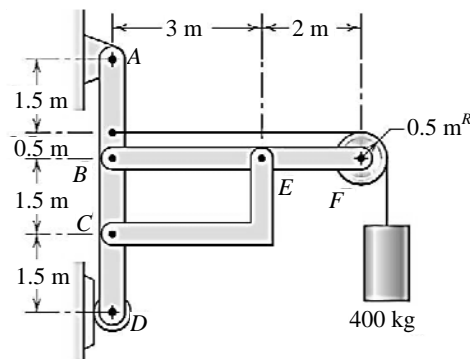
更多關務考試科目的歷屆題庫
立即上網搜尋“關務考試歷屆考古題”
高鋒公職補習班整理
Line@帳號：@gaofeng
連絡電話：07-236-7296

四、下圖顯示質量 1 kg 之滑塊 P 沿一半圓弧形軌道 APB 滑動，彈簧 AP 一端固定於 A 點、另一端則固定於滑塊 P 上。彈簧之彈性常數為 500 N/m ，其未受力之長度與軌道半徑 R 同為 250 mm 。假設摩擦與彈簧質量皆可忽略，當滑塊 P 被推置到 $\theta = 60^\circ$ 位置後，自靜止釋放。試求：(每小題 10 分，共 20 分)

- (一) P 之切線加速度。
(二) 軌道對滑塊之反力。



五、下圖顯示一結構藉由一半徑 0.5 m 之滑輪及一索線懸掛一 400 kg 的重物，假設各桿件重量可忽略不計，請算出桿件 BEF 與桿件 CE 的受力情形。(30 分)



107年公務人員特種考試關務人員、
身心障礙人員考試及107年國軍上校
以上軍官轉任公務人員考試試題

代號：20450 全一頁

考試別：關務人員考試
等別：四等考試
類科：機械工程
科目：機械原理概要
考試時間：1小時30分

更多關務考試科目的歷屆題庫
立即上網搜尋“關務考試歷屆考古題”
高鋒公職補習班整理
Line@帳號：@gaofeng
連絡電話：07-236-7296

座號：_____

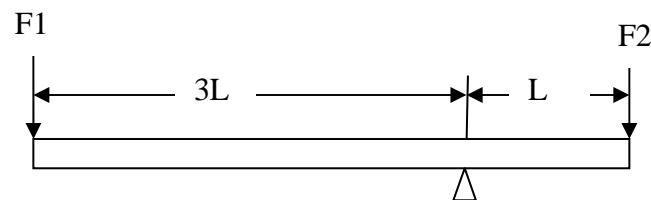
※注意：(一)可以使用電子計算器。

(二)不必抄題，作答時請將試題題號及答案依照順序寫在試卷上，於本試題上作答者，不予計分。

(三)本科目除專門名詞或數理公式外，應使用本國文字作答。

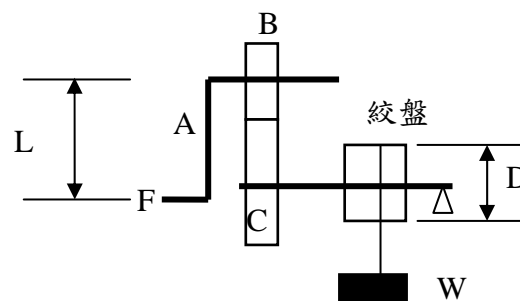
一、列出四種間歇運動機構，並說明其原理。(20分)

二、一個槓桿如下圖所示，若其機械效率為 0.5， F_1 為負載， F_2 為施力，則機械利益為多少？(20分)

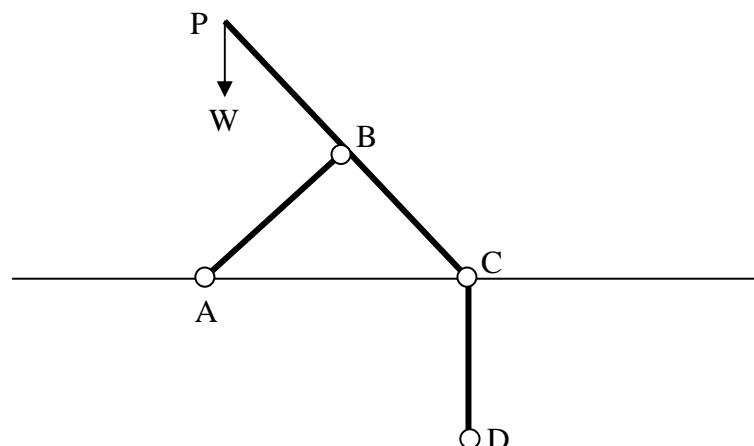


三、一滾珠軸承之基本額定負載為 10800 N，若受到一個徑向 700 N 之負載，則其預期壽命為何？並說明在相同的壽命下，如果想要增加負載有何作法。(20分)

四、如下圖所示之起重機，由一曲柄 A (力臂長 L)、兩個齒輪 (B 及 C) 及一個直徑為 D 之絞盤組成。若要用 F 的力量來推曲柄 A 拉起 W 之重物，求齒輪 B 及 C 之直徑。齒輪之模數為 m ，B 齒輪之齒數為 T 。(20分)



五、如下圖所示之吊起機構 (修正型司羅氏直線運動機構) 之瞬間位置，此時 P 點吊一重物 W ，請算出 D 點需多大的扭矩 T 才能平衡？圖中 AB 桿垂直於 PC 桿，BC 桿和平面夾角 45° ，B 為 PC 桿 (長度 $2L$) 之中點，DC 桿長為 L 。(20分)



106年公務人員特種考試關務人員考試、
106年公務人員特種考試身心障礙人員考試及
106年國軍上校以上軍官轉任公務人員考試試題

14120
代號： |
14720

全一張
(正面)

考試別：關務人員考試
等別：四等考試
類科：各科別
科目：國文（作文、公文與測驗）
考試時間：2小時

更多關務考試科目的歷屆題庫
立即上網搜尋“關務考試歷屆考古題”
高鋒公職補習班整理
Line@帳號：@gaofeng
連絡電話：07-236-7296

座號：_____

※注意：禁止使用電子計算器。

甲、作文與公文部分：

- (一)請以藍、黑色鋼筆或原子筆在申論試卷上由左至右橫式作答，於本試題上作答者，不予計分。
(二)不得於試卷上書寫姓名或入場證號。

一、作文：（60分）

當前的社會已進入網路時代，人們的生活因可透過線上交流而方便許多。但由此滋生的不法事件與不良影響也所在多有；特別是在傳遞訊息與發表意見上，因撰寫人無須具名，可規避責任與懲罰，乃出現不少扭曲事實、汙衊霸凌等言論，不僅造成當事人無可彌補的傷害，也常引發社會的騷動與不安的氛圍。請以「如何善用網路言論」為題，作文一篇。

二、公文：（20分）

去年，韓國、日本與中國大陸的家禽養殖業因禽流感侵襲而受到重創。今年初，行政院農業委員會檢出國內也出現禽流感病例，而使家禽養殖業者大為緊張，消費者人心惶惶。行政院立即成立跨部會管控中心，由行政院農業委員會主導，期使疫情逐漸消弭。試擬行政院農業委員會致衛生福利部、行政院環境保護署、內政部、全國各地方政府函，請立即擬訂有效計畫，強化防疫工作，並定期向行政院農業委員會函報疫情控管情形。

乙、測驗部分：（20分）

代號：2141

- (一)本測驗試題為單一選擇題，請選出一個正確或最適當的答案，複選作答者，該題不予計分。
(二)共10題，每題2分，須用2B鉛筆在試卡上依題號清楚劃記，於本試題或申論試卷上作答者，不予計分。

- 杜甫〈江漢〉：「江漢思歸客，乾坤一腐儒。片雲天共遠，永夜月同孤。落日心猶壯，秋風病欲蘇。古來存老馬，不必取長途。」下列選項的敘述，何者與此詩所表現的意旨最為貼近？
(A)老驥伏櫪，志在千里
(B)心曠神怡，寵辱偕忘
(C)遲暮飄零，黯然自傷
(D)宦海浮沈，嚮往歸隱
- 下列選項何者錯誤？
(A)松柏之茂：比喻長青不衰
(B)柏舟之誓：比喻患難之交
(C)貞松勁柏：比喻人的高尚節操
(D)餐松啖柏：形容修仙學道者超塵脫俗的生活
- 子曰：「士志於道，而恥惡衣惡食者，未足與議也。」（《論語·里仁》）根據上文，孔子所強調的精神是：
(A)朝聞道，夕死可矣
(B)不可與言而與之言，失言
(C)一簞食，一瓢飲，回也不改其樂
(D)車馬輕裘，與朋友共，敝之而無憾
- 「遊戲，是最早也是最好的模仿學習。扮家家酒，是模仿大人居家生活的進退禮儀，學習倫理；削刻番石榴樹的枝柯，成為完美的陀螺，不就是雕刻才藝的傳承？跳繩，何時進，何時退，不就是人生舞臺上常要扮演的藝術？誰人拉，誰人跳，誰是主，誰是從，不就是政治舞臺常見的戲碼？千萬不可忽略，人，與生俱來的遊戲本能，更不可忽略，遊戲所帶來的生活機能。」（蕭蕭〈八卦山下的自然童玩〉）下列選項，何者不是本文敘述的重點？
(A)透過童玩的製作，可以見到一個人的工藝巧思
(B)參與遊戲的過程，可以見到一個人的處世態度
(C)遊戲人間的心態，是政治舞臺上最常見的戲碼
(D)遊戲是人的本能，是生活機能最好的演練學習

（請接背面）

106年公務人員特種考試關務人員考試、	14120	全一張 (背面)
106年公務人員特種考試身心障礙人員考試及	代號：	
106年國軍上校以上軍官轉任公務人員考試試題	14720	

考試別：關務人員考試
 等別：四等考試
 類科：各科別
 科目：國文（作文、公文與測驗）

- 5.《禮記·禮運》：「子曰：『大道之行也，天下為公，選賢與能，講信脩睦，故人不獨親其親，不獨子其子，使老有所終，壯有所用，幼有所長。』」根據上文，孔子所嚮往的理想世界是：
- (A)賢者與民並耕而食，饗殮而治 (B)各親其親，各子其子，貨力為己
 (C)老者安之，朋友信之，少者懷之 (D)先王有不忍人之心，斯有不忍人之政
- 6.我們總有太多的來不及。我們總以為時間會等我們，容許我們從頭再來，彌補缺憾。豈不知「撒旦如吼叫的獅子，遍地遊行，尋找可吞噬的人。」災難永遠在我們猝不及防的時候當頭砸下，你無從躲避，無能怯懼，心膽俱碎，招架無力。我們唯一能做的，只不過在還來得及的時候，小心呵護手中的珍寶，一刻也不要放鬆。依據上文，下列選項表達最正確的是：
- (A)努力讓自己在還來得及的時候，成為更豐富的人
 (B)一旦開始工作，你就會覺得時間很寶貴，一刻都不能放鬆
 (C)不向最親愛的爸媽、親人、愛人、手足、朋友表達及時的愛，是不被允許的
 (D)來不及的愛，來不及表達的歉意，來不及挽回的錯誤，我們總有太多的來不及
- 7.梁啟超云：「學問之功，貴乎循序漸進，經久不輟，故一日不必要多時。」下列選項符合上文意旨的是：
- (A)為山九仞，功虧一簣 (B)九層之臺，起於累土
 (C)凡事豫則立，不豫則廢 (D)君子務本，本立而道生
- 8.從晚清文人呼籲文學改良以來，有關中國文學「如何現代」的辯論已經超過百年。回顧一個世紀的文學論述，我們不難發現「革命」和「啟蒙」形成兩大基調。這樣的論述當然反映現代中國文學與歷史的密切關聯，但久而久之，也成為一種慣性話語。有關主義與國家的辯證，早已成為老生常談；即使時至今日，種種名目的反帝、反殖民論述，新左、新自由主義，依然不脫此一脈絡。本文提議在革命、啟蒙之外，「抒情」代表中國文學現代性——尤其是現代主體建構——的又一面。這是容易引起疑義的命題。因為一般論述對「抒情」有成見，或視為無關宏旨的遐想，或歸諸主觀情緒的耽溺；左翼傳統裏，「抒情」更帶出唯心走資等聯想。論者對「抒情」的輕視固然顯示對國族、政教大敘述不敢須臾稍離，也同時暴露一己的無知：他們多半仍不脫簡化了的西方浪漫主義說法，外加晚明「情教」論以來的泛泛之辭。（王德威《現代抒情傳統四論》）根據此段議論，下列敘述何者錯誤？
- (A)左翼的文學觀念認為抒情是一種意識型態
 (B)抒情的心理活動，足以做為現代文學的主體
 (C)中國文學現代化應該以革命、啟蒙、抒情為三面向
 (D)近代浪漫主義與情教論束縛了抒情做為現代文學基調的可能性
- 9.「做學問就要當做日常生活天天切實去做，光靠年輕時一陣苦讀是不夠的，學問像下墜的物體，一開始還緩慢，隨著時日加速度，愈久速率愈增加，就像近五十年的知識開發，勝過前五千年的知識開發，我從這種『加速度進步』的體察中，領悟了『大器晚成』真正的涵義所在，這不是有心求成的急切期待所能辦到的。」此文意涵，下列選項敘述正確的是：
- (A)善於利用無心的收穫，轉禍為福，有心未必肯做的事，無心之間反而帶領你做得更出色
 (B)做學問只管從容縱浪，自自然然前進，到後來聞一知十，旁通互貫，無意間學問就大了
 (C)在危疑之際，能夠神明愈定，智慮無餘，臨到大事，能深明艱苦曲折，耐煩耐勞，以底於成
 (D)世局儘管無常，吾道卻是有常，亂世中不改節度的君子，就像風雨雞鳴，最是令人肅然起敬
- 10.下列成語，何者可用來比喻「助人為惡」？
- (A)畫虎成犬 (B)為虎作倀 (C)暴虎馮河 (D)狐假虎威

測驗式試題標準答案

考試名稱：106年公務人員特種考試關務人員考試、106年公務人員特種考試身心障礙人員考試及
106年國軍上校以上軍官轉任公務人員考試

類科名稱：電機工程、化學工程、機械工程、資訊處理、一般行政、紡織工程、關稅會計

科目名稱：國文（作文、公文與測驗）（試題代號：2141）

單選題數：10題

單選每題配分：2.00分

複選題數：

複選每題配分：

標準答案：

更多關務考試科目的歷屆題庫
立即上網搜尋“關務考試歷屆考古題”
高鋒公職補習班整理
Line@帳號：@gaofeng
連絡電話：07-236-7296

題號	第1題	第2題	第3題	第4題	第5題	第6題	第7題	第8題	第9題	第10題
答案	A	B	C	C	C	D	B	B	B	B

題號	第11題	第12題	第13題	第14題	第15題	第16題	第17題	第18題	第19題	第20題
答案										

題號	第21題	第22題	第23題	第24題	第25題	第26題	第27題	第28題	第29題	第30題
答案										

題號	第31題	第32題	第33題	第34題	第35題	第36題	第37題	第38題	第39題	第40題
答案										

題號	第41題	第42題	第43題	第44題	第45題	第46題	第47題	第48題	第49題	第50題
答案										

題號	第51題	第52題	第53題	第54題	第55題	第56題	第57題	第58題	第59題	第60題
答案										

題號	第61題	第62題	第63題	第64題	第65題	第66題	第67題	第68題	第69題	第70題
答案										

題號	第71題	第72題	第73題	第74題	第75題	第76題	第77題	第78題	第79題	第80題
答案										

題號	第81題	第82題	第83題	第84題	第85題	第86題	第87題	第88題	第89題	第90題
答案										

題號	第91題	第92題	第93題	第94題	第95題	第96題	第97題	第98題	第99題	第100題
答案										

備註：

106年公務人員特種考試關務人員考試、106年公務人員特種考試
身心障礙人員考試及106年國軍上校以上軍官轉任公務人員考試試題

考試別：關務人員考試

等別：四等考試

類科：各科別

科目：英文

考試時間：1小時

更多關務考試科目的歷屆題庫
立即上網搜尋“關務考試歷屆考古題”
高鋒公職補習班整理
Line@帳號：@gaofeng
連絡電話：07-236-7296

座號：_____

※注意：(一)本試題為單一選擇題，請選出一個正確或最適當的答案，複選作答者，該題不予計分。

(二)本科目共 50 題，每題 2 分，須用 2B 鉛筆 在試卡上依題號清楚劃記，於本試題上作答者，不予計分。

(三)禁止使用電子計算器。

- John has been walking in the sun for two hours. He needs a lot of water to _____ his thirst.
(A)enact (B)siege (C)quench (D)fertilize
- Most caves form over hundreds of thousands of years, as water _____ the rock and wears it away.
(A)coincides (B)dissolves (C)mobilizes (D)stimulates
- Leaks from underground gas pipes caused a series of _____ that injured and killed many people in the city.
(A)constructions (B)explosions (C)identifications (D)transportations
- There is a sale at the electronic store and all computers are _____ by 20%.
(A)overthrown (B)discounted (C)preserved (D)restored
- In the business world, you can usually tell what kind of a person you are speaking to by the kind of jobs they are doing or the _____ they have in their organizations.
(A)position (B)itinerary (C)accent (D)spouse
- Furniture sold online may be cheaper but often needs to be _____ by the customers themselves.
(A)repaired (B)assembled (C)treated (D)adjusted
- If you want to open a bank account, you must provide proof of _____.
(A)property (B)liberty (C)identity (D)ability

請依下文回答第 8 題至第 10 題

Modern life brings with it a wide range of illness and diseases, and a variety of cures and remedies. Nowadays, patients are told to lead a less 8 life if they can possibly do so, as this is one of the main reasons for sickness in the western world. In other parts of the world there are other reasons for illness like poor 9. Cities in many countries cause problems because they have serious levels of pollution, often arising from the number of cars, but also from factories. Doctors 10 different kinds of medicine to counter illness, the most common of which are antibiotics.

- (A)stressful (B)nutritious (C)moderate (D)patient
- (A)sanitation (B)education (C)population (D)reputation
- (A)ascribe (B)prescribe (C)transcribe (D)describe
- 11 Evolving from traditional hand puppet show, Pili Puppet Theater has become one of the fastest growing creative industries in Taiwan. Established by the Huang family in Yuenlin, Taiwan, the puppet shows have been a family business and _____ passed on from generation to generation.
(A)album (B)legacy (C)evolution (D)voyage
- 12 Unlike hand puppet shows, Pili puppet shows have become more complicated and contained more fantasies in it. In order to shoot a series of TV drama, the Huang brothers, who have cooperated to run the family business, have created hundreds of puppet characters and used computer-generated effects to make their production of fighting scenes even more _____ to viewers.
(A)capable (B)grateful (C)appealing (D)resistant
- 13 In their creation of Pili puppets, each one of these puppets is stylish with stunning make-up and a handsome hairstyle and has their own distinct personality. There is _____ that these newly bred puppet characters can capture the hearts of many fans who are willing to devote their time and energy to the worship of these Pili puppets.
(A)no wonder (B)no use (C)no saying (D)no knowing
- 14 With the steady growing of their Pili business, the Huang brothers have _____ the market by making many goods out of their puppet shows.
(A)turned up (B)grown up (C)opened up (D)used up

15 Apart from making many series of TV drama, they have also produced several movies with many Pili puppets playing roles in them. _____ being only a traditional art form, the Huang brothers have helped transform Taiwanese puppets into something larger than life and have made them highly visible not only in Taiwan but also in the rest of the world.

- (A)Because of (B)Regardless of (C)Despite of (D)Instead of

請依下文回答第 16 題至第 20 題

In the book *Mostly Harmless*, by Douglas Adams, a man from Earth travels to a strange planet. The people on the planet don't have technology. At first, the man thinks he can become the people's leader because he knows about technology. However, he soon realizes he can't create technology by himself. As Adams writes in the book, "By himself, he couldn't build a toaster. He could just make a sandwich, and that was it."

In 2010, a British designer named Thomas Thwaites was inspired by the story. After reading it, he decided to build an electric toaster by himself, using raw materials. To begin his "Toaster Project," Thwaites looked at all toasters in a store. He bought the cheapest toaster because he thought that it would be the easiest to build. He took it apart to see what it was made of. Although the toaster seemed simple, it had 400 different pieces! These pieces were made from about a hundred different materials from all over the world.

16 What is this passage mainly about?

- (A)It is not complicated to build a toaster. (B)It is not difficult to understand technology.
(C)It is not harmless to travel to another planet. (D)It is not right to take technology for granted.

17 Who is the "himself" in the first paragraph?

- (A)The space traveler in *Mostly Harmless*. (B)The writer, Douglas Adams.
(C)The British designer, Thomas Thwaites. (D)The author of this passage.

18 Why did Thwaites decide to make a toaster by himself?

- (A)Making a toaster was a project for his work. (B)He gained the idea from the book, *Mostly Harmless*.
(C)He did not make enough money from designing. (D)He thought he knew everything but technology.

19 What did Thwaites find about the toaster?

- (A)He could travel to a hundred countries for the 100 pieces.
(B)He was capable of building one by himself.
(C)Building a toaster required resources from many places.
(D)Building a toaster could help his business.

20 Which of the following statements is true?

- (A)Thwaites falsely assumed that the cheapest toaster was easy to make.
(B)Making a sandwich was the only thing the author of the book could do.
(C)The character in the book could not take the toaster apart by himself.
(D)Thwaites had no problem finding all the pieces needed for building a toaster.

21 Between 2004 and 2013, the UK suffered 400 terrorist attacks, _____ in Northern Ireland, and almost all of them were non-lethal.

- (A)fairly (B)imperially (C)lively (D)mostly

22 _____ is king in Paris. Restaurants provide varied and refined menus to tempt the palate.

- (A)Autonomy (B)Gastronomy (C)Mythology (D)Sovereignty

23 A _____ is said to have the magic power to conjure up a ghost from the thin air.

- (A)butcher (B)wizard (C)knight (D)squire

24 In the last year of the previous millennium, many end-of-the-world believers expected to acquire _____ experiences.

- (A)alcoholic (B)emphatic (C)apocalyptic (D)enthusiastic

25 Crops heavily sprayed while growing retain _____ residues even after washing.

- (A)beverage (B)fossil (C)galaxy (D)pesticide

26 Researchers are discovering that the unconscious mind is a powerful tool when it _____ to making important decisions.

- (A)arrives (B)comes (C)goes (D)likes

27 You should have a big meal to start your day but simple food for dinner. Eat breakfast like a king, lunch like a prince and dinner like a _____.

- (A)parachute (B)peasant (C)poetry (D)province

28 After several days of treatment for acute morning sickness, the pregnant First Lady was finally _____ from hospital.

- (A)divided (B)promoted (C)released (D)escaped

- 29 Many women took _____ surgery to make themselves look prettier.
(A)electric (B)historic (C)realistic (D)plastic
- 30 The residents nearby had to _____ the inconvenience caused by the road construction.
(A)tolerate (B)harvest (C)possess (D)contain

請依下文回答第 31 題至第 33 題

Many sports are associated with specific countries. Baseball is considered “America’s pastime,” and Scotland is 31 the “home of golf.” These countries, like others, developed their own national sports and eventually shared their hobbies with the rest of the world. 32, not all countries have been as successful at exploring their national pastimes. Japan, 33, has never managed to attract as much interest from the rest of the world in sumo wrestling.

- 31 (A)found as (B)known as (C)created as (D)played as
32 (A)However (B)Moreover (C)Finally (D)Otherwise
33 (A)instead (B)sequentially (C)nevertheless (D)for example

請依下文回答第 34 題至第 37 題

Solving crimes is one of the most important jobs of law enforcement. Improvements in crime technology help detectives solve crimes faster today. For example, crime labs have new kinds of DNA testing, which can identify body fluids such as blood, sweat, and saliva. There are also new kinds of fingerprint testing. In the past, fingerprint testing was only helpful if the fingerprints from the crime scene could be matched with “prints” that were already on file. People whose fingerprints were not on file couldn’t be identified in this way, and as a result, many crimes had not been solved.

However, the newest kind of fingerprint testing can do much more than simply record a fingerprint pattern. It can provide additional information, such as the age and sex of its owner. The fingerprints can reveal if the person takes medication, too. But the latest technology does even more. It can even get fingerprints from fabric, for example, blankets or curtains. In a recent case, the police in Tacoma, Washington, found the body of a woman who had been murdered in her bedroom. There was no witness, and her apartment had few clues. The only real evidence did not seem very helpful. The victim’s bed sheet had some of her blood on it and looked as if someone had wiped his hands. At the time of the murder, it was impossible to identify a fingerprint from fabric. The detectives were unable to use the evidence, but they saved it anyway. Then they called Eric Berg, who was not only a forensic expert, but a computer expert, too. He had spent years developing computer software to improve crime scene photos. Eric used his computer to make the palm print more apparent. When he was done, he gave the evidence to the detectives. The detectives found a man whose palm print matched a print on file. Only two hours later the suspect was arrested and put in jail.

- 34 What is the main idea of this passage?
(A)Modern technology helps prevent many crimes.
(B)Law enforcement is the foundation of social security.
(C)The newest kind of fingerprint testing helps solve crimes.
(D)The police should do something to prevent crimes, especially murders.
- 35 How is the new fingerprint testing different from the old ones?
(A)It can identify body fluids, such as blood, sweat, and saliva.
(B)It relies on fingerprints taken from the crime scene.
(C)It can reveal if the person has taken any medicine.
(D)It can record a fingerprint pattern.
- 36 What is a “forensic expert” good at doing?
(A)Repairing computers. (B)Working with evidence.
(C)Interrogating suspects. (D)Judging if a suspect tells the truth.
- 37 Which of the following statements is true?
(A)Fingerprint testing is rarely used to solve modern crimes.
(B)It is still impossible to get fingerprints from cloth.
(C)Eric Berg developed a new software to improve photos of crime scenes.
(D)Eric Berg’s technology doesn’t help much in solving older crimes.

請依下文回答第 38 題至第 42 題

The triathlon is a recent sport. It is demanding and difficult because it is three sports in one. It includes a 2.4-mile swim, a 112-mile bike race, and a 26.2-mile marathon. The top tri-athletes finish all three events in about eight hours. Many say that it is a true test of an athlete's body and mind. It really takes a lot of strength and willpower to compete.

Triathlons began in California in the early 1970s. There, some athletes started the three-sport race because they wanted to make their training exciting. One of these athletes moved to Hawaii and took the sport with him. In 1978, competitors held the first professional triathlon race in Hawaii. It was called the Ironman World Championship. In 1982, this race became famous because of the televised performance of Julie Moss. She was twenty-three years old, and it was her first competition. Exhausted, she was running toward the finish line. Suddenly, three meters before the line, she fell down. She tried to get up, but she kept falling. She finally crawled across the finish line. Television cameras showed the world her dramatic struggle. This was the start of the Ironman's popularity. Even though Julie Moss lost that year, she tried again. Finally, in 1985, she won Ironman Japan.

- 38 What is this passage mainly about?
 (A)The tri-athlete Julie Moss. (B)Swimming and bicycling.
 (C)The development of the triathlon. (D)The Ironman World Championship.
- 39 Which of the following sports is NOT included in the triathlon?
 (A)Bicycling. (B)Running. (C)Swimming. (D)Weightlifting.
- 40 Which of the following statements about the triathlon is true?
 (A)The sport that has the longest distance in the triathlon is running.
 (B)Some athletes started this sport to make their training exciting.
 (C)The first Ironman World Championship was held in California.
 (D)An athlete in Hawaii started this three-sport race in the early 1970s.
- 41 When did the triathlon start to become a popular sport?
 (A)In the early 1970s. (B)In 1978. (C)In 1982. (D)In 1985.
- 42 Which of the following statements about Julie Moss is true?
 (A)She won the Ironman race the first time she attended it.
 (B)She won the Ironman World Championship in 1982.
 (C)She brought the three-sport race to Hawaii in 1978.
 (D)She was the winner of Ironman Japan in 1985.
- 43 My cell phone was lost, and my brother said he would lend the money for a new one _____ it is returned within six months.
 (A)in case (B)not until (C)in order that (D)on condition that
- 44 Naomi _____ in San Francisco for six years when her company transferred her to New York.
 (A)lived (B)had lived (C)was living (D)had been lived
- 45 The silent film is said to have an extraordinary power to draw the audience into the story, and a equally powerful capacity to _____ their imagination.
 (A)limit (B)control (C)perceive (D)stretch

請依下文回答第 46 題至第 50 題

A stereotype is a thought that may be adopted about specific types of individuals or certain ways of doing things, but that belief may or may not accurately reflect reality. The term *stereotype* 46 the Greek word *stereos*, "firm, solid," and *typos*, "impression," hence "solid impression."

The term comes from the printing trade and was first 47 in 1798 by Firmin Didot to describe a printing plate that duplicated any typography. The duplicate printing plate, or the stereotype, is used for printing instead of the 48.

The first 49 to "stereotype" in its modern use in English, outside of printing, was found in 1850, meaning "image perpetuated without change." But it was not until 1922 that "stereotype" was first used in the modern psychological sense by American journalist Walter Lippmann in his work *Public Opinion*. Today, the word is widely used within and 50 different psychology disciplines, and there are different concepts and theories of stereotyping that provide their own expanded definition of the word.

- 46 (A)results in (B)depends on (C)breaks into (D)derives from
 47 (A)supposed (B)reviewed (C)adopted (D)indicated
 48 (A)original (B)primary (C)equivalent (D)opposite
 49 (A)reference (B)entrance (C)solution (D)passage
 50 (A)below (B)over (C)upon (D)across

測驗式試題標準答案

考試名稱：106年公務人員特種考試關務人員考試、106年公務人員特種考試身心障礙人員考試及
106年國軍上校以上軍官轉任公務人員考試

類科名稱：資訊處理、電機工程、紡織工程、化學工程、機械工程、一般行政、關稅會計

科目名稱：英文（試題代號：4141）

單選題數：50題

單選每題配分：2.00分

複選題數：

複選每題配分：

標準答案：

更多關務考試科目的歷屆題庫
立即上網搜尋“關務考試歷屆考古題”
高鋒公職補習班整理
Line@帳號：@gaofeng
連絡電話：07-236-7296

題號	第1題	第2題	第3題	第4題	第5題	第6題	第7題	第8題	第9題	第10題
答案	C	B	B	B	A	B	C	A	A	B

題號	第11題	第12題	第13題	第14題	第15題	第16題	第17題	第18題	第19題	第20題
答案	B	C	A	C	D	D	A	B	C	A

題號	第21題	第22題	第23題	第24題	第25題	第26題	第27題	第28題	第29題	第30題
答案	D	B	B	C	D	B	B	C	D	A

題號	第31題	第32題	第33題	第34題	第35題	第36題	第37題	第38題	第39題	第40題
答案	B	A	D	C	C	B	C	C	D	B

題號	第41題	第42題	第43題	第44題	第45題	第46題	第47題	第48題	第49題	第50題
答案	C	D	D	B	D	D	C	A	A	D

題號	第51題	第52題	第53題	第54題	第55題	第56題	第57題	第58題	第59題	第60題
答案										

題號	第61題	第62題	第63題	第64題	第65題	第66題	第67題	第68題	第69題	第70題
答案										

題號	第71題	第72題	第73題	第74題	第75題	第76題	第77題	第78題	第79題	第80題
答案										

題號	第81題	第82題	第83題	第84題	第85題	第86題	第87題	第88題	第89題	第90題
答案										

題號	第91題	第92題	第93題	第94題	第95題	第96題	第97題	第98題	第99題	第100題
答案										

備註：

代號：1141
頁次：4-1

106年公務人員特種考試關務人員考試、106年公務人員特種考試身心障礙人員考試及106年國軍上校以上軍官轉任公務人員考試試題

考試別：關務人員考試、身心障礙人員考試
等別：四等考試
類科：各科別、各類科
科目：法學知識（包括中華民國憲法、法學緒論）
考試時間：1小時

更多關務考試科目的歷屆題庫
立即上網搜尋“關務考試歷屆考古題”
高鋒公職補習班整理
Line@帳號：@gaofeng
連絡電話：07-236-7296

座號：_____

※注意：(一)本試題為單一選擇題，請選出一個正確或最適當的答案，複選作答者，該題不予計分。
(二)本科目共 50 題，每題 2 分，須用 2B 鉛筆 在試卡上依題號清楚劃記，於本試題上作答者，不予計分。
(三)禁止使用電子計算器。

- 地方自治法規由地方立法機關制定者稱為：
(A)自治條例 (B)自治規則 (C)行政規則 (D)職權命令
- 依憲法增修條文之規定，關於監察委員之敘述，下列何者正確？
(A)監察院設監察委員 19 人，並以其中 1 人為院長、1 人為副院長
(B)監察委員任期 4 年，由總統提名，經立法院同意任命之
(C)監察院之彈劾案，須經監察委員 3 人以上之提議
(D)監察委員須超出黨派以外，依據法律獨立行使職權
- 下列何者非屬憲法賦予司法之職權？
(A)刑事執行 (B)民事訴訟 (C)行政訴訟 (D)憲法解釋
- 依憲法增修條文第 5 條之規定，下列何種事項由司法院大法官組成憲法法庭加以審理？
(A)行政院院長之彈劾事項 (B)地方自治法規違憲爭議事項
(C)政黨違憲之解散事項 (D)總統選舉之無效事項
- 依據憲法規定，立法院每年會期為何時？
(A)立法院會期，每年兩次，自行集會，第一次自 2 月至 5 月底，第二次自 8 月至 10 月底，必要時得延長之
(B)立法院會期，自 7 月至 11 月底，必要時得延長之
(C)立法院會期，自 9 月至 12 月底，必要時得延長之
(D)立法院會期，每年兩次，自行集會，第一次自 2 月至 5 月底，第二次自 9 月至 12 月底，必要時得延長之
- 下列何官員之任命，無須經過立法院同意？
(A)公務人員保障暨培訓委員會主任委員 (B)大法官
(C)中央選舉委員會委員 (D)審計長
- 依據司法院釋字第 342 號解釋，下列關於議會自律之敘述，何者錯誤？
(A)立法院審議法案，在不牴觸憲法範圍內，得自行訂定議事規範
(B)法律案之立法程序如有爭議，尚有待調查，應由立法院自行認定
(C)議會自律之事項屬釋憲機關之審查對象
(D)立法程序除有明顯重大瑕疵外，不受釋憲機關審查
- 下列有關行政院院長及其部會首長任免之敘述，何者錯誤？
(A)享有任命行政院院長之權限者為總統
(B)行政院院長之法定任期為 4 年
(C)行政院院長辭職，於新任院長人選尚未決定前，由行政院副院長代理院長
(D)行政院副院長、各部會首長及政務委員係由行政院院長提請總統任命
- 根據憲法本文之規定，總統依法公布法律，發布命令，須經過下列何種程序？
(A)諮詢國家安全會議 (B)立法院院長之同意 (C)行政院院會之決議 (D)行政院院長之副署
- 依憲法規定及司法院大法官解釋意旨，對人民結社自由所為之限制，下列何者違憲？
(A)規範宗教團體財產之管理、處分 (B)禁止設立主張共產主義之人民團體
(C)限制人民團體名稱之選用 (D)解散危害中華民國存在之政黨

- 11 依憲法第 81 條保障法官身分之意旨，下列何種人事行政措施，得以司法行政命令定之？
(A)停職 (B)轉任 (C)減俸 (D)免兼庭長
- 12 根據司法院釋字第 577 號解釋，關於菸害防制法要求應標示尼古丁與焦油含量之規定，下列敘述何者錯誤？
(A)菸品標示之相關規定違反法律明確性原則
(B)菸品容器上應標示之義務，係屬對於菸品業者財產權之限制
(C)商品標示受言論自由之保障
(D)菸品標示之相關規定，並無違背比例原則
- 13 依據司法院釋字第 445 號解釋之見解，所謂「表現自由」，除憲法第 11 條規定的言論、講學、著作及出版自由外，還包括：
(A)身體自由 (B)集會自由 (C)秘密通訊自由 (D)應考試之權
- 14 依據司法院釋字第 490 號解釋，下列何者不屬於憲法第 13 條信仰宗教保障之範圍？
(A)人民有信仰與不信仰任何宗教之自由 (B)人民有參與或不參與宗教活動之自由
(C)宗教團體可從事營利活動 (D)國家不得對特定信仰予優待或不利益
- 15 依司法院釋字第 443 號解釋，國家剝奪人民生命之行為，其規範密度為何？
(A)須以憲法定之 (B)須以法律定之
(C)法律得授權以命令定之 (D)機關得依職權以命令定之
- 16 臺灣憲法學會會員改選學會理、監事之行為，受下列何種基本權之保障？
(A)選舉權 (B)職業自由 (C)結社自由 (D)學術自由
- 17 依司法院大法官解釋意旨，指紋乃重要個人資訊，個人對其指紋資訊之自主控制，受下列何項權利之保障？
(A)人身自由 (B)表意自由 (C)資訊公開請求權 (D)資訊隱私權
- 18 依司法院大法官解釋意旨，關於通訊傳播之自由，下列敘述何者錯誤？
(A)通訊傳播自由可從憲法第 11 條之言論自由導出
(B)法律將國家通訊傳播委員會設計為獨立機關，與通訊傳播自由之保障無關
(C)基於通訊傳播自由，人民得使用通訊傳播設施，以取得資訊及發表言論
(D)通訊傳播自由課予立法者積極立法之義務，對於相關組織及程序進行規範，以防止資訊壟斷
- 19 關於財產權之保障，下列敘述何者錯誤？
(A)徵收之目的不限於公用 (B)徵收之範圍不限於土地
(C)財產權為制度性保障之權利 (D)財產權受到憲法絕對之保障
- 20 禁止非視障者從事按摩業，依司法院釋字第 649 號解釋之見解，係屬於對職業自由何種內容之限制？
(A)職業執行之限制 (B)職業自由主觀條件之限制
(C)職業自由客觀條件之限制 (D)職業準備行為之限制
- 21 憲法之修改，經立法院立法委員四分之一之提議後，尚須經何種程序始得提出憲法修正案？
(A)立法委員過半數之出席，及出席委員過半數之決議
(B)立法委員過半數之出席，及出席委員三分之二之決議
(C)立法委員三分之二之出席，及出席委員四分之三之決議
(D)立法委員四分之三之出席，及出席委員四分之三之決議
- 22 憲法第 140 條規定，現役軍人不得兼任文官。依照司法院大法官解釋之意旨，下列敘述何者錯誤？
(A)現役軍人違法失職，不適用監察院彈劾後移送司法院公務人員懲戒委員會審議之規定
(B)現役軍人具有文官之法定資格，退伍後轉任文官，與憲法並無牴觸
(C)外職停役人員轉任文官後，得回服現役或晉升軍階，有文武不分、牴觸憲法之疑義
(D)現役軍人因文職機關之需要，在未屆退役年齡前辦理外職停役，轉任文官，難謂牴觸憲法

- 23 憲法第 153 條規定，國家為改良勞工之生活，應制定保護勞工之法律，實施保護勞工之政策。下列敘述何者正確？
- (A)勞動基準法規定雇主負擔給付勞工退休金之義務，此屬於保護勞工之規定，勞工請求退休金給付之權利係屬私法上之權利
- (B)立法者課雇主負擔勞工退休金之給付義務，一體適用於所有勞雇關係，不利中小企業，違背憲法第 7 條之平等原則
- (C)立法者同時兼採勞工保險條例之老年給付與勞動基準法之勞工退休金，已過度限制雇主之契約自由與財產權
- (D)立法者就保護勞工生活之立法選擇，本應隨社會整體發展而隨時檢討，並無參酌國際勞工公約之必要
- 24 憲法增修條文並未明文保障軍人退役後之何種權益？
- (A)求學 (B)醫療 (C)置產 (D)就養
- 25 依司法院釋字第 328 號解釋，憲法所稱固有疆域範圍之界定，為下列何種問題，故不應由行使司法權之釋憲機關予以解釋？
- (A)種族問題 (B)政治問題 (C)社會問題 (D)法律問題
- 26 下列何者非性別工作平等法之適用對象？
- (A)家庭主婦 (B)公務人員 (C)教育人員 (D)軍職人員
- 27 發生在學校內教職員相互間之性騷擾行為，應依下列何法來加以處理？
- (A)社會秩序維護法 (B)性別平等教育法 (C)性騷擾防治法 (D)性別工作平等法
- 28 有關行政機關適用法律之原則，下列敘述何者錯誤？
- (A)行政機關應主動適用法律 (B)行政機關適用法律時，於法律規定下有裁量自由
- (C)行政機關適用法律時不受上級機關指揮監督 (D)行政機關適用法律時得訂定行政規則
- 29 投保單位非於勞工到職、入會、到訓之當日列表通知保險人者，其保險效力之開始，自下列何時起算？
- (A)應為通知之當日 (B)應為通知之翌日 (C)通知之當日 (D)通知之翌日
- 30 下列有關道德之敘述，何者錯誤？
- (A)道德屬於不成文行為規範 (B)道德屬於柔性規範
- (C)道德規範若經立法即成為法律規範 (D)違反道德規範應受法律制裁
- 31 甲於報紙刊登廣告，僅聲明：「凡拍得臺灣石虎近照者，給新臺幣 3 萬元獎金」，乙依廣告拍得照片，該著作權原則上歸屬於誰？
- (A)刊登廣告人甲 (B)行為人乙
- (C)刊登廣告人甲與行為人乙共有 (D)由法院裁定
- 32 關於刑法第 123 條準受賄罪之敘述，下列何者錯誤？
- (A)行為人於行為時尚不具備公務員身分 (B)本罪包含違背職務與不違背職務之情形
- (C)須於任職後履行職務上的承諾 (D)本罪之處罰，得依所準用之受賄罪減輕之
- 33 關於刑法第 128 條越權受理訴訟罪之敘述，下列何者錯誤？
- (A)本罪所謂之訴訟事件，包含行政訴訟 (B)本罪之主觀要件限於行為人明知之情形
- (C)本罪之行為主體包含一般公務員 (D)本罪之行為包含應受理而不受理之情形
- 34 關於刑法第 131 條第 1 項公務員圖利罪之敘述，下列何者錯誤？
- (A)本罪之成立以實際上確有獲取利益者為限 (B)本罪包括圖利國庫之情形
- (C)本罪包括間接圖利自己之情形 (D)行為人須明知其違背法令
- 35 買賣之物，僅指定種類而其物有瑕疵，但出賣人並未保證其品質，且非故意不告知物之瑕疵時，買受人不得主張下列何種權利？
- (A)解除契約 (B)請求減少價金
- (C)請求不履行之損害賠償 (D)請求另行交付無瑕疵之物

- 36 民法有關婚生子女的從姓，下列敘述何者錯誤？
(A)子女已成年後，變更為父姓或母姓，須經父母之同意
(B)父母於子女出生登記前，應以書面約定子女從父姓或從母姓
(C)父母對子女之從姓未約定或約定不成者，於戶政事務所抽籤決定
(D)父母離婚者，法院得依父母之一方或子女的請求，為子女的利益，宣告變更子女之姓氏為父姓或母姓
- 37 下列何者不是單務契約？
(A)租賃 (B)使用借貸 (C)贈與 (D)保證
- 38 乙承租甲所有之汽車，乙並僱用丙為其駕駛。下列敘述何者正確？
(A)丙是直接占有人 (B)丙是自主占有人 (C)乙是直接占有人 (D)乙是自主占有人
- 39 下列何者得為代理行為之客體？
(A)離婚 (B)結婚 (C)設質 (D)收養
- 40 依司法院釋字第 709 號解釋，都市更新條例之規定並未直接抵觸下列何種保障？
(A)生存權 (B)財產權 (C)居住自由 (D)正當行政程序
- 41 張三認為其姓名權受主管機關侵害，對於確定終局判決所適用之法律，認為侵害其憲法所保障之權利時，應如何主張其憲法上保障之權利？
(A)應主張歐洲人權公約 (B)應主張憲法明文所保障基本權之類推適用
(C)應主張憲法基本權保障之概括規定 (D)應主張為憲法之慣例
- 42 有關行政裁量之敘述，下列何者錯誤？
(A)法院可以對行政裁量是否有瑕疵加以審查 (B)行政機關之行政裁量，應作合義務性裁量
(C)於羈束行政，行政機關仍得行使行政裁量 (D)行政裁量可區分為決定裁量與選擇裁量
- 43 適用法律之行政機關或司法機關在解釋法律時，應儘量朝合於憲法、不違背憲法之方向加以解釋，對於此項法律解釋之方法，學理上稱之為下列何者？
(A)系統性解釋 (B)目的性解釋 (C)合憲性解釋 (D)制度性解釋
- 44 在適用法律時，原則上應儘先考量下列何項解釋？
(A)司法解釋 (B)立法解釋 (C)行政解釋 (D)學者解釋
- 45 法務部修正發布「個人資料保護法施行細則」後，應即如何處理？
(A)送立法院審查 (B)送行政院核定 (C)送司法院大法官審查 (D)送總統公告
- 46 下列何者得就違反地方自治事項之行政業務，規定行政罰？
(A)自治條例 (B)自治規則 (C)委辦規則 (D)自律規則
- 47 下列那一個不是由立法院通過，總統公布之法規？
(A)公寓大廈管理條例施行細則 (B)地方稅法通則
(C)公民投票法 (D)土地徵收條例
- 48 志明與春嬌是交往多年的男女朋友，因手頭拮据，只辦結婚登記，計畫等子女出生後，再補辦婚禮宴客，依現行規定如此安排是否會影響婚姻的效力？
(A)不會，當兩人同居生子後，其婚姻自動準正而生效
(B)不會，現行婚姻採登記主義，可不須舉辦公開結婚儀式
(C)會，結婚登記僅具推定效果，當事人可提婚姻不成立訴訟
(D)會，婚姻採儀式主義，未辦公開結婚儀式無效
- 49 下列有關英美法之敘述，何者錯誤？
(A)英美法系發展出衡平法 (B)英美法注重判例法
(C)英美法系國家並無成文法 (D)英美法系也可以稱為海洋法系
- 50 下列對於判例的說明，何者錯誤？
(A)我國判例的效力優先於成文法
(B)我國法院裁判所適用的判例，當事人認為有違憲之虞，依法可聲請大法官解釋
(C)英美法體系是以習慣法及判例為中心
(D)在大陸法體系中，法院判例僅具有補充法律之效力

測驗題標準答案更正

考試名稱：106年公務人員特種考試關務人員考試、106年公務人員特種考試身心障礙人員考試及
106年國軍上校以上軍官轉任公務人員考試

類科名稱：一般行政、關稅會計、資訊處理、機械工程、電機工程、化學工程、紡織工程、一般行政、社會行政、人事
行政、戶政、地政、教育行政、財稅行政、執達員、交通行政、土木工程、機械工程

科目名稱：法學知識（包括中華民國憲法、法學緒論）

單選題數：50題

單選每題配分：2.00分

複選題數：

複選每題配分：

更多關務考試科目的歷屆題庫
立即上網搜尋“關務考試歷屆考古題”
高鋒公職補習班整理
Line@帳號：@gaofeng
連絡電話：07-236-7296

標準答案：答案標註#者，表該題有更正答案，其更正內容詳見備註。

題號	第1題	第2題	第3題	第4題	第5題	第6題	第7題	第8題	第9題	第10題
答案	A	D	A	C	D	A	C	B	D	B

題號	第11題	第12題	第13題	第14題	第15題	第16題	第17題	第18題	第19題	第20題
答案	D	A	B	C	B	C	D	B	D	C

題號	第21題	第22題	第23題	第24題	第25題	第26題	第27題	第28題	第29題	第30題
答案	D	A	A	C	B	A	#	C	D	D

題號	第31題	第32題	第33題	第34題	第35題	第36題	第37題	第38題	第39題	第40題
答案	B	D	D	B	C	A	A	C	C	A

題號	第41題	第42題	第43題	第44題	第45題	第46題	第47題	第48題	第49題	第50題
答案	C	C	C	B	A	A	A	B	C	A

題號	第51題	第52題	第53題	第54題	第55題	第56題	第57題	第58題	第59題	第60題
答案										

題號	第61題	第62題	第63題	第64題	第65題	第66題	第67題	第68題	第69題	第70題
答案										

題號	第71題	第72題	第73題	第74題	第75題	第76題	第77題	第78題	第79題	第80題
答案										

題號	第81題	第82題	第83題	第84題	第85題	第86題	第87題	第88題	第89題	第90題
答案										

題號	第91題	第92題	第93題	第94題	第95題	第96題	第97題	第98題	第99題	第100題
答案										

備註：第27題答C或D或CD者均給分。

106年公務人員特種考試關務人員考試、
106年公務人員特種考試身心障礙人員考試及
106年國軍上校以上軍官轉任公務人員考試試題

代號：14430

全一張
(正面)

考試別：關務人員考試

等別：四等考試

類科：機械工程

科目：機械力學概要

考試時間：1小時30分

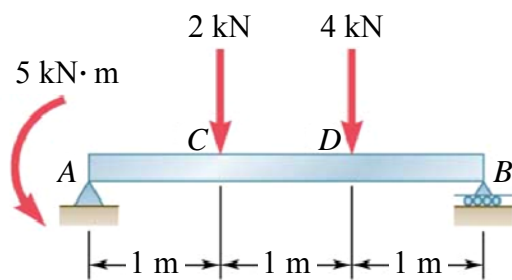
※注意：(一)可以使用電子計算器。

(二)不必抄題，作答時請將試題題號及答案依照順序寫在試卷上，於本試題上作答者，不予計分。

更多關務考試科目的歷屆題庫
立即上網搜尋“關務考試歷屆考古題”
高鋒公職補習班整理
Line@帳號：@gaofeng
連絡電話：07-236-7296

座號：_____

一、如圖(1)所示之簡支樑承受所示之負載，試繪出其剪力圖及彎矩圖，並標示其最大之剪力與彎矩。(20分)

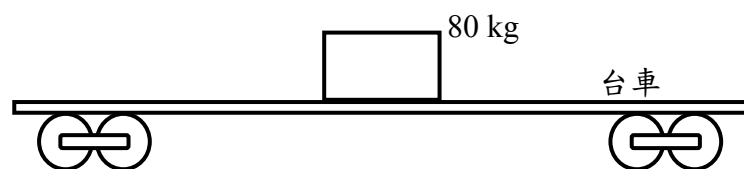


圖(1)

二、如圖(2)所示有一質量 80 kg 之貨箱置於一台車上，此台車從靜止以等加速啟動，在 75 m 之行進距離加速至 72 km/h，試計算在下列情形下，台車與貨箱間之摩擦力對貨箱所作之功：

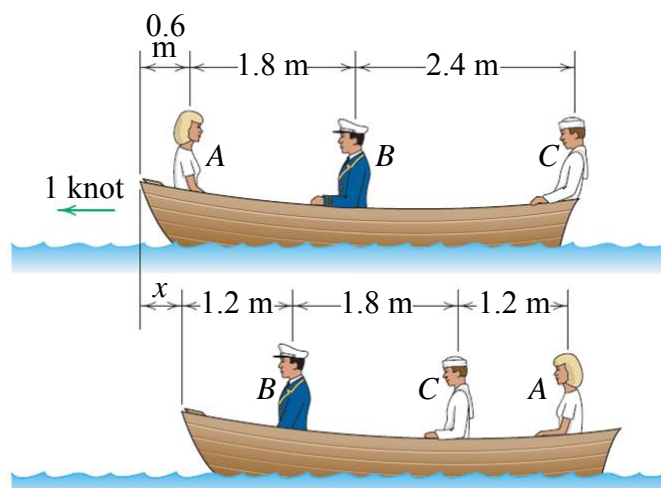
(一)靜摩擦係數 $\mu_s = 0.30$ ，動摩擦係數 $\mu_k = 0.28$ 。(10分)

(二)靜摩擦係數 $\mu_s = 0.25$ ，動摩擦係數 $\mu_k = 0.20$ 。(10分)



圖(2)

三、有質量分別為 $m_A = 60$ kg、 $m_B = 90$ kg、 $m_C = 80$ kg 的三個人坐在一質量為 $m_s = 150$ kg 之小船上，位置如圖(3)中之上圖所示，此時小船在水面上以 1 節 (knot) 之速度滑行。假設小船在水上之滑行阻力可忽略不計，試求當船上三人起身換到如圖(3)中之下圖所示之位置後，此小船將會落後之距離 x 。(20分)



圖(3)

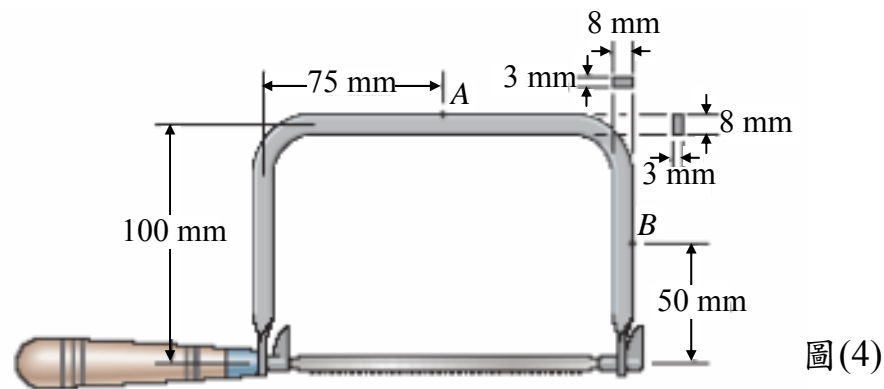
(請接背面)

106年公務人員特種考試關務人員考試、
 106年公務人員特種考試身心障礙人員考試及 代號：14430
 106年國軍上校以上軍官轉任公務人員考試試題

全一張
 (背面)

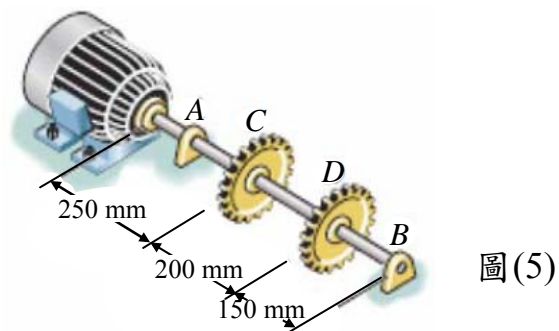
考試別：關務人員考試
 等別：四等考試
 類科：機械工程
 科目：機械力學概要

四、如圖(4)所示之曲線鋸，其鋸條由旋緊螺帽產生 40 N 之初始張力，試求在此情形下，
 框架上 A、B 兩點處分別之合應力 (resultant stress)。(20 分)



圖(4)

五、如圖(5)所示之馬達功率為 32 kW，帶動一實心之 304 不銹鋼圓軸 (剪力模數 $G = 75 \text{ GPa}$)，轉速為 1200 rpm，A、B 處為無摩擦之軸承，且 C、D 兩齒輪分別輸出 20 kW 及 12 kW 之動力。若軸材料之容許剪應力為 56 MPa，C、D 間轉軸之容許扭轉角度差為 0.2° ，試求設計時此傳動軸所需之軸徑。(20 分)



圖(5)

106年公務人員特種考試關務人員考試、
106年公務人員特種考試身心障礙人員考試及
106年國軍上校以上軍官轉任公務人員考試試題

代號：14450

全一張
(正面)

考試別：關務人員考試

等別：四等考試

類科：機械工程

科目：機械原理概要

考試時間：1小時30分

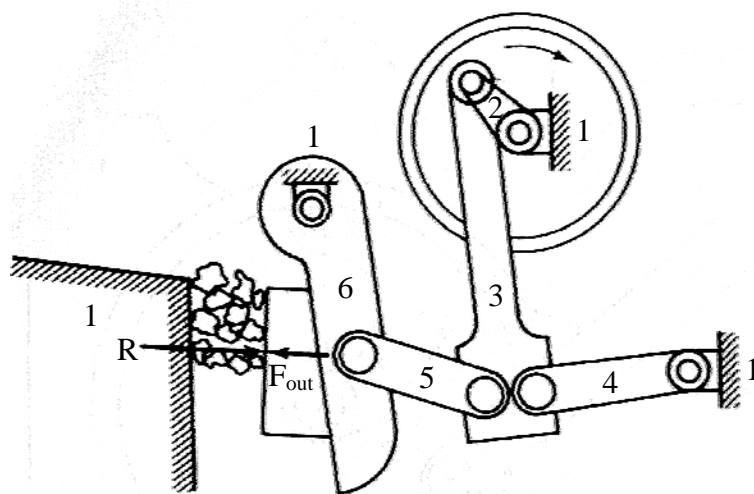
更多關務考試科目的歷屆題庫
立即上網搜尋“關務考試歷屆考古題”
高鋒公職補習班整理
Line@帳號：@gaofeng
連絡電話：07-236-7296

座號：_____

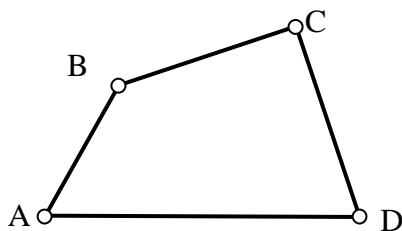
※注意：(一)可以使用電子計算器。

(二)不必抄題，作答時請將試題題號及答案依照順序寫在試卷上，於本試題上作答者，不予計分。

- 一、(一)指出如圖所示之碎石機構的機件與運動對的種類與數目，並計算其自由度。(10分)
(二)說明碎石機構所應用得以產生巨大輸出力量來壓碎石塊的二個重要機械原理。
(10分)



- 二、如圖所示之四連桿運動鏈的示意圖，已知連桿 \overline{AB} 、 \overline{BC} 、 \overline{CD} 與 \overline{AD} 的長度分別為20 mm、40 mm、50 mm與60 mm，請問能否由此運動鏈合成出雙曲柄機構，若可能，請畫出該雙曲柄機構（應標註固定桿）。(20分)



- 三、有一對嚙合之漸開線齒形正外齒輪，其轉速比為3：1，壓力角為 20° ，模數為4，中心距為200 mm，試求大齒輪的齒數、節圓直徑及基圓半徑。(20分)
- 四、一對相等五級塔輪 (Equal five-stepped pulley)，已知從動軸的最高轉速與最低轉速分別為500 rpm與20 rpm，試求主動軸的轉速。(20分)

(請接背面)

106年公務人員特種考試關務人員考試、
106年公務人員特種考試身心障礙人員考試及
106年國軍上校以上軍官轉任公務人員考試試題

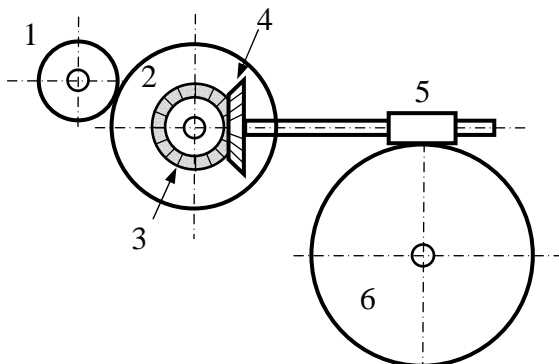
代號：14450

全一張
(背面)

考試別：關務人員考試
等別：四等考試
類科：機械工程
科目：機械原理概要

更多關務考試科目的歷屆題庫
立即上網搜尋“關務考試歷屆考古題”
高鋒公職補習班整理
Line@帳號：@gaofeng
連絡電話：07-236-7296

五、如圖所示之減速齒輪系，齒輪系以齒輪 1 為主動輪，以順時針方向 600 rpm 轉動；蝸輪 6 為輸出輪，以逆時針方向 10 rpm 轉動。已知齒輪 1、齒輪 2、齒輪 3、齒輪 4 的齒數分別為 18 齒、36 齒、20 齒、20 齒，蝸桿 5 為雙線螺旋齒，試求蝸桿 5 的螺旋方向及蝸輪 6 的齒數。(20 分)



代號：14120-14820
40120-41320
頁次：4-1

105年公務人員特種考試關務人員考試、105年公務人員特種考試
身心障礙人員考試及105年國軍上校以上軍官轉任公務人員考試試題

考試別：關務人員考試、身心障礙人員考試

等別：四等考試

類科：各科別、各類科

科目：國文（作文、公文與測驗）

考試時間：2小時

※注意：禁止使用電子計算器。

更多關務考試科目的歷屆題庫
立即上網搜尋“關務考試歷屆考古題”
高鋒公職補習班整理
Line@帳號：@gaofeng
連絡電話：07-236-7296

座號：_____

甲、作文與公文部分：

(一)請以藍、黑色鋼筆或原子筆在申論試卷上由左至右橫式作答，於本試題上作答者，不予計分。

(二)不得於試卷上書寫姓名或入場證號。

一、作文：（60分）

尼克胡哲是澳洲「生命不設限」組織創辦人，他天生沒有四肢，但勇於面對身體殘障，創造了生命的奇蹟。他曾說過：「錯的並不是我的身體，而是我對自己的人生設限，因而限制了我的視野，看不到生命的種種可能。」人們經常自我設限，身體殘障人士固然往往受限於先天的障礙，然而身體健全人士又何嘗不是常常受限於種種心靈、環境的障礙呢？請以「人生不設限」為題，寫作一篇加以闡述，並舉例說明你曾經受限於那些因素，以及應該如何突破限制。

二、公文：（20分）

情境敘述：

一、查著作權法規定，影印他人著作，除有符合著作權法第44條至第65條規定之合理使用情形外，應事先取得著作財產權人之同意或授權。

二、假設經濟部智慧財產局接獲民眾投訴，近來部分大專院校學生影印國內、外書籍，以整本、大部分或化整為零影印之情形日趨嚴重，此種行為均已超出合理使用範圍，恐構成著作權之侵害行為，如遭權利人依法追訴，須負擔刑事及民事之法律責任，實有加強宣導學生尊重智慧財產權觀念之必要。該局乃於民國105年4月1日第15次業務會報決議，應儘速建請教育部轉知各大專院校舉辦宣導會，積極輔導學生使用正版教科書（含二手書），勿非法影印他人著作，以免觸法。

問題：

請依上開情境敘述，試擬經濟部智慧財產局函，以最速件建請教育部轉知及協助辦理，並副知各直轄市政府教育局及各縣（市）政府教育局。

乙、測驗部分：(20分)

代號：2141

(一)本測驗試題為單一選擇題，請選出一個正確或最適當的答案，複選作答者，該題不予計分。

(二)共10題，每題2分，須用2B鉛筆在試卡上依題號清楚劃記，於本試題或申論試卷上作答者，不予計分。

- 1 下列文句中，括號中的成語使用正確者為那一選項？
 - (A)他為人坦蕩，且「胸無城府」，大家都喜歡和他來往
 - (B)強烈颱風侵臺，一時之間「萬人空巷」，大家都不敢出門了
 - (C)他的文章言論偏頗，都是「不刊之論」，難怪會被編輯退稿
 - (D)團結力量大，只要大家一起努力，「三人成虎」，事情一定順利
- 2 對聯的上聯為「書香名士宅」，下聯應為：
 - (A)德門膺厚福
 - (B)福澤善人居
 - (C)淑氣騰佳節
 - (D)園林無俗情
- 3 杜甫〈飲中八仙歌〉：「李白一斗詩百篇，長安市上酒家眠。天子呼來不上船，自稱臣是酒中仙。」詩中突顯之李白特質是：
 - (A)曠放不羈
 - (B)落落寡合
 - (C)飲酒無節
 - (D)富有仙氣
- 4 陶淵明〈五柳先生傳〉寫五柳先生的生活是：「環堵蕭然，不蔽風日。短褐穿結，簞瓢屢空，晏如也。」其生命型態、生活態度最接近下列何者？
 - (A)天行健，君子以自強不息
 - (B)士不可以不弘毅，任重而道遠
 - (C)飯疏食飲水，曲肱而枕之，樂亦在其中矣
 - (D)篤信好學，守死善道。危邦不入，亂邦不居
- 5 「不才明主棄，多病故人疎」雖未使用「因為」、「所以」，但每一句中前後兩部分仍各表達出一種因果關係，意思是：「因為我缺少才幹，所以遭明主遺棄；因為羸弱多病，所以老友往來漸疏」。下列詩句，何者與此表達方式相同？
 - (A)星垂平野闊，月湧大江流
 - (B)海內存知己，天涯若比鄰
 - (C)家貧輕過節，身老怯增年
 - (D)春容捨我去，秋髮已衰改

6 「和死亡相接壤的，往往是疾病。雖然，有些死亡的上半句是敵人和戰爭，或者是同志和批鬥，或者車禍或者山崩，但絕大部分的死亡和疾病有關。

從某個觀點看，癌症不算是種種死因中最壞的病，它不像某些令人猝死的心臟病，留給家人震悼的巨痛。也不像中風，令人在最後一程中走得癱軟而喪盡尊嚴。

癌症，如果情況尚好，大可懷抱治癒的希望。如果是末期，也總有一點時間來讓自己對自己的一生作一番盤點結帳，然後，從容打烊。當然，『打烊』也許說得太輕了，或許應該說是『勒令歇業』——在這生命最後的動作上，世人究竟是贏家還是輸家？

也許算贏，因為畢竟在他曾經活過的日子裡，他每一天都活著，他死守崗位，直到交班。也許算輸，因為疾病摧枯拉朽，志在必得，世人只有束手就擒。也許算雙贏，因為死亡既沒有消滅人類，人類也沒有消滅死亡。」

作者在文中最想傳達何種觀點？

- (A) 死亡以各種面貌摧毀人類
 - (B) 癌症是種種死因中最壞的病
 - (C) 由生到老，病，必定是邁向死的必經歷程
 - (D) 如能預知死亡，實可從容面對死亡的威脅
- 7 「多數人類無法忍受長期只吃一兩種食物的單調無聊，我們食性廣雜，而且對舌頭的要求嚴格——或許，這是文明的重要特質，人們是自然界中少數能好好坐在餐桌前吃飯，不必擔心天敵趁機掠食或搶奪的物種。面對這不可割捨的感官，有些修行者挑戰味覺，他們把舌頭的慾望降到最低，讓它除了擔任『能吃與不能吃』的防線外，不參與『口腹之慾』的創造。但味覺的感受恐怕跟『念頭』一樣快，我們常在吃到美味食物時瞬間感到『原來如此』的釋然，我懷疑修行者能完全將它去除。」

下列敘述，最符合上文旨意的選項是：

- (A) 追求味覺的廣雜豐富，是多元文化的一大趨勢
- (B) 減少味覺慾望的誘惑，以表示對修行者的尊重
- (C) 味覺慾望如瞬間念頭，即使修行者也難以捨除
- (D) 透過感官味覺的訓練，可推進美食文化的深度

8 「對於各種讓我們感到恐懼、憂慮、難堪、羞愧、驚悚的事件，你若不敢面對它們，你的恐懼、憂慮、難堪、羞愧、驚悚就永遠不會消失，一再地壓抑，只是讓它們獲得更多的能量而已。但如果你能坦然地面對它們，雖然剛開始時會覺得不自在，甚至會驚嚇或難過得『擠出一身油』來，但這些油卻能醫治你生命的『燒燙割傷』，讓你重獲心靈的平靜，沒有負擔地重新出發。」這段話的旨意，與下列那一個選項最接近？

- (A)功到自然成 (B)天助自助者 (C)危機即轉機 (D)真金不怕火

閱讀下文，回答第9題至第10題

多麼矛盾的心情：一方面盼著妳快點長大，就能帶妳出航，帶妳看看那鬆軟的藍色泥地裡長成的野豔驚奇，讓妳及早理解，船隻為何總是航向波濤，我的帆又何以時常隨風張揚。但是，一方面又想，時光若能停留，寧願妳永遠不識風濤，不必波折。

每次與妳見面，從小的習慣，妳總會與我擁抱。就像抓住枝桠的樹葉，顏色愈青淡的抓得越緊。忘了哪時候開始，漸漸發現，妳與我擁抱的力道一次輕過一次。大概妳念高中後，擁抱變成只是一種習慣或儀式，意思意思一下而已。心裡了然，出航的風已開始吹拂，季節一到，微風也會將船帆颯撐為別離的翅膀。

9 文中作者藉由「出航」的意象，表達何種深邃情感？

- (A)男女相思別離之苦 (B)親子成長疏離之難捨
(C)朋友知交拜別之憤慨 (D)天地滄海一粟之感嘆

10 古人有謂「意在言外」。作者字裡行間每每流露「別有所指」的糾葛深情。下列文句何者為「別具深情」的描述？

- ①每次與妳見面，從小的習慣，妳總會與我擁抱
②盼著妳快點長大，就能帶妳出航，讓妳及早理解
③時光若能停留，寧願妳永遠不識風濤，不必波折
④就像抓住枝桠的樹葉，顏色愈青淡的抓得越緊。漸漸發現，妳與我擁抱的力道一次輕過一次
⑤心裡了然，出航的風已開始吹拂，季節一到，微風也會將船帆颯撐為別離的翅膀

- (A)①②③ (B)③④⑤ (C)②③④ (D)①④⑤

測驗式試題標準答案

考試名稱：105年公務人員特種考試關務人員考試、105年公務人員特種考試身心障礙人員考試及
105年國軍上校以上軍官轉任公務人員考試

類科名稱：關稅統計、機械工程、紡織工程、關稅會計、資訊處理、電機工程、化學工程、一般行政、會計、執達員、
電力工程、土木工程、金融保險、園藝、財稅行政、教育行政、植物病蟲害防治、社會行政、法院書記官

科目名稱：國文（作文、公文與測驗）（試題代號：2141）

單選題數：10題

單選每題配分：2.00分

複選題數：

複選每題配分：

標準答案：

更多關務考試科目的歷屆題庫
立即上網搜尋“關務考試歷屆考古題”
高鋒公職補習班整理
Line@帳號：@gaofeng
連絡電話：07-236-7296

題號	第1題	第2題	第3題	第4題	第5題	第6題	第7題	第8題	第9題	第10題
答案	A	B	A	C	C	D	C	C	B	B

題號	第11題	第12題	第13題	第14題	第15題	第16題	第17題	第18題	第19題	第20題
答案										

題號	第21題	第22題	第23題	第24題	第25題	第26題	第27題	第28題	第29題	第30題
答案										

題號	第31題	第32題	第33題	第34題	第35題	第36題	第37題	第38題	第39題	第40題
答案										

題號	第41題	第42題	第43題	第44題	第45題	第46題	第47題	第48題	第49題	第50題
答案										

題號	第51題	第52題	第53題	第54題	第55題	第56題	第57題	第58題	第59題	第60題
答案										

題號	第61題	第62題	第63題	第64題	第65題	第66題	第67題	第68題	第69題	第70題
答案										

題號	第71題	第72題	第73題	第74題	第75題	第76題	第77題	第78題	第79題	第80題
答案										

題號	第81題	第82題	第83題	第84題	第85題	第86題	第87題	第88題	第89題	第90題
答案										

題號	第91題	第92題	第93題	第94題	第95題	第96題	第97題	第98題	第99題	第100題
答案										

備註：

代號：4141
頁次：4-1

105年公務人員特種考試關務人員考試、105年公務人員特種考試身心障礙人員考試及105年國軍上校以上軍官轉任公務人員考試試題

考試別：關務人員考試
等 別：四等考試
類 科：各科別
科 目：英文
考試時間：1 小時

更多關務考試科目的歷屆題庫
立即上網搜尋“關務考試歷屆考古題”
高鋒公職補習班整理
Line@帳號：@gaofeng
連絡電話：07-236-7296

座號：_____

※注意：(一)本試題為單一選擇題，請選出一個正確或最適當的答案，複選作答者，該題不予計分。
(二)本科目共 50 題，每題 2 分，須用 2B 鉛筆在試卡上依題號清楚劃記，於本試題上作答者，不予計分。
(三)禁止使用電子計算器。

- The doctor says to the patient that, with proper _____, he can expect to live a normal lifespan.
(A) judgment (B) consideration (C) treatment (D) negotiation
- Looking back, the great dancer Martha Graham said, "Being inspired by a dance recital was one thing; making a career choice, quite _____."
(A) ones (B) the other (C) another (D) other
- The boss thinks that Irene is the most _____ person to get the position as the manager.
(A) eventual (B) doubtful (C) inactive (D) suitable
- A series of gas explosions in Kaohsiung _____ in 28 deaths and at least 280 people injured.
(A) clothed (B) failed (C) nailed (D) resulted
- The beauty of the island is _____; it has a long beach with pure white sand and green palm trees.
(A) indifferent (B) magnificent (C) vocational (D) available
- The all-inclusive tours offered by the new travel agency _____.
(A) put on airs (B) stay in touch (C) cover all the bases (D) fall to pieces

I've had a lot of bad managers in my time: cold, aggressive, and incompetent. But I'd like to tell you about my last boss. She was a very 7 sort of person—she never seemed uptight or nervous, and she always had time and a smile for everybody. She managed to create a pleasant, 8 atmosphere in the workplace—we all began to see each other socially. She encouraged us all to be independent in our work—she didn't keep telling us what to do—we were free to work on our own. 9, we were cooperative with each other: we worked well as a team and with her. She was not only experienced, efficient, and creative, 10 she communicated openly and created a great team spirit.

- (A) strict (B) disciplined (C) relaxing (D) self-centered
- (A) demanding (B) serious (C) ambitious (D) friendly
- (A) Nevertheless (B) As a result (C) In addition (D) On the contrary
- (A) but also (B) furthermore (C) moreover (D) as well

請依下文回答第 11 題到第 15 題

Having a seven-day week seemed strange to sociologists since there was no corresponding geophysical event as there was with the solar day or the lunar month. They tended to attribute it to our cultures and not to biology. However, other organisms also have a seven-day cycle, and a week is, after all, a quarter of a lunar circle. At the end of the French Revolution, the revolutionary government wanted to establish a ten-day week, but the attempt failed to work. In the former Soviet Union, the rulers also experimented with modifying the week by trying five-day and six-day weeks. Again, people rejected to change the length of their week. They seemed to need to have one day out of seven in order to rest their body clocks. Weekly rhythms show up most strongly during times of stress. For the body to fight off a cold, it needs about a week. The symptoms of chicken pox show up about two weeks after the patient's being exposed to disease. Health care workers expect to see patients with pneumonia and malaria at greatest risk after one week of fighting these diseases. By these evidences, sociologists have had reasons to reconsider their previous ideas about the origin of the seven-day week.

- According to the passage, what is the main reason behind the seven-day week for the sociologists?
(A) geophysical event (B) cultures (C) lunar cycle (D) solar cycle
- According to the passage, which of the following will be accepted by most people after all?
(A) five-day week (B) seven-day week (C) ten-day week (D) six-day week
- According to the passage, which of the following once experimented a ten-day week?
(A) the French Revolution (B) Soviet Union
(C) the American Independence (D) the Industrial Revolution
- According to the passage, how long will it take for a patient who has chicken pox to show up the symptom?
(A) 5 days (B) 7 days (C) 10 days (D) 14 days
- According to the passage, which of the following is true?
(A) Cultures are not the only reason behind the seven-day week.
(B) The former Soviet Union experimented a eight-day week.
(C) It needs about two weeks for the body to fight off a cold.
(D) Most people would like to change the length of a week.

請依下文回答第 16 題到第 20 題

With spacecraft that can carry tourists into orbit and connect Paris to New York in less than two hours, the new heroes of space travel are not astronauts but daring captains of industry. This new breed of space pioneers are all using private money to push the final frontier as government space programs fall away. Times have changed. Once the space race was led by the likes of the U.S. space agency NASA that put the first man on the moon in 1969.

Today it is entrepreneur Elon Musk — the founder of Tesla electric cars and space exploration company Space—who wants to reach Mars in the 2020s. The furthest advanced — and most highly publicized — private space project is led by Richard Branson, the British founder of the Virgin Group. His shuttle, SpaceShipTwo, will be launched at high altitude from a weird-looking four-engined mother ship — which can carry two pilots and up to six passengers — before embarking on a three-hour suborbital flight.

Branson and his sons will be the first passengers aboard the shuttle when it is expected to launch late 2014. His company Virgin Galactic was given the green light in May by the U.S. Federal Aviation Agency (FAA) to carry passengers from a base in New Mexico, which is named “Spaceport America” — the stuff of science fiction.

The US\$250,000 price of a ticket has not deterred more than 600 people, including celebrities such as actor Leonardo Di Caprio, from booking their seats.

- 16 According to this passage, when is the first tourists-carrying shuttle scheduled to launch into space?
(A) Late 2014 (B) Early 2015 (C) Late 2015 (D) Early 2016
- 17 According to this passage, who intends to reach Mars in the 2020s?
(A) Richard Branson (B) Leonardo Di Caprio (C) Elon Musk (D) NASA
- 18 What does the expression “given the green light” mean in this passage?
(A) approved (B) driven (C) forbidden (D) stopped
- 19 According to this passage, who is more likely to lead in the space race in the future?
(A) FAA (B) NASA (C) secret society (D) private entrepreneur
- 20 What does the expression “booking their seats” mean in this passage?
(A) finding a book on their seats (B) securing their seats in advance
(C) selling their seats in advance (D) writing a book on their seats
- 21 Neil Alden Armstrong, the first _____ to walk on the Moon, is remembered by many with his famous line, “That’s one small step for a man, one giant leap for mankind.”
(A) astronaut (B) architecture (C) amateur (D) applicant
- 22 This best-selling bag is made of _____ leather, not artificial.
(A) genius (B) genuine (C) genetic (D) greasy

Once upon a time I would go out with my friends, staying away until late. We usually had a good time, 23 care. We liked to make merry! Instead of working hard at my studies and helping my old parents, I would catch hold of every chance to have fun. Some of the things I did would make your hair 24. From time to time I would climb the outside of my student hall and shake hands with the statue that stood on top of the building. Then I would paint it 25 in orange paint. My friends thought this was very funny. My teachers would warn me that I was doomed to failure if I did not work harder.

- 23 (A) free from (B) ending up in (C) regardless of (D) with respect to
- 24 (A) stand by (B) stand aside (C) stand on end (D) stand out
- 25 (A) to and fro (B) the ins and outs (C) in abundance (D) from head to toe

When we think of the people who make our life miserable by hacking into computers, or spreading malicious viruses, most of us imagine an unpopular teenage boy, brilliant but geeky, venting his frustrations from the safety of a suburban bedroom.

26, these stereotypes are just that—stereotypes—according to Sarah Gordon, an expert in computer viruses and security technology, and a Senior Research Fellow with Symantec Security Response. Since 1992, Gordon has studied the 27 of virus writers. “A hacker or a virus writer is just as likely to be the guy next door to you,” she says, “or the kid at the checkout line bagging your groceries. An average hacker is 28 someone dressed entirely in black and showing off a nose ring; she may very well be a 50-year-old female.”

The virus writer Gordon has come to know have 29 backgrounds: while predominantly male, some are female. Some are solidly academic, while others are athletic. Many have friendships with members of the opposite sex, good relationships with their parents and families; most are popular with their peers. You wouldn’t pick them out of a lineup as being the perpetrator.

- 26 (A) Namely (B) Consequently (C) Simultaneously (D) Actually
- 27 (A) astrology (B) anthropology (C) psychology (D) biology
- 28 (A) typically (B) not necessarily (C) definitely (D) not luckily
- 29 (A) varied (B) similar (C) abnormal (D) distinctive

請依下文回答第 30 題到第 33 題

Who knew that shoplifting could be a perfect Kodak moment? A thief and his partner seemed pretty competent when they went into a New York department store and took \$2,000 worth of digital cameras. An abandoned shopping trolley full of empty camera boxes was found by shop assistants.

Meanwhile, the shop's surveillance tape appeared like it was going to be useless: the video showed the suspects, a man and a woman, but the captured images were far too grainy to accurately identify them. Then security officials noticed that, at one point, the tape showed the woman picking up a demonstration camera that was chained to a counter, and pointing it at her partner. No, she couldn't have ... Yes, she did.

The shop's manager called the photo center and asked about the camera. The guy operating the photo center said they were in luck: the camera had batteries and a disc. What's more, it was hooked up to a printer. All they had to do was press the print button to see exactly what the picture on the disc looked like.

Out popped a clear color image of a balding man with a moustache, looking straight at the camera. The police couldn't ask for a better mug shot.

Detective Sergeant Paul Dodorico said the couple "will be surprised. I'm sure they thought that there was nothing in the camera."

No sooner did police go public with the photograph than calls poured in, identifying the man as 36-year-old James Stissi. Less than three weeks later, detectives arrested Stissi at his home and charged him with robbery.

- 30 Which of the following is the best title for the story?
(A) Dumb Shoplifters (B) A Shoplifter's Partner
(C) It is necessary to buy a good camera (D) How Detectives Usually Catch a Shoplifter
- 31 Which of the following statements is true about the shop's surveillance tape?
(A) It was hooked up to a printer. (B) It turned out to be of some use after all.
(C) It showed a clear color image of the suspects. (D) It showed the man taking a picture of the woman.
- 32 What is a "mug shot"?
(A) A suspect (B) A mask (C) A camera (D) A photograph
- 33 Which of the following statements is true?
(A) The shoplifters stole the demonstration camera.
(B) The shoplifters stole the digital cameras along with their boxes.
(C) James Stissi would regret having been taken a photo by his partner.
(D) The shoplifters checked to make sure there was nothing in the demonstration camera.

Taxes are special fees charged by a government on the people who live in a country, state, or city. These fees help pay for public 34 like police, road and bridge repair, and public schools. In the United States, people have to pay national, income, and local taxes. Income tax is a tax 35 to how much a person earns in a year. There are both federal and state income taxes. These have to be paid every year by April 15th. There are special forms the Internal Revenue Service (IRS), the government 36 in charge of collecting taxes, asks people to fill out. There are tax credits that people with low 37, college students, and parents can get. These credits could mean actually getting money back from the government. This money is called a tax refund. Anyone who works has to be taxed 38 of the immigration status. Not paying income taxes could mean a fine or even jail time.

- 34 (A) cities (B) states (C) services (D) governments
35 (A) changed (B) paid (C) applied (D) decided
36 (A) household (B) agency (C) placement (D) administer
37 (A) score (B) image (C) scope (D) income
38 (A) revival (B) relentless (C) reciprocal (D) regardless

The education of "bilingual" students in the U.S. has always been closely 39 political, economic and social concerns. As a nation of immigrants, the U.S. was founded by colonists from multiple language backgrounds and nationalities. 40 early private schools were quickly established to teach colonial children, schools were generally segregated by communities so that students studied in their native languages. As immigrant communities (mainly from Europe) vied for political and economic power in the new world, language and nationality differences raised tensions between neighbors. This in turn 41 calls for new immigrants to assimilate by learning the language and customs of earlier arrivals. For example, in colonial Pennsylvania, Benjamin Franklin complained that an influx of German speaking immigrants would threaten the ability of the English in the settlement to maintain their language and government. He was so worried about this prospect 42 he established one of the first groups of English language schools for Germans with the hope of helping them to better assimilate 43 the English-speaking culture.

- 39 (A) tied to (B) up to (C) about to (D) next to
40 (A) Because (B) Since (C) Unless (D) While
41 (A) looked into (B) led to (C) bound to (D) went into
42 (A) that (B) and (C) but (D) because
43 (A) from (B) for (C) into (D) with

請依下文回答第 44 題到第 48 題

Additive Manufacturing, or 3D printing, is known as it builds things through an additive process. It has a number of advantages over traditional techniques. Instead of machining components from solid billets of raw metal, a process in which much of the metal may be cut away and thus wasted, only the material needed to create the part is used in 3D printing. The technology can also be used to make prototypes and items that are too complicated to be machined. Meanwhile, existing objects can be scanned, reverse engineered and then “reprinted.” Another major advantage is that as there is no need to retool equipment each time product specifications are changed, 3D printers are ideal for custom jobs and short production runs. All that needs to be done is to make alterations to the program that controls the print heads. With all those advantages, some experts believe that the technology will overturn many of the traditional economics of production, as unit labor costs and traditional economics of scale are not applicable. The technology underlying 3D printing can be traced back to the 1970s, when the inkjet printer was invented. The mid-1980s saw the inkjet concept adapted to enable printing with materials other than ink. For years, however, the materials used to print objects were not robust enough to create a working prototype. The end product did not have enough structural integrity to serve as anything more than a visual reference for engineers creating products with computer aided design (CAD). The big breakthrough of 3D printing took place in the early 2000s, when companies and researchers started developing stronger plastic blends and began to use laser technology that not only allowed the use of powdered metals as the “ink,” but also improved the accuracy and efficiency of 3D printers. Today, the materials used to print objects range from numerous plastics and ceramics to metals and rubber-like substances. Somehow, the development of 3D printing is similar to that of photocopying. As with photocopiers, 3D printers are becoming more affordable, more applications for them are being found and more people are recognizing that the new technology can make things easier. The biggest ambition of those in the trade, therefore, is to see 3D printing become as commonplace as photocopying. Hopefully, people might be able to purchase a digital file of a 3D object, push the “print” button, and enjoy their designer product soon afterward.

- 44 Which of the following defines the word “additive” in the first sentence?
- (A) A substance that is added to food in order to improve its flavor.
(B) A factor that is added to other factors for better overall effects.
(C) A process that builds things by adding materials layer by layer.
(D) A way that builds tension by adding materials again and again.
- 45 When did the major breakthrough of 3D printing take place?
- (A) In the 1970s. (B) In the 1980s. (C) In the 1990s. (D) In the 2000s.
- 46 What can consumers do if 3D printing becomes as common as photocopying?
- (A) They can alter the program that controls the print heads.
(B) They can develop stronger plastic blends and turn them into ink.
(C) They can buy a customized digital file of a 3D object and print it.
(D) They can improve the accuracy and efficiency of a 3D printer and print it.
- 47 Which is NOT an advantage of 3D printing technology?
- (A) Only the material needed to create the part is used in 3D printing.
(B) Existing objects can be scanned and reprinted after re-engineering.
(C) It can be used to make prototypes for custom jobs and short production runs.
(D) It can be used to retool equipment when product specifications are changed.
- 48 What is this passage mainly about?
- (A) 3D printing can easily produce designer products.
(B) The benefits, history, and future prospects of 3D printing.
(C) How 3D printing will overturn traditional economics of production.
(D) How materials such as ceramics and metals can be used to 3D print objects.
- 49 After losing his Managing Director job in the company he had worked 15 years for, Alan experienced firsthand that nobody was _____ in his company.
- (A) capable (B) affordable (C) indispensable (D) comprehensible
- 50 The Johnsons _____ to Japan for a 5-day vacation last week, but their trip was cancelled due to the terrible weather conditions.
- (A) were going (B) had gone (C) did not go (D) could not be going

測驗式試題標準答案

考試名稱：105年公務人員特種考試關務人員考試、105年公務人員特種考試身心障礙人員考試及
105年國軍上校以上軍官轉任公務人員考試

類科名稱：機械工程、資訊處理、關稅會計、紡織工程、電機工程、化學工程、一般行政、關稅統計

科目名稱：英文（試題代號：4141）

更多關務考試科目的歷屆題庫
立即上網搜尋“關務考試歷屆考古題”
高鋒公職補習班整理
Line@帳號：@gaofeng
連絡電話：07-236-7296

單選題數：50題

單選每題配分：2.00分

複選題數：

複選每題配分：

標準答案：

題號	第1題	第2題	第3題	第4題	第5題	第6題	第7題	第8題	第9題	第10題
答案	C	C	D	D	B	C	C	D	B	A

題號	第11題	第12題	第13題	第14題	第15題	第16題	第17題	第18題	第19題	第20題
答案	B	B	A	D	A	A	C	A	D	B

題號	第21題	第22題	第23題	第24題	第25題	第26題	第27題	第28題	第29題	第30題
答案	A	B	A	C	D	D	C	B	A	A

題號	第31題	第32題	第33題	第34題	第35題	第36題	第37題	第38題	第39題	第40題
答案	B	D	C	C	C	B	D	D	A	D

題號	第41題	第42題	第43題	第44題	第45題	第46題	第47題	第48題	第49題	第50題
答案	B	A	C	C	D	C	D	B	C	A

題號	第51題	第52題	第53題	第54題	第55題	第56題	第57題	第58題	第59題	第60題
答案										

題號	第61題	第62題	第63題	第64題	第65題	第66題	第67題	第68題	第69題	第70題
答案										

題號	第71題	第72題	第73題	第74題	第75題	第76題	第77題	第78題	第79題	第80題
答案										

題號	第81題	第82題	第83題	第84題	第85題	第86題	第87題	第88題	第89題	第90題
答案										

題號	第91題	第92題	第93題	第94題	第95題	第96題	第97題	第98題	第99題	第100題
答案										

備註：

105年公務人員特種考試關務人員考試、105年公務人員特種考試身心障礙人員考試及105年國軍上校以上軍官轉任公務人員考試試題

考試別：關務人員考試、身心障礙人員考試
等別：四等考試
類科：各科別、各類科
科目：法學知識（包括中華民國憲法、法學緒論）
考試時間：1小時

更多關務考試科目的歷屆題庫
立即上網搜尋“關務考試歷屆考古題”
高鋒公職補習班整理
Line@帳號：@gaofeng
連絡電話：07-236-7296

座號：_____

※注意：(一)本試題為單一選擇題，請選出一個正確或最適當的答案，複選作答者，該題不予計分。
(二)本科目共 50 題，每題 2 分，須用 2B 鉛筆在試卡上依題號清楚劃記，於本試題上作答者，不予計分。
(三)禁止使用電子計算器。

- 下列何種保險為憲法增修條文明定應推行者？
(A)汽車責任保險 (B)全民健康保險 (C)公教人員保險 (D)公務人員平安保險
- 依據憲法前言規定，下列何種機關受全體國民之付託，制定本憲法？
(A)總統 (B)立法院 (C)國民大會 (D)國民軍政府
- 依據憲法之規定，國家應如何處理歷史之古物？
(A)應許自由流通 (B)應收歸國有 (C)應予保護 (D)應獎勵活用
- 依憲法第 144 條規定，公用事業以公營為原則。下列何種公用事業，目前僅由公營，並非由國民經營？
(A)天然瓦斯 (B)大眾運輸 (C)石油 (D)自來水
- 某甲因其姓名常受諧音之累，申請改名，但戶政事務所拒絕其申請。本案可能涉及何種基本權利之保障？
(A)生存權 (B)工作權 (C)人格權 (D)言論自由
- 下列何者不得向法院提起司法救濟？
(A)大學生學習權利遭受侵害
(B)公務員受記過處分
(C)受羈押被告基本權利受侵害
(D)對役男兵役體位之判定
- 職業駕駛人若涉及特定犯罪，將吊銷其駕照，並限制其於一定期間內不得再行請領駕照。其中有關吊銷駕照之限制，主要涉及下列何種基本權利？
(A)財產權 (B)應考試權 (C)人身自由 (D)工作權
- 依司法院釋字第 443 號解釋，關於人民身體之自由，憲法第 8 條規定內容屬於下列何種事項，縱令立法機關，亦不得制定法律加以限制？
(A)憲法保留之事項 (B)絕對法律保留之事項 (C)相對法律保留之事項 (D)非屬法律保留之事項
- 內政部移民署禁止越南籍配偶入境臺灣長期居留，對其在臺灣之配偶何項基本權可能構成侵害？
(A)行動自由 (B)人身自由 (C)婚姻家庭自由 (D)國族平等權
- 依憲法之規定，人民遭受任何機關非法逮捕拘禁時，得向何機關聲請追究？
(A)總統 (B)法院 (C)檢察署 (D)立法院
- 下列何者非保障言論自由之目的？
(A)健全社會之民主化 (B)維繫社會穩定與安全之功能
(C)監督各種政治或社會活動 (D)保障組成團體並參與其活動
- 下列何者不屬工作權之保障範圍？
(A)國家有義務實施保護勞工政策 (B)國家有責任舉辦維護勞動者生計的社會保險
(C)勞動者有權組織工會，必要時並得發起罷工 (D)人民得自由的選擇工作，並依年資取得證照

- 13 憲法所規定之各種選舉，除憲法別有規定外，應以何種投票方法行之？
(A)普通、平等、直接及聯記投票 (B)普通、平等、直接及無記名投票
(C)普通、平等、間接及比例投票 (D)普通、平等、間接及無記名投票
- 14 有關憲法對於選舉及被選舉年齡之規定，下列敘述何者錯誤？
(A)中華民國國民年滿 40 歲者，得被選為總統、副總統
(B)中華民國國民年滿 30 歲者，得被選為立法委員
(C)中華民國國民年滿 20 歲者，有依法選舉之權
(D)中華民國國民年滿 23 歲者，有依法被選舉之權
- 15 依憲法增修條文規定，下列何者並非總統發布緊急命令之要件？
(A)為避免國家或人民遭遇緊急危難或應付財政經濟上重大變故
(B)須經行政院會議之決議
(C)須於立法院休會期間
(D)須於發布命令後 10 日內提交立法院追認
- 16 依憲法增修條文規定，有關總統發表國情報告之敘述，下列何者正確？
(A)立法院各委員會得邀請總統進行報告 (B)立法院於每年集會時得聽取總統報告
(C)總統除進行國情報告之外，亦須備詢 (D)總統除進行國情報告之外，亦得提案
- 17 依憲法規定，會計年度結束後 4 個月內，行政院應向何機關提出決算報告？
(A)立法院 (B)司法院 (C)監察院 (D)總統府
- 18 下列何者無須經行政院會議議決？
(A)法律案 (B)預算案 (C)大赦案 (D)糾舉案
- 19 依憲法增修條文之規定，有關立法委員選舉制度，下列敘述何者錯誤？
(A)立法委員之任期為 4 年，得連選連任
(B)立法委員之選舉採單一選區兩票制
(C)基於性別平等原則，立法委員選舉制度並無婦女保障名額之設計
(D)自由地區平地原住民及山地原住民必須各選出三名
- 20 行政院所屬各部會，除獨立機關外，其首長如何產生？
(A)由總統提名，經立法院同意後任命 (B)由行政院院長提請總統任命
(C)由行政院院長任命 (D)由行政院院長提名，經立法院同意後任命
- 21 有關立法院行使職權之敘述，下列何者正確？
(A)法案屆期不連續原則 (B)秘密會議原則
(C)言論免責權範圍不限於院內所為之言論 (D)對行政院提出糾正案
- 22 依地方制度法之規定，直轄市議會議決之自治條例與中央法律牴觸時，下列敘述何者錯誤？
(A)該自治條例無效
(B)行政院得函告該自治條例無效
(C)該自治條例是否牴觸中央法律有疑義時，得聲請司法院解釋之
(D)該自治條例是否牴觸中央法律有疑義時，由立法院解決之
- 23 下列何者於組織上隸屬於考試院？
(A)人事行政總處 (B)公務人員保障暨培訓委員會
(C)公務員懲戒委員會 (D)公務人員協會

- 24 關於司法院組織，下列敘述何者錯誤？
(A)司法院院長職司監督各級法院及分院之責
(B)司法院現行設大法官共計 15 人，任期 8 年
(C)公務員懲戒委員會之委員非憲法所稱之法官
(D)政黨違憲解散訴訟係由大法官組成憲法法庭審理
- 25 為保障法官地位，下列何者非屬憲法明文規定不得免職之事由？
(A)受刑事處分 (B)受懲戒處分 (C)拒絕轉調 (D)禁治產宣告
- 26 下列何種契約，原則上當事人一方死亡即消滅？
(A)人事保證契約，保證人死亡時 (B)承攬契約，承攬人死亡時
(C)贈與契約，受贈人死亡時 (D)普通保證契約，債權人死亡時
- 27 依地方制度法規定，上級政府或主管機關，對於下級政府或機關所陳報之事項，加以審查，並作成決定，以完成該事項之法定效力，稱為：
(A)核准 (B)准許 (C)審定 (D)核定
- 28 依據中央法規標準法之規定，下列何者為法律之名稱？
(A)辦法 (B)條例 (C)規則 (D)準則
- 29 為了讓經濟上陷入困境的信用卡、現金卡等消費借貸債務人，得以透過更生、清算程序，處理個人債務，立法院特別制定下列何項法律？
(A)消費者保護法 (B)消費者債務清理條例
(C)小額信用債務清理條例 (D)個人破產法
- 30 下列何法律屬於程序法？
(A)公司法 (B)海商法 (C)中央法規標準法 (D)非訟事件法
- 31 下列何者為直接法源？
(A)命令 (B)判例 (C)習慣法 (D)學說
- 32 不得適用習慣者，為下列那一個法領域？
(A)刑法 (B)民法 (C)憲法 (D)行政法
- 33 某一法律是否與憲法牴觸，應由下列何一機關解釋？
(A)行政院 (B)立法院 (C)司法院 (D)監察院
- 34 根據憲法增修條文之規定，下列何者並非由總統提名，經立法院同意後任命？
(A)考試委員 (B)大法官
(C)監察委員 (D)行政院公平交易委員會委員
- 35 有關平等原則之敘述，下列何者錯誤？
(A)相同事件為相同處理，不同事件為不同處理 (B)人民得主張不法之平等
(C)行政行為，非有正當理由，不得為差別待遇 (D)禁止恣意
- 36 關於民法之消滅時效期間，下列敘述何者正確？
(A)最長為 5 年 (B)最長為 10 年 (C)最長為 12 年 (D)最長為 15 年
- 37 下列何者不是意思表示？
(A)代理權授與 (B)承認 (C)催告 (D)解除契約

- 38 限制行為能力人未得法定代理人之允許，所為之法律行為，下列何者為無效？
(A)單獨行為 (B)契約
(C)用詐術使人信其有行為能力 (D)純獲法律上利益之行為
- 39 甲使用銀行的保管箱，甲和銀行間的法律關係為何？
(A)消費寄託 (B)信託 (C)一般寄託 (D)租賃
- 40 下列何者不是財團法人？
(A)私立大學 (B)二二八事件紀念基金會
(C)長庚紀念醫院 (D)股份有限公司
- 41 在擄人勒贖事件中，甲並未參與被害人被擄之行為，但由甲出面向被害人家屬勒贖。依據我國實務見解，甲與其他參與擄人勒贖之行為人，具有下述何種關係？
(A)間接正犯 (B)共同正犯 (C)同時犯 (D)教唆犯
- 42 易科罰金、易服社會勞動、易服勞役或易以訓誡執行完畢者，其所受宣告之刑，效力如何？
(A)失其效力 (B)以已執行論 (C)赦免 (D)繼續執行
- 43 在實現犯罪的過程中，下列那個階段，刑法並未設有處罰規定？
(A)決意 (B)陰謀 (C)預備 (D)未遂
- 44 下列行為，何者侵害著作權？
(A)購買合法電腦程式，用於出租他人 (B)為評論之目的，在合理範圍內引用他人論述之一部分
(C)重製他人著作，作為研究所考題 (D)公開展示合法取得之美術著作原件
- 45 股份有限公司與董事間之法律關係，下列敘述何者正確？
(A)信託 (B)委任 (C)合夥 (D)僱傭
- 46 下列何者非屬我國勞工保險條例對於職業災害保險之給付種類？
(A)傷病給付 (B)醫療給付 (C)失能給付 (D)生育給付
- 47 依全民健康保險法第 55 條規定，有關得向保險人申請核退自墊醫療費用之情形，下列敘述何者錯誤？
(A)於臺灣地區內，因緊急傷病或分娩，須在非保險醫事服務機構立即就醫
(B)於臺灣地區外，因罹患保險人公告之特殊傷病、發生不可預期之緊急傷病或緊急分娩，須在當地醫事服務機構立即就醫
(C)於保險人暫行停止給付期間，在保險醫事服務機構診療或分娩，並已繳清保險費等相關費用
(D)保險對象於保險醫事服務機構診療或分娩，因可歸責於保險對象之事由，致自墊醫療費用
- 48 性別工作平等法所稱主管機關，在中央為：
(A)內政部 (B)勞動部 (C)法務部 (D)衛生福利部
- 49 下列那一種假期，男性不得依法請求？
(A)家庭照顧假 (B)陪產假 (C)產假 (D)育嬰留職停薪假
- 50 甲男應徵乙航空公司空服員之工作，未被錄取，認為乙有性別歧視，下列何者理由構成性別歧視？
(A)該次徵才乙航空公司最後僅有女性被錄取 (B)男性不適合擔任空服員
(C)男性應募者僅占百分之五 (D)男性應募者人數較女性應募者少

測驗題標準答案更正

考試名稱：105年公務人員特種考試關務人員考試、105年公務人員特種考試身心障礙人員考試及
105年國軍上校以上軍官轉任公務人員考試

類科名稱：一般行政、關稅會計、關稅統計、資訊處理、機械工程、電機工程、化學工程、紡織工程、一般行政、社會行政、教育行政、財稅行政、金融保險、會計、法院書記官、執達員、園藝、植物病蟲害防治、土木工程、電力工程、資訊處理

科目名稱：法學知識（包括中華民國憲法、法學緒論）

更多關務考試科目的歷屆題庫
立即上網搜尋“關務考試歷屆考古題”
高鋒公職補習班整理
Line@帳號：@gaofeng
連絡電話：07-236-7296

單選題數：50題

單選每題配分：2.00分

複選題數：

複選每題配分：

標準答案：答案標註#者，表該題有更正答案，其更正內容詳見備註。

題號	第1題	第2題	第3題	第4題	第5題	第6題	第7題	第8題	第9題	第10題
答案	B	C	C	D	C	B	D	A	C	B

題號	第11題	第12題	第13題	第14題	第15題	第16題	第17題	第18題	第19題	第20題
答案	D	D	B	B	C	B	C	D	C	B

題號	第21題	第22題	第23題	第24題	第25題	第26題	第27題	第28題	第29題	第30題
答案	A	D	B	C	#	A	D	B	B	D

題號	第31題	第32題	第33題	第34題	第35題	第36題	第37題	第38題	第39題	第40題
答案	A	A	C	D	B	D	C	A	D	D

題號	第41題	第42題	第43題	第44題	第45題	第46題	第47題	第48題	第49題	第50題
答案	B	B	A	A	B	D	D	B	C	B

題號	第51題	第52題	第53題	第54題	第55題	第56題	第57題	第58題	第59題	第60題
答案										

題號	第61題	第62題	第63題	第64題	第65題	第66題	第67題	第68題	第69題	第70題
答案										

題號	第71題	第72題	第73題	第74題	第75題	第76題	第77題	第78題	第79題	第80題
答案										

題號	第81題	第82題	第83題	第84題	第85題	第86題	第87題	第88題	第89題	第90題
答案										

題號	第91題	第92題	第93題	第94題	第95題	第96題	第97題	第98題	第99題	第100題
答案										

備註：第25題一律給分。

105年公務人員特種考試關務人員考試、
105年公務人員特種考試身心障礙人員考試及 代號：14530 全一頁
105年國軍上校以上軍官轉任公務人員考試試題

考試別：關務人員考試
等別：四等考試
類科：機械工程
科目：機械力學概要
考試時間：1小時30分

更多關務考試科目的歷屆題庫
立即上網搜尋“關務考試歷屆考古題”
高鋒公職補習班整理
Line@帳號：@gaofeng
連絡電話：07-236-7296

座號：_____

※注意：(一)可以使用電子計算器。

(二)不必抄題，作答時請將試題題號及答案依照順序寫在試卷上，於本試題上作答者，不予計分。

- 一、試說明力矩和功，有何異同之處？（15分）
平面力系之剛體處於靜態平衡時之條件為何？（10分）
- 二、一傳動軸承受扭力矩 $T=600\text{ N}\cdot\text{m}$ ，且轉速 $n=500\text{ rpm}$ ，試求此軸所傳送之動力 P 為多少千瓦（kW）？此動力值為多少公制馬力（PS）？又等於多少英制馬力（HP）？（25分）
- 三、有一左邊被固定之橫向懸臂樑，具高 $h=100\text{ mm}$ 和寬 $b=70\text{ mm}$ 之矩形截面，長度 $L=750\text{ mm}$ 。若在自由端處，施一向下負荷 $F=50\text{ kN}$ 和一順時針方向之彎力矩 $M=900\text{ N}\cdot\text{m}$ ，此樑之 $E=207\text{ GPa}$ ，試求不計剪力作用下，固定端之最大應力為何？在自由端的撓曲量為何？（25分）
- 四、有一中空轉軸具外徑 $D=80\text{ mm}$ 和內徑 $d=60\text{ mm}$ ，若承受彎力矩 $M=1500\text{ N}\cdot\text{m}$ 和扭力矩 $T=1200\text{ N}\cdot\text{m}$ ，試求：
 - (一)僅承受 M 時，其最大彎曲應力為何？（10分）
 - (二)僅承受 T 時，其最大剪應力為何？（10分）
 - (三)同時承受 M 和 T 時，其組合應力狀態下之最大剪應力為何？（5分）

105年公務人員特種考試關務人員考試、
 105年公務人員特種考試身心障礙人員考試及 代號：14550 全一頁
 105年國軍上校以上軍官轉任公務人員考試試題

考試別：關務人員考試
 等別：四等考試
 類科：機械工程
 科目：機械原理概要
 考試時間：1小時30分

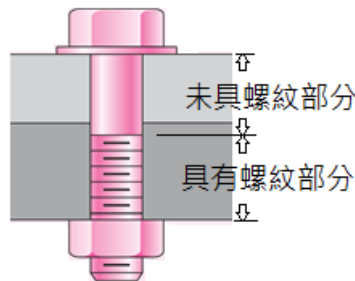
更多關務考試科目的歷屆題庫
 立即上網搜尋“關務考試歷屆考古題”
 高鋒公職補習班整理
 Line@帳號：@gaofeng
 連絡電話：07-236-7296

座號：_____

※注意：(一)可以使用電子計算器。

(二)不必抄題，作答時請將試題題號及答案依照順序寫在試卷上，於本試題上作答者，不予計分。

一、如圖所示，貫穿螺栓在鎖緊工件之範圍，包括未具螺紋部分（長度為 l_d ，大徑面積為 A_d ）及具有螺紋部分（長度為 l_t ，等效拉伸面積為 A_t ）。若螺栓材料的彈性模數為 E ，試根據虎克定律（Hooke's law）及串聯彈簧模式，推算貫穿螺栓在鎖緊工件長度範圍之彈簧常數。（25分）



二、鏈輪傳動時，會因為弦線作用（chordal action）而產生噪音及震動。試說明降低弦線作用的可用方式。（25分）

三、某四連桿機構 ABCD 為「葛拉斯霍夫機構」（Grashof mechanism），其中，AB 桿、BC 桿、CD 桿及 AD 桿的長度分別為 l_s 、 l_l 、 l_p 及 l_q ，且 $l_s < l_p < l_q < l_l$ 。若欲形成「雙曲柄機構」（double crank mechanism），試說明固定桿、輸入桿位置及桿長度必須滿足的條件。（25分）

四、如圖所示之齒輪系，正齒輪 A 為輸入端，轉速為 1725 rpm（從右方視之，順時針方向），正齒輪 B 與正齒輪 C 為複式齒系，內齒輪 D 與傘齒輪 E（右旋螺旋傘齒輪）為複式齒系，傘齒輪 F 與蝸桿 G（左旋雙線蝸桿）亦為複式齒系，蝸輪 H 位於輸出軸。各齒輪之齒數如下： $T_A = 25$ 、 $T_B = 30$ 、 $T_C = 25$ 、 $T_D = 75$ 、 $T_E = 32$ 、 $T_F = 30$ 、 $T_H = 60$ ，試求傘齒輪 F 的螺旋方向（左旋或右旋？）、蝸輪 H 的轉速及旋轉方向（順時針或逆時針方向？從正面視之）。（25分）

