

104年公務人員特種考試關務人員考試、  
104年公務人員特種考試身心障礙人員考試及  
104年國軍上校以上軍官轉任公務人員考試試題

代號：14120-14720 全一張  
40120-42020 (正面)

考試別：關務人員考試、身心障礙人員考試

等別：四等考試

類科：各科別、各類科

科目：國文（作文、公文與測驗）

考試時間：2小時

※注意：禁止使用電子計算器。

更多關務考試科目的歷屆題庫  
立即上網搜尋“關務考試歷屆考古題”  
高鋒公職補習班整理  
Line@帳號：@gaofeng  
連絡電話：07-236-7296

座號：\_\_\_\_\_

### 甲、作文與公文部分：

(一)請以藍、黑色鋼筆或原子筆在申論試卷上由左至右橫式作答，於本試題上作答者，不予計分。

(二)不得於試卷上書寫姓名或入場證號。

#### 一、作文：（60分）

銀行的存摺用來儲存金錢，存摺必須有存款才能提領，存款愈多就能提領愈多。人生的種種也可以是一本本的存摺，有形的存摺如：黃金、股票、房屋、保險單……；無形的存摺如：親情、健康、知識、人際關係……。你打算擁有怎樣的存摺？如何運用你的存摺？請以「人生的存摺」為題，撰寫一篇文章。

#### 二、公文：（20分）

為因應全球氣候異常，環境變遷，資源逐漸耗竭，試擬行政院函直轄市及各縣市政府，積極宣導四省（省電、省油、省水、省紙）觀念，鼓勵發揮創意，將環保節能措施融入日常生活，並視推動成效予以獎勵補助。

### 乙、測驗部分：（20分）

代號：2141

(一)本試題為單一選擇題，請選出一個正確或最適當的答案，複選作答者，該題不予計分。

(二)共10題，每題2分，須用2B鉛筆在試卡上依題號清楚劃記，於本試題或申論試卷上作答者，不予計分。

1. 下列各句「」中的詞語，前後意義相同的選項是：

(A)籌辦這場開幕典禮，耗費並不「便宜」／處理公務應當審慎以對，不可「便宜」行事

(B)今日「氣象」晴雨不定，登山務必小心／歷盡艱辛攻頂後，放眼四望，「氣象」一新

(C)他的「春秋」正富，充滿強烈的企圖心／你繼續作你的「春秋」大夢吧！恕不奉陪了

(D)每到「利害」關頭，人的戒心就會升高／上級指示，這件任務不計「利害」必須達成

2. 下列年齡代稱何者非指中年？

(A)強仕之年 (B)春秋鼎盛 (C)耳順之年 (D)不惑之年

3. 下列題辭的運用，何者錯誤？

(A)福壽全歸：賀壽誕 (B)慶諧弄璋：賀生子

(C)卓育菁莪：賀校慶 (D)珠聯璧合：賀結婚

(請接背面)

104年公務人員特種考試關務人員考試、  
104年公務人員特種考試身心障礙人員考試及  
104年國軍上校以上軍官轉任公務人員考試試題

代號：14120-14720 全一張  
40120-42020 (背面)

考試別：關務人員考試、身心障礙人員考試  
等別：四等考試  
類科：各科別、各類科  
科目：國文（作文、公文與測驗）

4. 不管我們想進行任何了解和判斷，都需要資訊，而我們所能得到的資訊主要都來自大眾傳媒。但即使不是刻意造假、扭曲，大眾傳媒所提供的都只是二手的、選擇性的、片面的資訊，它們既非事件的原貌，更非社會的全貌。（《如果漏讀人性，成功總是差一步》）依據文章敘述，選出符合文意的選項：
- (A) 第一手資訊通常正確度高，我們應善加利用  
(B) 媒體所提供的片面訊息，可能影響人的判斷  
(C) 若要還原事件原貌，須進行多方的資訊比對  
(D) 大眾傳媒容易失真，故訓練判斷力刻不容緩
5. 城內的新都心將要蓋起一棟一百層高的大樓，那是二十一世紀的新世代帝國。城內的嬰孩被菲傭推出來和另一個被菲傭推出來的嬰孩對望，愛沒有棲身處，冷漠卻擱淺在幼嫩的臉上。（〈我的天可汗〉）下列選項，何者最接近上文意旨？
- (A) 恐懼 (B) 疏離 (C) 時尚 (D) 進步
6. 公孫度目邴原：「所謂雲中白鶴，非燕雀之網所能羅也。」（《世說新語·賞譽》）請問在公孫度的眼中，邴原應是怎樣的人？
- (A) 任誕絕俗 (B) 志行高潔 (C) 仙風道骨 (D) 自視甚高
7. 子曰：「小子何莫學夫詩？詩可以興，可以觀，可以群，可以怨。邇之事父，遠之事君。多識於鳥獸草木之名。」（《論語·陽貨》）在這段文句中，孔子強調學詩的功能。下列選項，何者不在孔子所說的功能範圍內？
- (A) 經濟功能 (B) 人倫功能 (C) 教育功能 (D) 政治功能
8. 狂夫之言，聖人擇之；芻蕘之微，先民詢之。舜以天子而詢於匹夫，以大知而察及邇言，非苟為謙，誠取善之宏也。（劉開〈問說〉）下列解說，文意錯誤者為：
- (A) 聖人以大智慧來體察邇近之言 (B) 狂夫的言論，聖人也會選擇聽從  
(C) 舜以天子之尊也會詢問匹夫之人 (D) 先民也會詢問像割草這樣微小的事情
- 有問之，對曰：「橐駝非能使木壽且孳也，能順木之天，以致其性焉爾。凡植木之性，其本欲舒，其培欲平，其土欲故，其築欲密。既然已，勿動勿慮，去不復顧，其蒔也若子，其置也若棄，則其天者全，而其性得矣。故吾不害其長而已，非有能碩茂之也。不抑耗其實而已，非有能蚤而蕃之也。他植者則不然，根拳而土易，其培之也，若不過焉則不及；苟有能反是者，則又愛之太恩，憂之太勤。旦視而暮撫，已去而復顧；甚者爪其膚以驗其生枯，搖其本以觀其疏密，而木之性日以離矣。雖曰愛之，其實害之；雖曰憂之，其實讎之；故不我若也，吾又何能為哉？」（柳宗元〈種樹郭橐駝傳〉）請依上文回答第9.題至第10.題
9. 文中「其蒔也若子，其置也若棄」，意謂：
- (A) 照顧太過，疲乏不堪 (B) 用心栽植，順性發展  
(C) 改業從政，不再植樹 (D) 天資有別，各趨極端
10. 本文所說種樹的道理，應用到政治上則為：
- (A) 嚴刑峻法 (B) 循名責實 (C) 賞罰分明 (D) 聽其自然

# 測驗式試題標準答案

考試名稱：104年公務人員特種考試關務人員考試、104年公務人員特種考試身心障礙人員考試及  
104年國軍上校以上軍官轉任公務人員考試

類科名稱：關稅統計、紡織工程、機械工程、資訊處理、化學工程、電機工程、一般行政、電子工程、人事行政、農業技術、文化行政、交通行政、金融保險、一般民政、地政、財稅行政、衛生技術、經建行政、教育行政、環保行政、電力工程、法院書記官、戶政、土木工程

科目名稱：國文（作文、公文與測驗）（試題代號：2141）

單選題數：10題

單選每題配分：2.00分

複選題數：

複選每題配分：

標準答案：

更多關務考試科目的歷屆題庫  
立即上網搜尋“關務考試歷屆考古題”  
高鋒公職補習班整理  
Line@帳號：@gaofeng  
連絡電話：07-236-7296

題號	第1題	第2題	第3題	第4題	第5題	第6題	第7題	第8題	第9題	第10題
答案	D	C	A	B	B	B	A	D	B	D

題號	第11題	第12題	第13題	第14題	第15題	第16題	第17題	第18題	第19題	第20題
答案										

題號	第21題	第22題	第23題	第24題	第25題	第26題	第27題	第28題	第29題	第30題
答案										

題號	第31題	第32題	第33題	第34題	第35題	第36題	第37題	第38題	第39題	第40題
答案										

題號	第41題	第42題	第43題	第44題	第45題	第46題	第47題	第48題	第49題	第50題
答案										

題號	第51題	第52題	第53題	第54題	第55題	第56題	第57題	第58題	第59題	第60題
答案										

題號	第61題	第62題	第63題	第64題	第65題	第66題	第67題	第68題	第69題	第70題
答案										

題號	第71題	第72題	第73題	第74題	第75題	第76題	第77題	第78題	第79題	第80題
答案										

題號	第81題	第82題	第83題	第84題	第85題	第86題	第87題	第88題	第89題	第90題
答案										

題號	第91題	第92題	第93題	第94題	第95題	第96題	第97題	第98題	第99題	第100題
答案										

備註：

104年公務人員特種考試關務人員考試、104年公務人員特種考試  
身心障礙人員考試及104年國軍上校以上軍官轉任公務人員考試試題

考試別：關務人員考試

等別：四等考試

類科：各科別

科目：英文

考試時間：1小時

更多關務考試科目的歷屆題庫  
立即上網搜尋“關務考試歷屆考古題”  
高鋒公職補習班整理  
Line@帳號：@gaofeng  
連絡電話：07-236-7296

座號：\_\_\_\_\_

※注意：(一)本試題為單一選擇題，請選出一個正確或最適當的答案，複選作答者，該題不予計分。  
(二)本科目共50題，每題2分，須用2B鉛筆在試卡上依題號清楚劃記，於本試題上作答者，不予計分。  
(三)禁止使用電子計算器。

- 1 The network has scheduled to provide \_\_\_\_\_ coverage of the debate for the presidential candidates at 3pm today.  
(A)life (B)live (C)alive (D)lively
- 2 In Singapore, throwing a cigarette butt on the street is punished with a heavy \_\_\_\_\_ of several hundred dollars.  
(A)sentence (B)ticket (C)debt (D)fine
- 3 The release of the movie was timed to \_\_\_\_\_ with the director's seventieth birthday.  
(A)coincide (B)collide (C)equal (D)fall
- 4 She developed a terrible fear of strangers after being sexually \_\_\_\_\_ in a public park.  
(A)assaulted (B)arrested (C)accorded (D)abjected
- 5 The newspaper \_\_\_\_\_ that the mayor has accepted bribes but it provides neither source of information nor evidence.  
(A)proves (B)prefers (C)alleges (D)acclaims
- 6 In Antarctica during the winter, temperatures can \_\_\_\_\_ below-100 degrees Fahrenheit.  
(A)drop (B)quit (C)abandon (D)attach
- 7 The inmates often feel treated as social \_\_\_\_\_ after being released from prison.  
(A)abbots (B)associates (C)outfits (D)outcasts
- 8 The profits will be equally divided \_\_\_\_\_ the five stock holders.  
(A)among (B)between (C)along (D)for
- 9 The apartment is very pretty and, \_\_\_\_\_, the rent is quite low.  
(A)otherwise (B)likewise (C)moreover (D)allover
- 10 Seeing my daughter finally winning a gold medal after all the years of hardships, I felt a \_\_\_\_\_ in my throat.  
(A)tie (B)bone (C)hold (D)lump
- 11 The police \_\_\_\_\_ a farmhouse where the terrorist leader was believed to be hiding, but found nothing.  
(A)robbed (B)raided (C)defended (D)debased
- 12 Someone once joked that dogs think you're family, \_\_\_\_\_ cats think you're staff.  
(A)nevertheless (B)whereas (C)however (D)likewise
- 13 One of the most \_\_\_\_\_ parts of living at the South Pole is that the sun neither rises nor sets.  
(A)supportive (B)manageable (C)declining (D)disorienting
- 14 When his son was caught cheating in the exam, he had to \_\_\_\_\_ his pride and meet the principal.  
(A)surrender (B)swallow (C)resign (D)retire
- 15 To cut down on the man power, the company offered a golden \_\_\_\_\_ to many of their senior employees for early retirement.  
(A)cold shoulder (B)hand shake (C)head count (D)face lift
- 16 Apart from the regular examination, the Customs will sometimes conduct a \_\_\_\_\_ in order to prevent corruption.  
(A)tariff cut (B)tax refund (C)duty memo (D)spot check

- 17 According to a report issued by National Development Council in Taiwan, foreign travellers who make value-added tax refunds will be \_\_\_\_\_ from examination in the Customs. They will no longer need to go through Customs examination.  
(A) vacant (B) steady (C) exempt (D) alert
- 18 Passengers are only allowed to carry a certain amount of \_\_\_\_\_ baggage when boarding an airplane.  
(A) produced (B) endangered (C) accompanied (D) imported
- 19 Travellers who carry counterfeit and pirated goods will be \_\_\_\_\_ intellectual property right.  
(A) in charge of (B) in violation of (C) in case of (D) in place of
- 20 There are different ways of \_\_\_\_\_ customs declarations. But usually making electronic declarations is more convenient than others.  
(A) filing (B) releasing (C) appealing (D) promoting
- 21 One essential procedure for customs \_\_\_\_\_ is to carry out checks on persons, baggage and other things that enter the country.  
(A) declaration (B) clearance (C) stamping (D) application
- 22 In the United States, a customs \_\_\_\_\_ is highly paid because the person who takes this position needs to shoulder important responsibility and is fully aware of complicated import laws and regulations.  
(A) importer (B) consignee (C) declarant (D) broker
- 23 The Community Charge, also known as a poll tax, is a certain amount of tax \_\_\_\_\_ on each individual who resides in the community.  
(A) issued (B) levied (C) approved (D) registered
- 24 Imported goods that are stored in a \_\_\_\_\_ warehouse are usually controlled and handled by the customs and can be exported without paying any tax.  
(A) bonded (B) posted (C) finished (D) priced
- 25 Zoe got an \_\_\_\_\_ response upon inquiry when she applied for a tax refund in the Customs office this morning. She was very pleased with the public service they have provided.  
(A) anxious (B) internal (C) immediate (D) abominable
- 26 Any goods that need to be either imported or exported will have to get the permission from the government and obtain a \_\_\_\_\_ for imports/exports.  
(A) description (B) procedure (C) sample (D) certificate
- 27 Any \_\_\_\_\_ movement of goods such as drugs and endangered animals into or out of a country can be seriously punished.  
(A) personal (B) illegal (C) national (D) technical
- 28 \_\_\_\_\_, Hinojosa has assisted the customs in many other countries with their capacity building. She mentions that it has to do with tasks related to traditional trade.  
(A) Otherwise (B) Instead (C) However (D) Moreover
- 29 With Hinojosa's great abilities at customs administration, she can \_\_\_\_\_ act as the best candidate for the World Customs Organization.  
(A) at all (B) in order (C) on time (D) no doubt
- 30 In many countries, foreign visitors are usually \_\_\_\_\_ to have a tax refund when they purchase products that amount to certain values of money.  
(A) entitled (B) controlled (C) issued (D) declared
- 31 One important way to \_\_\_\_\_ export trade in a country is to create a nation's image as a quality provider because people usually are more willing to import goods with excellent quality from other countries.  
(A) examine (B) assemble (C) review (D) promote
- 32 Finally, \_\_\_\_\_ resolving one last misunderstanding between them, Bridget's plan to marry Mark is confirmed by the scene of both of them kissing each other.  
(A) so for as (B) as long as (C) in spite of (D) as a result of

請依下文回答第 33 題至第 37 題

Written English has evolved mostly in ways unrelated to the changes in the spoken language, thanks in part to shenanigans and human error. The first English printing press, in the 15th century, was operated by Belgians who didn't know the language and made numerous spelling errors (such as "busy" in place of "bisy"). And because they were paid by the line, they sometimes padded words with extra letters; "frend," for example, became "friend." In the next century, other non-English speakers in continental Europe printed the first English Bibles, introducing yet more errors. Worse, those Bibles were then copied, and the writing became increasingly corrupted with each subsequent rendition. English spelling became a chaotic mess, and successful attempts to simplify the spelling after that were offset by events that made the language harder to learn, such as the inclusion of many alternate spellings in Samuel Johnson's influential English dictionary. Unlike many other languages, English spelling was never reformed to eliminate the incongruities. In a sense, English speakers now talk in one language but write a different one.

- 33 According to this passage, why did "frend" become "friend"?
- (A) For making more money. (B) For creating extra meaning.  
(C) For reading between the lines. (D) For finding a pad for the word.
- 34 What does "corrupted" mean in this passage?
- (A) erupt (B) erroneous (C) greedy (D) tolerant
- 35 Which of the following is true about the evolution of written English?
- (A) It is closely related to the evolution of spoken English.  
(B) It is supposed to give credits to humor of human beings.  
(C) It is affected by many mischievous activities or mistakes.  
(D) It is critically initiated by the chaos and reforms in Europe.
- 36 Which of the following statements is NOT true?
- (A) The Belgians who ran the first English printing press did not know English.  
(B) The first English Bibles printed by the Europeans were full of errors.  
(C) Production of the copies of the Bibles featured financial corruption.  
(D) English spelling kept getting worse even with some good efforts to simplify it.
- 37 Which of the following could best describe the main idea of this passage?
- (A) Printing of the Bible is resulted from the evolution of English.  
(B) Reformation of English has successfully rid the chaos in Europe.  
(C) Samuel Johnson became established after completing the English dictionary.  
(D) There are many inconsistencies between written English and spoken English.

請依下文回答第 38 題至第 41 題

The flipped classroom is a pedagogical model in which the typical lecture and homework elements of a course are reversed. Short video lectures are viewed by students at home before the class session, while in-class time is 38 to exercises, projects, or discussions. The video lecture is often seen as the key ingredient in the flipped approach, such lectures being either created by the instructor and 39 online or selected from an online repository. While a prerecorded lecture could certainly be a podcast or other audio format, the ease with which video can be 40 and viewed today has made it so ubiquitous that the flipped model has come to be identified with it. The notion of a flipped classroom draws on such concepts as active learning, student engagement, hybrid course design, and course podcasting. The value of a flipped class is in the repurposing of class time into a workshop where students can inquire about lecture content, test their skills in applying knowledge, and interact with one another in 41 activities. During class sessions, instructors function as coaches or advisors, encouraging students in individual inquiry and collaborative effort.

- 38 (A) changed (B) devoted (C) reserved (D) planned  
39 (A) googled (B) copied (C) deposited (D) posted  
40 (A) connected (B) accessed (C) twittered (D) covered  
41 (A) hands-on (B) hands-off (C) hands-up (D) hands-down



請依下文回答第 42 題至第 45 題

Numbers have a strange grasp on people's lives, thanks to the human tendency to 42 deeper meaning to numbers. Some people make a wish at 11:11. Others believe that good things 43 in threes. We celebrate birthdays, anniversaries, sweet 16s. Some numbers are divine, e.g., seventh heaven, or are given divine connotations through math, e.g., the golden ratio. And of course, there's pop culture: James Bond is 007; Jim Carrey did something-or-other with the number 23. Twelve has found particular significance across cultural fields—there are 12 zodiac signs, 12 months in a year, 12 models of Cylons. But 13? Thirteen's cultural meaning is a little more 44. This number is most often associated with fear or superstition, mostly in Western culture. Thirteen is rooted in negative meaning, which can partly be 45 to the Bible since Judas, who betrays Jesus, was the 13th guest at the Last Supper, as well as to pop culture. The horror franchise *Friday the 13<sup>th</sup>* capitalizes on the fear of the date itself.

- 42 (A)subscribe (B)prescribe (C)describe (D)ascribe  
43 (A)get (B)make (C)go (D)come  
44 (A)sinister (B)sapient (C)residual (D)redeemable  
45 (A)traced (B)retorted (C)resulted (D)appealed

請依下文回答第 46 題至第 50 題

My husband Peter and I lease a land for organic farming in the foothills of Northern California. In the heat of summer, my fields cover the bronzed landscape like a green quilt spread over sand. We mind the requirements for organic farming and successfully get certificates for all our vegetables. Ten acres of them trace the contours of a small valley floor. Tomatoes glow crimson, flowers bloom and watermelons grow fat. But the beautiful picture does not overrule the reality that my business is struggling. Whenever a customer asked how things were going, I replied, *Great*. I never revealed the truth, *Well, we're making ends meet, but we work 12 hours a day, 6 days a week, and pay ourselves only what we need to cover food and household expenses: \$100 per week*. I didn't tell anyone how, over the course of the last three years since Peter and I had started our farm, I'd drained most of my savings. I didn't admit that the only thing keeping the farm afloat was income Peter and I earned through other means — Peter working as a carpenter and I as a baker. I didn't say I felt like I was trying to fill a bathtub when the drain was open. People admire organic farming, but they seldom know it's hard to sustain a living.

- 46 What does the underlined "them" refer to in this passage?  
(A)The tomatoes (B)The flowers (C)The watermelons (D)The plants in the fields
- 47 According to the passage, which of the following statements is true about organic farming?  
(A)It has to be located on the floor of a valley.  
(B)Tomatoes and watermelons are the most popular products.  
(C)It can get certified if meeting specific standards.  
(D)Different means of farming have been promoted.
- 48 What does "making ends meet" mean in this passage?  
(A)Managing to keep regular hours of life.  
(B)Managing to cover space of the landscape.  
(C)Earning and spending equal amounts of money.  
(D)Working and resting for equal amounts of time.
- 49 According to the passage, which of the following statements is NOT true?  
(A)The narrator lies to her customers about her business.  
(B)The narrator makes big profits through her hard work.  
(C)The narrator and her husband need to do odd jobs to cover their expenses.  
(D)The narrator and her husband have spent all their savings on the farm.
- 50 What is the major problem that the narrator is facing?  
(A)It is too hot to work in the summer on the farm.  
(B)It is too hard to get rid of the fats in their body.  
(C)It is urgent to deal with the draining problem in their bathtub.  
(D)It is difficult to support themselves by solely working on the farm.

# 測驗題標準答案更正

考試名稱：104年公務人員特種考試關務人員考試、104年公務人員特種考試身心障礙人員考試及  
104年國軍上校以上軍官轉任公務人員考試

類科名稱：一般行政、關稅統計、資訊處理、機械工程、電機工程、化學工程、紡織工程

科目名稱：英文

單選題數：50題

單選每題配分：2.00分

複選題數：

複選每題配分：

更多關務考試科目的歷屆題庫  
立即上網搜尋“關務考試歷屆考古題”  
高鋒公職補習班整理  
Line@帳號：@gaofeng  
連絡電話：07-236-7296

標準答案：答案標註#者，表該題有更正答案，其更正內容詳見備註。

題號	第1題	第2題	第3題	第4題	第5題	第6題	第7題	第8題	第9題	第10題
答案	B	D	A	A	C	A	D	A	C	D

題號	第11題	第12題	第13題	第14題	第15題	第16題	第17題	第18題	第19題	第20題
答案	B	B	D	B	B	D	C	C	B	A

題號	第21題	第22題	第23題	第24題	第25題	第26題	第27題	第28題	第29題	第30題
答案	B	D	B	A	C	D	B	#	D	A

題號	第31題	第32題	第33題	第34題	第35題	第36題	第37題	第38題	第39題	第40題
答案	D	D	A	B	C	C	D	B	D	B

題號	第41題	第42題	第43題	第44題	第45題	第46題	第47題	第48題	第49題	第50題
答案	A	D	D	A	A	D	C	C	B	D

題號	第51題	第52題	第53題	第54題	第55題	第56題	第57題	第58題	第59題	第60題
答案										

題號	第61題	第62題	第63題	第64題	第65題	第66題	第67題	第68題	第69題	第70題
答案										

題號	第71題	第72題	第73題	第74題	第75題	第76題	第77題	第78題	第79題	第80題
答案										

題號	第81題	第82題	第83題	第84題	第85題	第86題	第87題	第88題	第89題	第90題
答案										

題號	第91題	第92題	第93題	第94題	第95題	第96題	第97題	第98題	第99題	第100題
答案										

備註：第28題答A或B或C或D或AB或AC或AD或BC或BD或CD或ABC或ABD或ACD或BCD或ABCD者均給分。



# 104年公務人員特種考試關務人員考試、104年公務人員特種考試身心障礙人員考試及104年國軍上校以上軍官轉任公務人員考試試題

考試別：關務人員考試、身心障礙人員考試  
等別：四等考試  
類科：各科別、各類科  
科目：法學知識（包括中華民國憲法、法學緒論）  
考試時間：1小時

更多關務考試科目的歷屆題庫  
立即上網搜尋“關務考試歷屆考古題”  
高鋒公職補習班整理  
Line@帳號：@gaofeng  
連絡電話：07-236-7296

座號：\_\_\_\_\_

※注意：(一)本試題為單一選擇題，請選出一個正確或最適當的答案，複選作答者，該題不予計分。  
(二)本科目共50題，每題2分，須用2B鉛筆在試卡上依題號清楚劃記，於本試題上作答者，不予計分。  
(三)禁止使用電子計算器。

- 依司法院大法官之解釋，人民團體經主管機關限期整理者，其理事、監事之職權應即停止之規定，涉及下列何項基本權？  
(A)人身自由 (B)表意自由 (C)工作權 (D)參政權
- 關於生存權之保障，下列敘述何者錯誤？  
(A)生存權之保障包括生命之尊重及生活之延續  
(B)司法院大法官解釋認為死刑制度已違憲  
(C)懷孕婦女依優生保健法相關規定進行墮胎，未侵害胎兒之生存權  
(D)安樂死是否合法化屬於立法者之形成自由
- 依司法院釋字第684號解釋，有關大學所為非屬退學之處分，下列敘述何者錯誤？  
(A)主張權利受侵害之學生得提起行政爭訟  
(B)此所涉及之權利救濟，係屬憲法所保障之訴願權以及訴訟權  
(C)對於非屬退學之處分，因尚未改變學生身分，且係學校維持秩序所必要，受處分之學生尚無提起行政爭訟之餘地  
(D)受理此類爭訟之機關，應本於維護大學自治之原則，對大學之專業判斷予以適度之尊重
- 下列何者既是人民義務，也是權利？  
(A)納稅 (B)選舉 (C)服兵役 (D)受國民教育
- 下列何者非憲法明文例示，但為司法院憲法解釋所承認之權利？  
(A)參政權 (B)家庭權 (C)工作權 (D)財產權
- 依司法院釋字第462號，關於大學教師升等評審程序的說明，下列敘述何者錯誤？  
(A)大學教師升等資格之審查，基於大學自治，法律不得為任何之規定  
(B)對於升等決定不服之教師，得依法提起行政訴訟，係符合憲法保障人民訴訟權之意旨  
(C)大學教師升等資格之審查，涉及工作權之保障  
(D)教師升等資格評審程序既為維持學術研究與教學之品質所設，涉及憲法保障學術自由
- 關於憲法上基本國策之規定，下列敘述何者錯誤？  
(A)基本國策規定具有方針條款之性質，指引國家機關努力之方向  
(B)基本國策規定為立法形成自由設立界限  
(C)基本國策規定賦予人民請求權，得透過訴訟請求國家為一定作為  
(D)基本國策規定得作為解釋法令之基準
- 依據憲法之規定，附著於土地之礦，屬於何人所有？  
(A)土地所有權人 (B)發現者 (C)採礦者 (D)國家
- 依憲法第145條之規定，有關私營事業之敘述，下列何者正確？  
(A)私營事業以補充公營為原則  
(B)私營事業，如有妨害國計民生之平衡發展者，應以法律限制之  
(C)國家涉入經營之事業，私人禁止經營  
(D)私營事業規模達一定程度時，國家應收歸國有

- 10 依據現行憲法規定，中華民國領土之變更應依循下列何等程序？  
(A)總統提議，立法院決議 (B)總統提議，立法院決議，人民複決  
(C)立法院提議及決議 (D)立法院提議及決議，人民複決
- 11 依憲法第 111 條之規定，中央與地方發生權限爭議時，應如何處理？  
(A)由立法院解決 (B)由司法院解決 (C)由行政院解決 (D)由總統協調
- 12 下列何者非屬考試院所屬機關？  
(A)考選部 (B)銓敘部  
(C)公務人員保障暨培訓委員會 (D)人事行政總處
- 13 關於司法院大法官的敘述，下列何者錯誤？  
(A)司法院大法官主要之權限為解釋憲法  
(B)司法院大法官非屬於憲法第 80 條所稱之法官  
(C)司法院大法官之產生由總統提名，經立法院同意  
(D)司法院大法官解釋有拘束全國各機關與人民之效力
- 14 下列何者無法向大法官聲請統一解釋法令？  
(A)行政院 (B)三分之一以上立法委員  
(C)臺北市政府 (D)考試院
- 15 關於司法院大法官，下列敘述何者錯誤？  
(A)大法官人數為 15 人 (B)現任之大法官不分屆次  
(C)大法官兼任院長與副院長，其任期不受限制 (D)大法官組成憲法法庭審議政黨違憲之解散事項
- 16 下列何者非屬立法院之職權？  
(A)制定法律 (B)對行政院院長之質詢  
(C)對行政院院長提出彈劾 (D)大法官人事同意權
- 17 關於政黨比例代表制度之敘述，下列何者錯誤？  
(A)依憲法規定，僅於立法委員選舉時有其適用  
(B)旨在落實政黨民主之憲政精神  
(C)不應對得票數設置門檻，藉此限制其席次分配權，始符選舉平等原則  
(D)其應產生之總分配席次與單一選區並立，互不影響
- 18 依據憲法增修條文規定，下列何者之任命程序與其他三者不同？  
(A)監察委員 (B)行政院院長 (C)考試委員 (D)司法院大法官
- 19 依憲法增修條文之規定，下列關於行政院院長之敘述，何者錯誤？  
(A)行政院院長之任命，須經立法院同意  
(B)行政院院長辭職或出缺時，在總統未任命行政院院長前，由行政院副院長暫行代理  
(C)總統、副總統均缺位時，由行政院院長代行職權  
(D)立法院通過不信任案時，行政院院長應提出辭職
- 20 依憲法增修條文之規定，關於總統解散立法院之敘述，下列何者正確？  
(A)立法院通過對行政院院長之不信任案後，總統即應於 10 日內解散立法院  
(B)總統發布解散立法院之命令，無須經行政院院長之副署  
(C)於緊急命令生效期間內，總統仍得解散立法院  
(D)總統於解散立法院前，應先諮詢立法院院長並取得其同意
- 21 有關國家安全會議之敘述，下列何者錯誤？  
(A)國家安全會議為總統決定國家安全有關大政方針之諮詢機關  
(B)國家安全會議秘書長，得承總統之命，監督行政院所屬之機關  
(C)國家安全會議及國家安全局應受立法院監督，其組織均以法律定之  
(D)國家安全指國防、外交、兩岸關係與國家重大變故之相關事項

- 22 下列關於創制、複決權之敘述，何者錯誤？  
(A)創制、複決權為人民之基本權利  
(B)縣民關於縣自治事項，依法律行使創制、複決之權  
(C)立法院就重大政策之爭議不得提出議題，交付公民投票  
(D)立法機關應就公民投票有關之實體與程序規範，予以詳細規定
- 23 甲女應徵保全，遭公司以此業不適宜女性從事為由，拒絕錄取。該公司因性別歧視，遭主管機關開罰。此係平等權何等效力之展現？  
(A)直接效力 (B)國庫效力 (C)處罰效力 (D)第三人效力
- 24 下列何者為司法院大法官解釋已承認受憲法制度性保障之基本權？  
(A)宗教自由 (B)隱私權 (C)婚姻及家庭自由 (D)環境權
- 25 藥師經登記領照執業者，其執業處所應以一處為限之規定，司法院大法官將之宣告違憲，係因其對藥師之下列何種自由形成不必要之限制？  
(A)學習自由 (B)居住自由 (C)執行職業自由 (D)選擇職業自由
- 26 依法律優先適用順序為區分標準，可將法律區分為那兩種？  
(A)普通法與特別法 (B)原則法與例外法 (C)實體法與程序法 (D)固有法與繼受法
- 27 法律無明文規定時，民事案件可以依習慣、法理解決；刑事案件則應如何為之？  
(A)可以依習慣，但不可以依法理 (B)可以依法理，但不可以依習慣  
(C)無罪推定 (D)可以依習慣以及法理解決
- 28 民法有關下列何種法律行為之規定，係源自於臺灣固有之習慣，而非繼受自外國法？  
(A)買賣 (B)借貸 (C)合會 (D)贈與
- 29 關於類推適用之敘述，下列何者錯誤？  
(A)類推適用係指對於法律未規定之事項，適用相類似之規定  
(B)類推適用主要係基於憲法上之信賴保護原則  
(C)類推適用係用以解決法律漏洞之解釋方法  
(D)刑事法領域原則上禁止類推適用
- 30 依照中央法規標準法，下列何者並非行政機關發布命令之名稱？  
(A)辦法 (B)標準 (C)條例 (D)準則
- 31 依中央法規標準法第 18 條之規定，各機關受理人民聲請許可案件適用法規時，如在處理程序終結前，據以准許之法規有變更者，下列敘述何者正確？  
(A)法律不溯及既往原則 (B)實體從舊，程序從新原則  
(C)從新從優原則 (D)特別法優於普通法原則
- 32 法律暫時認定某一事實，於有相反證據時，得另為認定者，法律會使用下列何種文字表示？  
(A)推定 (B)視為 (C)準用 (D)適用
- 33 下列有關法律保留之敘述，何者正確？  
(A)給付行政措施不涉及對於人民自由之限制，完全不須有法律之授權為依據  
(B)干預行政涉及對於人民自由之限制，僅得以法律為依據，立法者不得授權行政機關訂定法規命令加以規定  
(C)行政措施涉及細節、技術性之事項者，不須以法律直接規定  
(D)刑罰法規關係人民生命、自由及財產權益至鉅，自應依循罪刑法定主義，以制定法律或命令之方式為之
- 34 依司法院釋字第 709 號解釋，下列何者不符合正當行政程序之內涵？  
(A)應確保利害關係人知悉相關資訊之可能性  
(B)當事人得適時向主管機關以言詞或書面陳述意見  
(C)公開舉行聽證  
(D)都市更新事業計畫僅須公開展覽，無須送達申請人以外之利害關係人
- 35 下列何者屬於違法裁量？  
(A)亂貼廣告物，依據其污染程度處以不同額度之罰鍰  
(B)依據裁量基準，裁罰違規醫療廣告  
(C)對於違章建築，如未妨礙公共安全而無急迫危險，得不立即拆除  
(D)為保護國民健康，對於誇大醫療效用的醫療廣告，一律處以最高額度之罰鍰

- 36 契約當事人一方在準備或商議訂立契約時知悉或持有他方之秘密，經他方明示應予保密，而因故意或重大過失洩漏，其後契約未成立，前者應對後者負何種損害賠償責任？  
(A)給付遲延之責任 (B)給付不能之責任 (C)締約上過失之責任 (D)不完全給付之責任
- 37 依現行民法之規定，下列何種財產出現在法定財產制上？  
(A)聯合財產 (B)原有財產 (C)特有財產 (D)自由處分金
- 38 下列何種事由，將使結婚行為無效？  
(A)18 歲以上之未成年人結婚而未得法定代理人之同意  
(B)結婚之一方受他方之詐欺  
(C)僅舉行有二人證人而公開之結婚儀式  
(D)結婚之一方與無性行為能力之他方結婚
- 39 下列何種撤銷應向法院聲請？  
(A)贈與的撤銷 (B)被詐欺所為意思表示的撤銷  
(C)暴利行為的撤銷 (D)意思表示錯誤的撤銷
- 40 下列何者並非刑法所規定的法律效果？  
(A)拘役 (B)沒入 (C)監護處分 (D)禁戒處分
- 41 下列何者不是有償行為？  
(A)買賣 (B)承攬 (C)保證 (D)旅遊
- 42 關於動產所有權移轉，下列敘述何者正確？  
(A)非經登記，不生效力 (B)非經作成書面，不生效力  
(C)非經交付標的物，不生效力 (D)非經公證，不生效力
- 43 刑法第 149 條規定「公然聚眾，意圖為強暴脅迫，已受該管公務員解散命令三次以上，而不解散者，在場助勢之人處六月以下有期徒刑、拘役或三百元以下罰金。首謀者，處三年以下有期徒刑。」該規定具有下列何種性質？  
(A)身分犯 (B)集團犯 (C)常習犯 (D)機會犯
- 44 下列何者不是刑法的基本原則？  
(A)類推禁止原則 (B)罪刑法定原則 (C)速審速決原則 (D)從輕從新原則
- 45 依消費者保護法規定，下列有關郵購買賣之敘述，何者正確？  
(A)郵購買賣係因未經消費者要約而對之郵寄，使消費者未能檢視商品而與企業經營者所為之買賣  
(B)郵購買賣之消費者，對所收受之商品不願買受時，得於收受商品後 7 日內退回商品，無須說明理由  
(C)郵購買賣之消費者，對所收受之商品不願買受時，僅須支付企業經營者運送費用，即得解除契約  
(D)郵購買賣生鮮食品時，因容易腐敗，故消費者不得行使無條件解除權
- 46 下列何者受著作權保護？  
(A)法條 (B)數學公式  
(C)單純時事報導之語文著作 (D)教科書上所列之模擬試題
- 47 全民健康保險之財務每幾年必須精算一次？  
(A)2 年 (B)3 年 (C)4 年 (D)5 年
- 48 勞工保險被保險人逾 60 歲繼續工作者，其逾 60 歲以後之保險年資，最多以 5 年計，合併 60 歲以前之一次請領老年給付，最高以幾個月為限？  
(A)40 個月 (B)45 個月 (C)50 個月 (D)55 個月
- 49 關於家庭暴力保護令聲請事件之程序，下列敘述何者正確？  
(A)保護令事件不得調解 (B)保護令事件為強制調解事件  
(C)保護令事件得聲請調解 (D)保護令事件得由法官依個案斟酌是否移付調解
- 50 下列何種假期，仍未規範於性別工作平等法？  
(A)產假 (B)流產假 (C)安胎假 (D)產檢假

# 測驗題標準答案更正

考試名稱：104年公務人員特種考試關務人員考試、104年公務人員特種考試身心障礙人員考試及  
104年國軍上校以上軍官轉任公務人員考試

類科名稱：一般行政、關稅統計、資訊處理、機械工程、電機工程、化學工程、紡織工程、一般行政、一般民政、人事行政、戶政、地政、文化行政、教育行政、財稅行政、金融保險、法院書記官、經建行政、環保行政、交通行政、農業技術、土木工程、機械工程、電力工程、電子工程、資訊處理、衛生技術

科目名稱：法學知識（包括中華民國憲法、法學緒論）

單選題數：50題

單選每題配分：2.00分

複選題數：

複選每題配分：

更多關務考試科目的歷屆題庫  
立即上網搜尋“關務考試歷屆考古題”  
高鋒公職補習班整理  
Line@帳號：@gaofeng  
連絡電話：07-236-7296

標準答案：答案標註#者，表該題有更正答案，其更正內容詳見備註。

題號	第1題	第2題	第3題	第4題	第5題	第6題	第7題	第8題	第9題	第10題
答案	C	B	C	D	B	A	C	D	B	D

題號	第11題	第12題	第13題	第14題	第15題	第16題	第17題	第18題	第19題	第20題
答案	A	D	B	B	C	C	C	B	A	B

題號	第21題	第22題	第23題	第24題	第25題	第26題	第27題	第28題	第29題	第30題
答案	B	C	D	C	C	A	C	C	B	C

題號	第31題	第32題	第33題	第34題	第35題	第36題	第37題	第38題	第39題	第40題
答案	C	A	C	D	D	C	D	C	C	B

題號	第41題	第42題	第43題	第44題	第45題	第46題	第47題	第48題	第49題	第50題
答案	C	C	B	#	B	D	D	C	A	#

題號	第51題	第52題	第53題	第54題	第55題	第56題	第57題	第58題	第59題	第60題
答案										

題號	第61題	第62題	第63題	第64題	第65題	第66題	第67題	第68題	第69題	第70題
答案										

題號	第71題	第72題	第73題	第74題	第75題	第76題	第77題	第78題	第79題	第80題
答案										

題號	第81題	第82題	第83題	第84題	第85題	第86題	第87題	第88題	第89題	第90題
答案										

題號	第91題	第92題	第93題	第94題	第95題	第96題	第97題	第98題	第99題	第100題
答案										

備註：第44題答C或D或CD者均給分，第50題一律給分。

104年公務人員特種考試關務人員考試、  
104年公務人員特種考試身心障礙人員考試及  
104年國軍上校以上軍官轉任公務人員考試試題

代號：14430

全一張  
(正面)

考試別：關務人員考試  
等別：四等考試  
類科：機械工程  
科目：機械力學概要  
考試時間：1小時30分

更多關務考試科目的歷屆題庫  
立即上網搜尋“關務考試歷屆考古題”  
高鋒公職補習班整理  
Line@帳號：@gaofeng  
連絡電話：07-236-7296

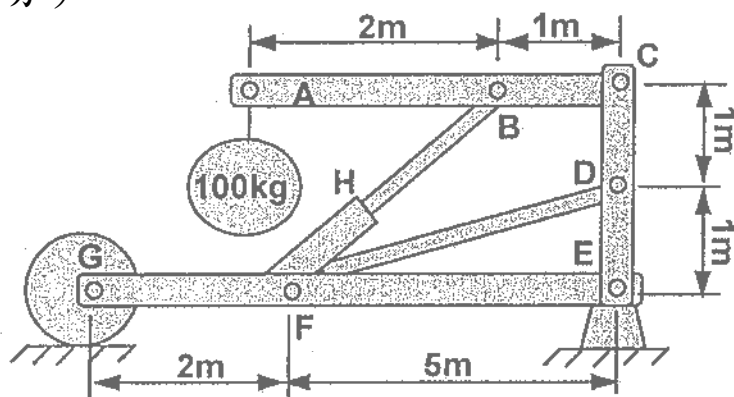
座號：\_\_\_\_\_

※注意：(一)可以使用電子計算器。

(二)不必抄題，作答時請將試題題號及答案依照順序寫在試卷上，於本試題上作答者，不予計分。

一、如圖所示，起重機活塞 H 之支撐力作用吊起一物體 100 kg，若不計支架之重量，試問平衡狀態下：

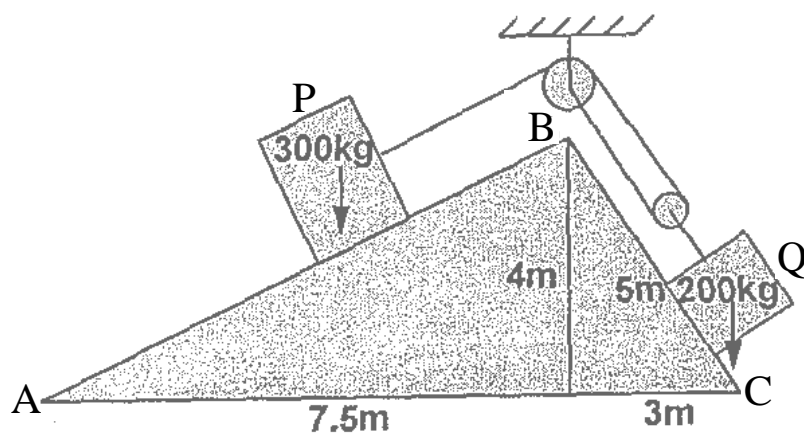
- (一) 活塞 H 承受多少力？(10 分)
- (二) C 點之受力？(5 分)
- (三) D 點之受力？(5 分)



(本圖為未按比例之示意圖)

二、如圖所示，P、Q 兩質量塊由繩索通過一滑輪系統，P 質量塊重 300 kg 且與 AB 面間之摩擦係數為 0.2；Q 質量塊重 200 kg 且與 BC 面間之摩擦係數為 0.25，試求：

- (一) 物體 Q 之加速度？(10 分)
- (二) 繩索所承受張力？(10 分)



(請接背面)



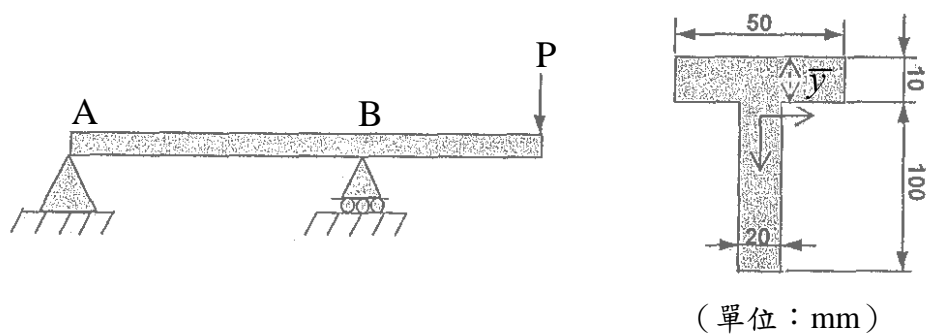
104年公務人員特種考試關務人員考試、  
 104年公務人員特種考試身心障礙人員考試及  
 104年國軍上校以上軍官轉任公務人員考試試題

代號：14430

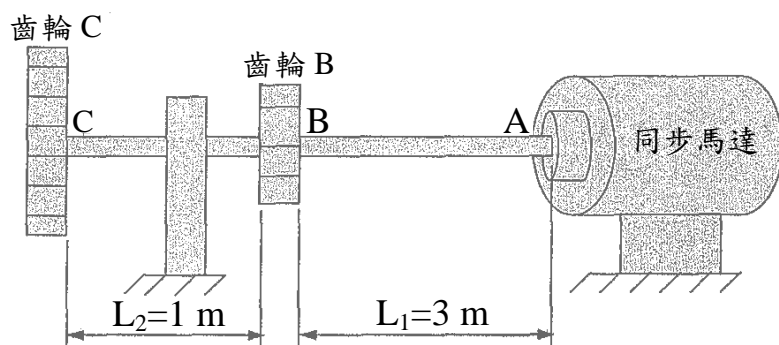
全一張  
 (背面)

考試別：關務人員考試  
 等別：四等考試  
 類科：機械工程  
 科目：機械力學概要

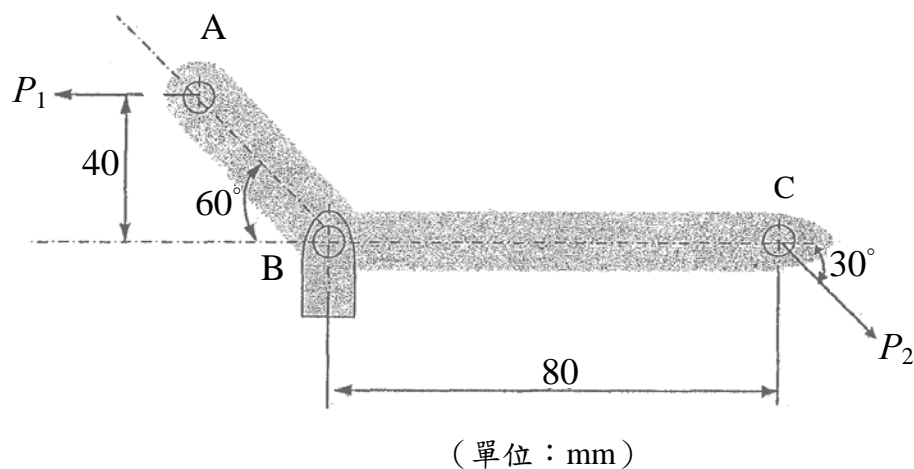
三、如圖所示，一個梁架外部承受  $P$  力，若材料容許拉應力為  $50 \text{ MPa}$ ，壓應力  $100 \text{ MPa}$ ，試求下列：(一)重心  $(\bar{y})$ ？(5分)(二)面積慣性矩？(5分)(三)  $P$  力所造成的最大拉應力  $\sigma_{t \max}$ ？(5分)(四)  $P$  力所造成的最大壓應力  $\sigma_{c \max}$ ？(5分)



四、如圖所示，同步馬達啟動後輸出  $500 \text{ kW}$ ，轉速頻率在  $5 \text{ Hz}$  時，B 與 C 處可輸出  $200$  及  $300 \text{ kW}$ ，若容許剪應力為  $60 \text{ MPa}$  與容許扭角為  $0.04 \text{ rad}$ ，試求下列問題：(一) AB 段扭矩直徑？(5分)(二) BC 段扭矩直徑？(5分)(三)安全之最小容許直徑？(10分)



五、如圖所示一搖臂，已知：負載  $P_1 = 100 \text{ kN}$ ， $P_2 = 50 \text{ kN}$ ，容許剪應力  $\tau_{allow} = 150 \text{ MPa}$ ，容許支撐應力  $\sigma_{allow} = 300 \text{ MPa}$ ，試求下列問題：(一) B 處之支撐反力？(10分)(二) B 處安全軸銷直徑為多少？(10分)



104年公務人員特種考試關務人員考試、  
104年公務人員特種考試身心障礙人員考試及  
104年國軍上校以上軍官轉任公務人員考試試題

代號：14450

全一張  
(正面)

考試別：關務人員考試  
等別：四等考試  
類科：機械工程  
科目：機械原理概要  
考試時間：1小時30分

更多關務考試科目的歷屆題庫  
立即上網搜尋“關務考試歷屆考古題”  
高鋒公職補習班整理  
Line@帳號：@gaofeng  
連絡電話：07-236-7296

座號：\_\_\_\_\_

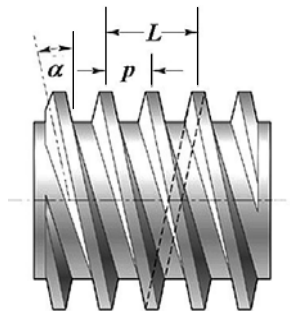
※注意：(一)可以使用電子計算器。

(二)不必抄題，作答時請將試題題號及答案依照順序寫在試卷上，於本試題上作答者，不予計分。

一、某螺紋的螺旋中間直徑 (mean diameter) 的符號為  $D$ ，螺旋角的符號為  $\beta$ ，試問：  
(每小題 10 分，共 20 分)

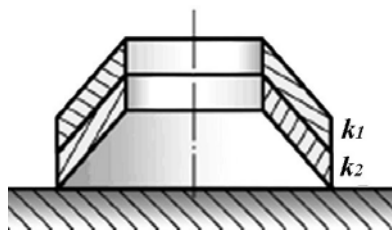
(一)如下螺紋表示圖上的  $p$ ， $L$  及  $\alpha$  的名詞為何？

(二)寫出  $\alpha$ ， $\beta$ ， $D$ ， $p$  及  $L$  之間有何數學關係式並加以說明之。

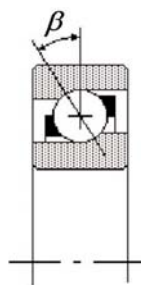


二、(一)下圖表示為何種彈簧？試述其形狀、性能及用途。(10分)

(二)圖中的彈簧率 (spring rate) 分別為  $k_1$  及  $k_2$ ，試問總彈簧率？若負荷為  $F$ ，總位移為若干？(10分)



三、(一)如圖中所示為斜角滾珠軸承 (angular contact ball bearing)，試敘述：承受負荷情況，接觸角  $\beta$  與性能的影響關係，及如何應用此種軸承來承受雙方向的軸向推力？(10分)



(二)某個滾子軸承 (roller bearing) 轉速為 500 rpm，期望壽命為 3000 小時，承受 2140 N 之徑向負荷，試問所需之動額定負荷 (dynamic basic load rating) 為若干？(10分)

提示：
$$\tilde{L} = \left(\frac{C}{R}\right)^m$$

(請接背面)

104年公務人員特種考試關務人員考試、  
104年公務人員特種考試身心障礙人員考試及  
104年國軍上校以上軍官轉任公務人員考試試題

代號：14450

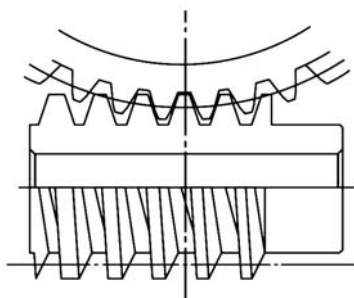
全一張  
(背面)

考試別：關務人員考試  
等別：四等考試  
類科：機械工程  
科目：機械原理概要

四、圖中表示為蝸桿與蝸齒輪的嚙合示意圖，請說明：（每小題 10 分，共 20 分）

(一)蝸桿與蝸輪的基本幾何構造及其應用。

(二)有三線蝸桿與 45 齒之蝸輪相嚙合，欲使蝸輪轉動 10 rpm，試問需輸入蝸桿的轉速為若干 rpm？



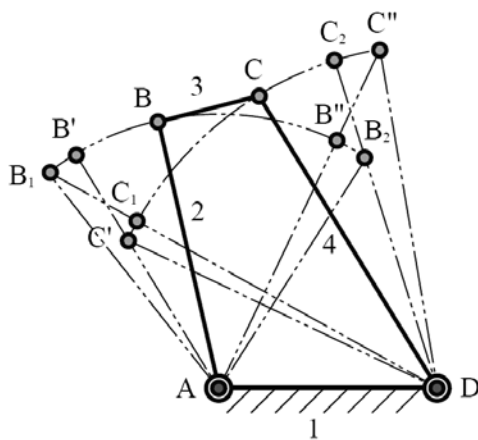
五、如圖表示一個四連桿雙搖桿機構（double rocker linkage），圖上顯示桿件編號為 1 至 4。

(一)以該圖說明該機構運動的四個死點位置。（5 分）

(二)若要構成雙搖桿機構，以該圖連桿長度說明那些條件必須成立。（8 分）

(三)下列何項是雙搖桿機構的應用例，並以機構圖說明其理由？

- ①自行車運動機構 ②插床運動機構 ③電風扇搖擺運動機構 ④壓縮機往復運動機構  
⑤歐丹連結器（oldham coupling）機構。（7 分）



103年公務人員特種考試關務人員考試、103年公務人員特種考試身心障礙人員考試及103年國軍上校以上軍官轉任公務人員考試試題

代號：14120 全一張  
| (正面)  
14620

考試別：關務人員考試  
等別：四等考試  
類科：各科別  
科目：國文（作文、公文與測驗）  
考試時間：2小時

更多關務考試科目的歷屆題庫  
立即上網搜尋“關務考試歷屆考古題”  
高鋒公職補習班整理  
Line@帳號：@gaofeng  
連絡電話：07-236-7296

座號：\_\_\_\_\_

※注意：禁止使用電子計算器。

甲、作文與公文部分：

(一)請以藍、黑色鋼筆或原子筆在申論試卷上由左至右橫式作答，於本試題上作答者，不予計分。  
(二)不得於試卷上書寫姓名或入場證號。

一、作文：（60分）

春天是生命復甦、青春洋溢的日子，也是人們感念、祭祀祖先的清明時節。《論語·學而》篇也記載：「曾子曰：『慎終追遠，民德歸厚矣！』」請以「**孝道在現代社會的實踐與省思**」為題，作文一篇，闡述申論個人看法或意見。

二、公文：（20分）

自102年1月菸酒管理法第46條修正實施裁罰以來，鑑於多有入出境旅客攜帶超量菸酒隱匿不申報之違法行為，試擬財政部關務署致函所轄基隆、臺北、臺中、高雄等4關，加強宣導進出國門之旅客及領隊導遊，應注意入境時，不得未申報攜帶超過免稅菸酒限量規定，以免受罰。

乙、測驗部分：（20分）

代號：2141

(一)本測驗試題為單一選擇題，請選出一個正確或最適當的答案，複選作答者，該題不予計分。  
(二)共10題，每題2分，須用2B鉛筆在試卡上依題號清楚劃記，於本試題或申論試卷上作答者，不予計分。

1. 成語「烏飛兔走」之意，最近於下列何者？

- (A)兔死狐悲 (B)竭澤而漁 (C)日月如梭 (D)烏盡弓藏

2. 老子主張的理想社會是「小國寡民」，「鄰國相望，雞犬之聲相聞，民至老死不相往來」。所謂「雞犬之聲相聞」主要的意思是：

- (A)村民彼此不介意噪音干擾，相安無事  
(B)村民居住的距離很近，彼此互聞聲息  
(C)村民性情勤勞樸實，以飼養雞犬增進家庭生計  
(D)村民喜好飼養雞犬，營造熱鬧溫馨的家居情調

3. 下列那一個選項「」中的語詞屬於外來文化語彙？

- (A)久仰先生博學多聞，藻采煥發，貴為文壇「祭酒」  
(B)余光中先生獲頒兩岸詩會「桂冠」詩人獎，可喜可賀  
(C)這所大學已有百年歷史，並且具有「執牛耳」的學術地位  
(D)最近公司甄選高級幹部，大家都看好他有機會「早著先鞭」

4. 「鍥而舍之，朽木不折；鍥而不舍，金石可鏤。」《荀子·勸學》此語意近於下列何者？

- (A)朽木不可雕也 (B)滴水可以穿石  
(C)緣木求魚，徒勞無功 (D)欲窮千里目，更上一層樓

(請接背面)

103年公務人員特種考試關務人員考試、103年公務人員特種考試身心障礙人員考試及103年國軍上校以上軍官轉任公務人員考試試題

代號：14120 全一張  
| (背面)  
14620

考試別：關務人員考試  
等別：四等考試  
類科：各科別  
科目：國文（作文、公文與測驗）

- 5.子曰：「益者三友，損者三友。友直、友諒、友多聞，益矣。」《論語·季氏》下列選項中，那一個不是孔子所謂之「益者三友」？  
(A)見多識廣 (B)誠信實在 (C)正直不阿 (D)不記人惡
- 6.臺灣這個島嶼，說小是小，說大也很大，因為它匯集了整個大中華的精髓。從農業社會跨向商業社會，再踏上資訊時代，人類上千年的進化縮影，我們這一代的臺灣人都沾了邊。（阮忠義〈抽屜裡的浪花〉）文中認為臺灣「說大也很大」的原因為何？  
(A)臺灣未來可和中國大陸連結，幅員遼闊  
(B)臺灣是中華文明發展的縮影，內涵豐富  
(C)臺灣的農業與工業相當成熟，經濟發達  
(D)臺灣的資訊產業可連結世界，影響深遠
- 7.「夫臺灣之語，傳自漳、泉；而漳、泉之語，傳自中國。其源既遠，其流又長，張皇幽渺，墮緒微茫，豈真南蠻馭舌之音而不可以調宮商也哉？」（連橫《臺灣語典·序》）有關本段文字的分析，下列何者正確？  
(A)臺灣的語言曾經傳到了漳州與泉州 (B)臺灣的語言和中國古語有密切關係  
(C)臺灣的語言不適合配合音樂來演唱 (D)臺灣的語言有部分是學習鳥類發聲
- 8.唐太宗問許敬宗曰：「朕觀群臣之中，惟卿最賢。人有議其非者，何也？」敬宗對曰：「春雨如膏，農民喜其潤澤，行人惡其泥濘；秋月如鏡，佳人喜其玩賞，盜賊惡其光耀。天地之大，猶有憾焉，何況臣乎？」  
依據上文，下列那一個選項最接近許敬宗的說法？  
(A)宰相肚裡能撐船 (B)人非聖賢，孰能無過  
(C)相識滿天下，知心能幾人 (D)豈能盡如人意，但求無愧於心
- 9.杜甫詩「花徑不曾緣客掃，蓬門今始為君開」所描述的心境，應是下列何者？  
(A)嗟嘆貧病交加的晚年生活 (B)感懷交友零落的他鄉流浪  
(C)悲哀住宅簡陋的潦倒之感 (D)喜迎嘉賓來訪的殷勤之意
- 10.「花枝缺處青樓開，艷歌一曲酒一杯。美人勸我急行樂，自古朱顏不再來。君不見外州客，長安道。一回來，一回老。」（白居易〈長安道〉）  
下列那一個選項最切近本詩主旨？  
(A)醇酒美人，足以忘憂 (B)紅顏知己，可為佳偶  
(C)年華易逝，行樂及時 (D)京城客遊，引人傷懷

# 測驗式試題標準答案

考試名稱：103年公務人員特種考試關務人員考試、103年公務人員特種考試身心障礙人員考試及  
103年國軍上校以上軍官轉任公務人員考試

類科名稱：電機工程、化學工程、機械工程、一般行政、資訊處理、紡織工程、人事行政、農業技術、經建行政、會計  
、戶政、園藝、保育人員、一般民政、財稅行政、社會行政、電力工程、電子工程、教育行政

科目名稱：國文（作文、公文與測驗）（試題代號：2141）

題 數：10題

標準答案：

題號	01	02	03	04	05	06	07	08	09	10									
答案	C	B	B	B	D	B	B	D	D	C									

題號																			
答案																			

題號																			
答案																			

題號																			
答案																			

題號																			
答案																			

更多關務考試科目的歷屆題庫  
立即上網搜尋“關務考試歷屆考古題”  
高鋒公職補習班整理  
Line@帳號：@gaofeng  
連絡電話：07-236-7296

備 註：



考試別：關務人員考試  
等別：四等考試  
類科：各科別  
科目：英文  
考試時間：1小時

更多關務考試科目的歷屆題庫  
立即上網搜尋“關務考試歷屆考古題”  
高鋒公職補習班整理  
Line@帳號：@gaofeng  
連絡電話：07-236-7296

座號：\_\_\_\_\_

※注意：(一)本試題為單一選擇題，請選出一個正確或最適當的答案，複選作答者，該題不予計分。  
(二)本科目共50題，每題2分，須用2B鉛筆在試卡上依題號清楚劃記，於本試題上作答者，不予計分。  
(三)禁止使用電子計算器。

- 1 It is a common \_\_\_\_\_ that you hold the door open for anyone coming through behind you.  
(A) curiosity (B) contract (C) courage (D) courtesy
- 2 Fifteen minutes of \_\_\_\_\_ walking a day is a highly recommended exercise for your health.  
(A) spiral (B) tidy (C) brisk (D) hollow
- 3 Taylor Swift is undoubtedly a(n) \_\_\_\_\_ artist. Besides singing and songwriting, she can play the banjo guitar, piano, and ukulele.  
(A) indigenous (B) versatile (C) intentional (D) vulnerable
- 4 The \_\_\_\_\_ was so boring that many in the audience fell asleep in the middle of it.  
(A) lettuce (B) exhibition (C) lecture (D) exit
- 5 A \_\_\_\_\_ broke into the dormitory last night and stole several cell phones.  
(A) burglar (B) victim (C) plumber (D) carpenter
- 6 Be sure to be \_\_\_\_\_ at the interview. It gives a very good first impression.  
(A) actual (B) perpetual (C) casual (D) punctual
- 7 Almost half of the audience has fallen asleep; \_\_\_\_\_, the speech is very boring.  
(A) appropriately (B) accidentally (C) adequately (D) apparently
- 8 The extreme marathon runners have to overcome many \_\_\_\_\_ to finish the race.  
(A) miracles (B) objections (C) outcomes (D) obstacles
- 9 They have a very \_\_\_\_\_ relationship between them. They keep no secret from each other.  
(A) intimate (B) inferior (C) internal (D) identical
- 10 Without food and clothing in the Tsunami area, the number of \_\_\_\_\_ rose quickly.  
(A) casualties (B) celebrities (C) continuities (D) certainties
- 11 With proper \_\_\_\_\_, employees would do their jobs willingly and efficiently.  
(A) opposition (B) motivation (C) observation (D) construction
- 12 I could hardly \_\_\_\_\_ Susan, my kindergarten classmate. She had become so tall and pretty.  
(A) resolve (B) renounce (C) recognize (D) organize
- 13 His driver's license is \_\_\_\_\_ because of drunken driving.  
(A) sustained (B) expended (C) suspended (D) suspected
- 14 I don't think what you say is \_\_\_\_\_ to the topic; please get back to the subject.  
(A) ridiculous (B) relevant (C) resistant (D) radiant
- 15 The \_\_\_\_\_ about the border between the two countries gradually heated up.  
(A) bargain (B) reputation (C) disposition (D) dispute
- 16 It is very easy to \_\_\_\_\_ the work of others, but more difficult to accept criticism of one's own work.  
(A) get rid of (B) live up to (C) take up with (D) find fault with
- 17 What are some of the things in life that you have trouble \_\_\_\_\_ and try every means to prevent them from happening?  
(A) getting in touch with (B) putting up with (C) getting even with (D) making up with
- 18 In this primary school, Hispanics \_\_\_\_\_ 18% of the student population and Asians account for 28%.  
(A) institute (B) substitute (C) constitute (D) prostitute
- 19 Before you put a food product into your shopping cart, you should read the \_\_\_\_\_ list and nutrition information carefully.  
(A) management (B) operation (C) percentage (D) ingredient
- 20 Christmas is coming, and the Lins have started to \_\_\_\_\_ their Christmas tree.  
(A) separate (B) decorate (C) operate (D) moderate

請依下文回答第 21 題至第 25 題

Playing sports obviously helps your physical health. But did you know that following sports can 21 your mental health? So says Daniel Wann, a psychology professor at Murray State University in the US.

His research found that enthusiastic sports fans have lower rates of 22 and higher self-esteem than non-fans. The main reason? The “tribal” nature and the sense of 23. Fans are part of a social network, and any network offers the support that helps to keep people mentally sound.

Cheering a team provides an 24 outlet, and when they win, fans can feel a similar joy to the athletes’ and a lingering positive feeling. 25 following a losing team helps fans learn to cope and move on. So if people criticize you about being a sports-obsessed couch potato, tell them you’re doing it for your mental health.

- |    |                |                 |                |                   |
|----|----------------|-----------------|----------------|-------------------|
| 21 | (A) prove      | (B) expand      | (C) combine    | (D) benefit       |
| 22 | (A) depression | (B) expectation | (C) expression | (D) disappearance |
| 23 | (A) forgiving  | (B) belonging   | (C) consuming  | (D) negotiating   |
| 24 | (A) ambitious  | (B) artificial  | (C) emotional  | (D) electronic    |
| 25 | (A) Even       | (B) Though      | (C) When       | (D) Still         |

請依下文回答第 26 題至第 30 題

A “No Kissing” sign has been unveiled at Warrington Bank Quay railway station in northern England. The 26 is to stop departing passengers from pulling up at a crowded drop-off point to kiss goodbye. The spokesman of Virgin Rail, which runs the station, says that they have 27 the sign because the drop-off point is not a big area and drivers block the access to the station while saying goodbye to departing passengers. The “No Kissing” sign is necessary in order to make the station more 28. Passengers are not 29 from kissing, says the spokesman. If they want to spend more time with their loved ones and kiss goodbye, they 30 to park in the short-stay car park nearby.

- |    |                      |                 |                     |                 |
|----|----------------------|-----------------|---------------------|-----------------|
| 26 | (A) conflict         | (B) obstacle    | (C) purpose         | (D) resource    |
| 27 | (A) torn down        | (B) put up      | (C) passed on       | (D) given in    |
| 28 | (A) ambitious        | (B) efficient   | (C) isolated        | (D) disciplined |
| 29 | (A) allowed          | (B) banned      | (C) confirmed       | (D) requested   |
| 30 | (A) would rather pay | (B) tend to pay | (C) could have paid | (D) should pay  |

請依下文回答第 31 題至第 35 題

Scientists have genetically modified mice to enable them to sniff out landmines, the explosives buried just below the surface of the ground. They hope the GM mouse, known as MouSensor, could become a useful tool to help deal with the dangerous devices left from past wars.

Although **it** sounds peculiar, similar efforts have already been made. A Belgian charity uses giant African HeroRats to sniff out the chemical explosive, TNT. Two of these rats can clear an area in less than two hours that would take two people two days to do. One disadvantage of the HeroRat, however, is that it needs nine months’ training before being ready for landmine detection.

Scientists wanted to improve on the HeroRat concept by creating a “supersniffer” mouse, MouSensor. They found that a receptor in the lab mouse’s nose is sensitive to the odor of the chemical elements in TNT and landmines. By altering the genes of the mouse, scientists are able to enhance the capability of its receptor 500 times stronger than before. Besides having super sniffing power, the MouSensor is cheaper to manage and easier to breed than the rats.

When the MouSensor detects the presence of a landmine, it would have some sort of a seizure and faint because of its extreme sensitivity of the explosives. And this change of the mouse’s physical condition would trigger a chip implanted under its skin to send a signal to a computer monitored by scientists. As a result, the location of the landmine could be identified, and a bomb-disposal expert could go in and neutralize it. The mouse itself would be safe from the landmine, since it would be too small to trigger an explosion.

- 31 How would a MouSensor help to identify the location of a landmine?
- |   |   |
|---|---|
| (A) It would lose consciousness.          | (B) It would look into a computer screen.           |
| (C) It would hide away from the landmine. | (D) It would touch a chip implanted under its skin. |
- 32 What does “**it**” in the second paragraph refer to?
- |  |
|--|
| (A) The use of landmines during war.                         |
| (B) The idea of using mice to detect landmines.              |
| (C) The practice of applying genetic engineering to animals. |
| (D) The need to remove dangerous devices left from wars.     |
- 33 Which part of a MouSensor’s body is most sensitive to the explosives?
- |               |               |               |                |
|---------------|---------------|---------------|----------------|
| (A) The feet. | (B) The skin. | (C) The nose. | (D) The mouth. |
|---------------|---------------|---------------|----------------|

- 34 Which of the following statements regarding the MouSensor is true?  
(A) A Belgian charity has already used them to sniff landmines.  
(B) The MouSensor would usually be safe in a field of landmines.  
(C) A MouSensor could run 500 times faster than a HeroRat.  
(D) Two MouSensors would need two hours to clear an area of landmines.
- 35 What is the advantage of the MouSensor over the HeroRat in detecting landmines?  
(A) It runs faster in the field. (B) It is less expensive to buy.  
(C) It does not need a long training period. (D) It neutralizes the bomb more effectively.

請依下文回答第 36 題至第 40 題

LOHAS is an acronym for Lifestyles of Health and Sustainability, a way of life that originated in the United States about a decade ago. LOHAS consumers are those who are passionate about the environment, sustainability, social issues, and health. To push social and environmental responsibility, they purchase products such as organic soap, recycled paper, hybrid cars, solar heating, and herbal tea.

Approximately 30% of American people are currently considered LOHAS consumers. The top product selection criterion for 40% of American consumers is organic quality. For 20% of the consumers, sustainability is a key criterion in deciding what to buy. The idea of LOHAS consumption continues to boost organic sales in the US. The US market for organic food is growing by about 3.5 billion US dollars a year, according to the result of Sustainability Research.

The LOHAS trend is also beginning to catch on in Japan, where workaholic “salarymen” are looking for quick fixes for stress and thinking green is becoming fashionable. Japan is receptive to LOHAS because the nation’s traditional culture embraces a nature-loving view on life with hot springs and seasonal gourmet. A Tokyo department store has a section for LOHAS goods. Magazines are singing the praises of the LOHAS lifestyle, including yoga, organic wine, and aroma therapy. A restaurant serving ordinary but healthy dishes such as brown rice and vegetable curry claims to be LOHAS. Not littering is also LOHAS. The values touch something as cheap as a hammock to something more expensive as Louis Vuitton luggage.

- 36 What is the main idea of the passage?  
(A) LOHAS consumption is getting popular in the US and Japan.  
(B) The concept of LOHAS applies to food, cosmetics, body care, and clothing.  
(C) Green products are now widely available and the price has declined.  
(D) LOHAS consumption plays an important role in fighting global warming.
- 37 Which item is NOT mentioned as an example of LOHAS?  
(A) Yoga. (B) Organic food. (C) Solar energy. (D) Bicycle.
- 38 According to the passage, what is the main reason for the popularity of LOHAS in Japan?  
(A) Japanese love Louis Vuitton luggage.  
(B) Japanese consumers are very educated and responsible.  
(C) Japanese suffer from long working hours and great pressure.  
(D) The concept of LOHAS is similar to the spirits of Japanese culture.
- 39 Which of the following statements is true about LOHAS consumers?  
(A) They are mostly workaholics.  
(B) They are concerned about environmental and social issues.  
(C) Their main shopping concern is the price.  
(D) They eat very little in order to stay healthy.
- 40 Which of the following statements is NOT correct?  
(A) LOHAS consumers take up half of the American population.  
(B) The LOHAS concept originated in America.  
(C) LOHAS people like a vegetarian diet.  
(D) LOHAS people avoid products that pollute our land.

請依下文回答第 41 題至第 45 題

Does your older brother think he’s cleverer than you? Well, he’s probably right. According to new research due to be published this week in the journal *Intelligence*, the oldest children in families are likely to have the highest IQs, and the youngest the lowest.

The research is based on more than 1,000 children whose IQ was tested through childhood and adolescence up to the age of 18. The Dutch study shows a birth-order effect on intelligence in each of the tests. Overall, the IQ of the first-born child was higher than the second-born, which, in turn, was greater than that of children who had two or more older siblings.

This is only the latest research to suggest that the order of birth can have a fundamental effect on diverse factors, ranging from the risk of cancer, asthma and eczema, to weight and even premature death. It can also affect personality, achievement, and career, with first-borns being more academically successful and more likely to win Nobel prizes. However, eldest children are less likely to be radical and pioneering. Charles Darwin, for example, was the fifth child of six.

Exactly why there should be such differences is not clear, and there are a number of theories, with many homing in on environmental influences on the child. The so-called dilution theory, for example, suggests that as family resources, both emotional and physical, as well as economic, are finite, it follows that as more children come along, the levels of parental attention and stimulation will drop.

- 41 What is the passage mainly about?  
(A) The dilution theory.  
(B) The effect of birth order on children.  
(C) The academic success of the eldest children.  
(D) Different theories about the differences among children.
- 42 According to the passage, eldest children are less likely to be \_\_\_\_\_ compared with the later borns.  
(A) adventurous (B) healthy (C) successful (D) intelligent
- 43 According to the research, which of the following is likely to have the lowest IQ?  
(A) The first-born. (B) The second-born. (C) The second youngest. (D) The last-born.
- 44 Which of the following statements is true?  
(A) Birth order affects many aspects of a person's life.  
(B) The 1,000 children in the study had their IQ tested only once.  
(C) The Dutch study is the first to examine the effects of birth order on intelligence.  
(D) The dilution theory suggests that the more children, the better family resources.
- 45 What does the phrase "homing in on" in the last paragraph mean?  
(A) Overlooking. (B) Doubting. (C) Paying attention to. (D) Being responsible for.

請依下文回答第 46 題至第 50 題

The Blue Grotto, or Grotta Azzurra, is a noted sea cave on the coast of the island of Capri, Italy. It was discovered by a German writer in August 1826. Since then it has become a popular tourist attraction. It is said that Roman emperors used the grotto as a private bath and antique statues were found in there. Inside the grotto, the sea seems to be lit from underwater. The brilliant blue of the sea fascinates its visitors. The enchantment results from another opening to the grotto, completely submerged. It allows the sunlight to pass through and light the water from below, creating a blue reflection that illuminates the cave. To get to Grotta Azzurra, there are motorboats that leave from the port of Marina Grande. At the entrance to the cave, passengers get into little rowing boats. The roof of the entrance is only one meter above the sea level so passengers have to lie down in the boat while passing into the cave. The grotto cannot be visited during adverse weather conditions.

- 46 What is the purpose of this passage?  
(A) To inform readers about a tourist attraction. (B) To persuade readers to visit Grotta Azzurra.  
(C) To offer ideas about spending a holiday in Capri. (D) To describe the author's visit to a famous cave.
- 47 What makes the Blue Grotto so famous?  
(A) It was discovered by a German writer. (B) Antique statues were found in the grotto.  
(C) It is difficult to get into the grotto. (D) The color of the sea is extraordinarily blue.
- 48 Why do visitors have to lie down in the boat?  
(A) The sunlight is too bright. (B) There are bats in the cave.  
(C) The roof of the cave entrance is very low. (D) The wind is very strong.
- 49 What is the meaning of "adverse"?  
(A) Unfavorable. (B) Splendid. (C) Dry. (D) Mysterious.
- 50 Which of the following statements is true?  
(A) Passengers take motorboats into the grotto. (B) The grotto has become famous since the 18th century.  
(C) There are two openings to the grotto. (D) The grotto was open to the public in Roman times.

# 測驗式試題標準答案

考試名稱：103年公務人員特種考試關務人員考試、103年公務人員特種考試身心障礙人員考試及  
103年國軍上校以上軍官轉任公務人員考試

類科名稱：電機工程、化學工程、紡織工程、一般行政、資訊處理、機械工程

科目名稱：英文（試題代號：4141）

更多關務考試科目的歷屆題庫  
立即上網搜尋“關務考試歷屆考古題”  
高鋒公職補習班整理  
Line@帳號：@gaofeng  
連絡電話：07-236-7296

題數：50題

標準答案：

題號	01	02	03	04	05	06	07	08	09	10	11	12	13	14	15	16	17	18	19	20
答案	D	C	B	C	A	D	D	D	A	A	B	C	C	B	D	D	B	C	D	B

題號	21	22	23	24	25	26	27	28	29	30	31	32	33	34	35	36	37	38	39	40
答案	D	A	B	C	A	C	B	B	B	D	A	B	C	B	C	A	D	D	B	A

題號	41	42	43	44	45	46	47	48	49	50										
答案	B	A	D	A	C	A	D	C	A	C										

題號																				
答案																				

題號																				
答案																				

備註：

103年公務人員特種考試關務人員考試、103年公務人員特種考試身心障礙人員考試及103年國軍上校以上軍官轉任公務人員考試試題

考試別：關務人員考試、身心障礙人員考試  
等別：四等考試  
類科：各科別、各類科  
科目：法學知識（包括中華民國憲法、法學緒論）

更多關務考試科目的歷屆題庫  
立即上網搜尋“關務考試歷屆考古題”  
高鋒公職補習班整理  
Line@帳號：@gaofeng  
連絡電話：07-236-7296

考試時間：1 小時

座號：\_\_\_\_\_

※注意：(一)本試題為單一選擇題，請選出一個正確或最適當的答案，複選作答者，該題不予計分。  
(二)本科目共 50 題，每題 2 分，須用 2B 鉛筆 在試卡上依題號清楚劃記，於本試題上作答者，不予計分。  
(三)禁止使用電子計算器。

- 依憲法權限劃分之規定，事務有全國一致之性質者屬於下列何者？  
(A)中央 (B)省 (C)直轄市 (D)縣（市）
- 考試院關於所掌理事項，得向那一個國家機關提出法律案？  
(A)行政院 (B)司法院 (C)監察院 (D)立法院
- 由總統提名，立法院同意之人員中，下列何者不受任期保障？  
(A)大法官 (B)司法院院長 (C)考試委員 (D)監察院院長
- 依據憲法規定，公務員懲戒屬於那個機關的職權？  
(A)監察院 (B)考試院 (C)行政院 (D)司法院
- 依憲法本文之規定，行政院之組織，以下列那一方式定之？  
(A)行政院會議之決議 (B)法律 (C)總統之命令 (D)緊急命令
- 有關我國憲政體制下行政與立法之關係，下列敘述何者錯誤？  
(A)行政院有向立法院提出決算案之義務  
(B)提出預算案為行政院之憲法職權  
(C)行政院對於立法院決議之法律案、預算案、條約案，如認為有窒礙難行時，得經總統之核可，於該決議案送達行政院 10 日內，移請立法院覆議  
(D)立法院得經全體立法委員三分之一以上連署，對行政院院長提出不信任案
- 下列何者為國家最高行政機關？  
(A)總統 (B)行政院 (C)國家安全會議 (D)國民大會
- 依憲法增修條文第 3 條，有關行政院對立法院負責方式，以下何者錯誤？  
(A)行政院有向立法院提出施政方針及施政報告之責  
(B)立法委員開會時，有對行政院院長質詢之權  
(C)行政院得向立法院提出國情報告  
(D)立法委員開會時，有對行政院所屬各部會首長質詢之權
- 下列何者不得拒絕至立法院備詢？  
(A)司法院院長 (B)監察院院長 (C)考試院院長 (D)行政院院長
- 依司法院釋字第 543 號解釋，關於緊急命令之說明，下列敘述何者正確？  
(A)對於緊急命令之相關細節性、技術性事項，不得由執行機關以命令補充  
(B)緊急命令係具有暫時替代或變更法律效力之命令  
(C)緊急命令得再授權為補充規定  
(D)緊急命令之補充命令不須經立法院追認，即得由行政機關發布。
- 以下何者非總統之職權？  
(A)獨立機關設置權 (B)院際紛爭調節權 (C)締約、宣戰及媾和之權 (D)緊急命令發布權
- 選舉制度的設計儘量保障每一張選票均有相同的價值，是那一個選舉原則的內涵？  
(A)普通選舉原則 (B)平等選舉原則 (C)直接選舉原則 (D)自由選舉原則



- 13 依憲法第 8 條規定，人民因犯罪嫌疑被逮捕拘禁時，其逮捕拘禁機關應將逮捕拘禁原因，以書面告知本人及下列何者？  
(A)其指定之受益人 (B)其服務機關之長官 (C)其指定之親友 (D)其服務機關之主管
- 14 下列何者不屬於社會權下之受益權？  
(A)生存權 (B)人格權 (C)工作權 (D)受教育權
- 15 憲法本文規定既是人民權利亦是人民義務者為：  
(A)選舉 (B)受國民教育 (C)服公職 (D)創制
- 16 依法對公務人員所為免職之懲處處分，主要限制人民之何項權利？  
(A)財產權 (B)服公職權 (C)結社權 (D)人格權
- 17 憲法第 23 條條文所稱之「必要」一詞，依據大法官向來釋憲實務之理解，主要為下列那一種原則的表現？  
(A)比例原則 (B)誠實信用原則 (C)平等原則 (D)信賴保護原則
- 18 下列何者不屬於憲法對「國民教育」之規定？  
(A)受國民教育是人民的權利 (B)受國民教育是人民的義務  
(C)國民教育之經費國家應優先編列 (D)國民教育應由政府興辦，私人不得興辦
- 19 有關平等原則，下列敘述何者錯誤？  
(A)平等原則要求相同事情相同處理，不同事情不同處理  
(B)平等原則一律禁止差別待遇  
(C)人民不得主張不法之平等  
(D)平等原則對行政、立法及司法機關均有拘束力
- 20 法律與憲法有無牴觸發生疑義時，下列何者為正確？  
(A)法院逕行拒絕適用 (B)立法院政黨協商 (C)由司法院解釋之 (D)人民直接提出釋憲
- 21 依憲法增修條文第 10 條之規定，國家應獎勵科學技術發展及投資，促進產業升級，推動何種產業現代化，重視水資源之開發利用，加強國際經濟合作？  
(A)工商業 (B)自由業 (C)農漁業 (D)礦產業
- 22 依憲法第 143 條第 2 項之規定，附著於土地之礦及經濟上可供公眾利用之天然力，歸屬於何者所有？  
(A)國家 (B)國民 (C)原住民 (D)發現者
- 23 依憲法第 6 條規定，下列何者關於中華民國國旗設計之說明是正確的？  
(A)紅地 (B)藍地 (C)綠地 (D)白地
- 24 依憲法前言，制定中華民國憲法之機關，係受到下列何者之付託？  
(A)聯合國 (B)全體國民 (C)世界和平組織 (D)日本及蘇聯
- 25 下列何者不是監察院的職權？  
(A)糾正 (B)彈劾 (C)糾舉 (D)覆議
- 26 下列何者並非行政命令使用之名稱？  
(A)規程 (B)條例 (C)辦法 (D)準則
- 27 關於實體法與程序法之區別，下列敘述，何者錯誤？  
(A)實體法乃規範權利義務之法律 (B)程序法乃規範權利義務如何實現之法律  
(C)民法總則施行法之性質係程序法 (D)司法院大法官審理案件法係實體法
- 28 下列何者為法律漏洞之填補方法？  
(A)文義解釋 (B)體系解釋 (C)歷史解釋 (D)類推適用
- 29 我國現行法律，係自西元 1902 年大清國與大不列顛王國續訂通航條約後大量繼受西方法制而來，其時所參照者，大多為下列何一法系的法律？  
(A)英美法系 (B)大陸法系 (C)伊斯蘭法系 (D)東亞法系

- 30 關於法律不溯及既往原則，於我國下列法律中，何者未明文揭示此一原則？  
(A)民法總則施行法 (B)民法親屬編施行法 (C)中央法規標準法 (D)刑法
- 31 依民法之規定，關於物權之取得，下列敘述，何者最正確？  
(A)因契約而取得不動產物權，不以登記為生效要件  
(B)因繼承而取得不動產物權，無須登記，即得處分該物權  
(C)動產物權之讓與，若受讓人尚未占有該動產，則讓與人無須將該動產交付，即生讓與效力  
(D)不動產物權之移轉，乃要式行為
- 32 甲向乙借新臺幣 30 萬元，約定每月償還 1 萬元，且此筆債務利息之年利率約定為百分之二十五。依民法之規定，下列敘述，何者錯誤？  
(A)應付利息之債務，其利率得由債權人與債務人約定  
(B)甲向乙借錢 2 年後，始得隨時清償本金  
(C)甲若欲依民法之規定提前清償本金，應於 1 個月前向乙預告  
(D)乙對於年利率百分之二十以上之利息，並無請求權
- 33 甲男與乙女於民國 94 年結婚，採法定財產制。結婚之時，甲男已有 BMW 重機 1 輛，存款 6 百萬元；乙女則有房屋 1 棟，鋼琴 1 台。婚後，甲男購置汽車 1 輛供上班、居家生活所用；乙女則在家教授鋼琴貼補家用，並購置輕型機車 1 輛作為代步工具。法定財產制關係消滅時，下列何者不得算入剩餘財產？  
(A)乙女教授鋼琴的收入 (B) BMW 重機 (C)汽車 (D)輕型機車
- 34 設甲以 A 地設定抵押權，擔保乙的 2 千萬債權，嗣後甲將 A 地的一部分分割讓與於丙（登記為 B 地），而乙亦將其對甲債權中的 3 百萬元讓與丁。在此情形下，除當事人另有約定外，乙、丁的債權仍存在於 A 地及 B 地之上，不因抵押物及抵押權的一部讓與而受影響，此為抵押權何種特性？  
(A)代位性 (B)對世性 (C)從屬性 (D)不可分性
- 35 民法第 949 條盜賊遺失物之回復請求權規定，依實務之見解，所謂之「盜賊」，不包含下列何者行為奪取之物？  
(A)搶奪 (B)強盜 (C)詐欺 (D)竊盜
- 36 關於行政行為，下列敘述，何者錯誤？  
(A)立法院之行政行為，不適用行政程序法之程序規定  
(B)最高法院之行政行為，不適用行政程序法之程序規定  
(C)監察院之行政行為，不適用行政程序法之程序規定  
(D)考試院所有行政行為，均不適用行政程序法之規定
- 37 刑法第 297 條意圖營利以詐術使人出國罪，如欲該當此罪，若認為除須具備意圖營利以詐術使行為客體出中華民國領域外等要件外，尚須行為人之行為有使被害人的人身自由因之而有受侵害或侵害之虞，始足當之。此種見解係對法條採用何種解釋方式而來？  
(A)限縮解釋 (B)文理解釋 (C)擴充解釋 (D)比較法解釋
- 38 各種解釋法律之方法中，何者為首先必須採取之方法？  
(A)文義解釋 (B)目的解釋 (C)歷史解釋 (D)反面解釋
- 39 若某一法律於民國 102 年 7 月 14 日公布，且該法律明定自公布之日起施行，則該法律自何時起發生效力？  
(A)民國 102 年 7 月 14 日 (B)民國 102 年 7 月 15 日 (C)民國 102 年 7 月 16 日 (D)民國 102 年 7 月 17 日
- 40 關於法規之廢止，下列敘述，何者錯誤？  
(A)機關裁併，以致法規無保留之必要，此乃法規廢止事由之一  
(B)法律之廢止，程序上無須由總統公布  
(C)行政命令之廢止，由原發布機關為之  
(D)法規有施行期限者，期滿後當然廢止，惟程序上仍應由主管機關公告之

- 41 依性別工作平等法之規定，受僱者任職滿 1 年後，於每一子女滿 3 歲前，得申請育嬰留職停薪，期間不得逾幾年？  
(A) 1 年 (B) 2 年 (C) 3 年 (D) 4 年
- 42 試問下列諸案例情形，何者於知有疑似家庭暴力情事者，不負有通報義務？  
(A)醫師診治某兒童大腿骨折傷害時，得知該傷害係該童父親體罰所致  
(B)心理諮商師輔導某男婚姻問題時，獲知該男之配偶每日對之辱罵，致令其畏縮，隨時處於精神緊繃狀態  
(C)教授課後於校外巧遇學生相互聊天時，得知該生之父親在家常有酗酒鬧事問題，致其母子飽受身心威脅  
(D)警員獲報處理深夜某戶夫妻爭吵擾鄰事宜時，發現該戶女主人臉上有瘀青痕跡
- 43 依勞動基準法之規定，下列何種情形雇主不得逕自終止與勞工間勞動契約？  
(A)勞工甲竊取工廠貴重金屬材料變賣圖利  
(B)財務長乙因觸犯洗錢防制法第 2 條第 2 款而被宣告有期徒刑 7 年確定  
(C)服務員丙不滿經理管理風格的偏頗而拳腳相向  
(D)女工丁懷孕 4 個月流產而獲產假，惟產假期間被查獲過去 1 個月不假未到工長達 8 天
- 44 依勞動基準法之規定，下列何種工作之勞動契約，應為不定期契約？  
(A)臨時性工作 (B)有繼續性工作 (C)短期性工作 (D)季節性工作
- 45 關於著作人格權，依著作權法之規定，下列敘述，何者正確？  
(A)著作人格權之讓與，以登記為生效要件 (B)著作人格權之讓與，為非要式行為  
(C)著作權人死亡，其著作人格權之保護，即視同消滅 (D)著作人格權不得讓與
- 46 依公司法之規定，下列何者並非股份有限公司監察人的監察權行使方式？  
(A)監察人為監察董事會之業務執行，得無視董事會而逕行召集股東會  
(B)當董事為自己與公司進行買賣時，由監察人為公司之代表  
(C)監察人對於董事會編造提出股東會之表冊應予查核  
(D)董事會召開時，監察人有權列席陳述意見
- 47 關於公司，依公司法之規定，下列敘述，何者錯誤？  
(A)公司乃財團法人  
(B)有限公司，係指由一人以上股東所組織，就其出資額為限，對公司負其責任之公司  
(C)公司之成立，須在中央主管機關完成登記  
(D)解散之公司，於清算之必要範圍內，視為尚未解散
- 48 下列何者之行爲，雖實現刑法之犯罪構成要件，但不成立犯罪？  
(A)公務員明知長官命令違法，而依該命令所爲之職務行爲 (B)業務上之正當行爲  
(C) 17 歲人之行爲 (D) 80 歲人之行爲
- 49 關於公務員執行職務犯罪，依刑法之規定，下列敘述，何者錯誤？  
(A)我國公務員在外國實現刑法第 121 條規定之不違背職務受賄行爲，依我國刑法第 121 條處罰  
(B)我國公務員在外國實現刑法第 122 條規定之違背職務受賄行爲，依我國刑法第 122 條處罰  
(C)公務員徵收明知不應徵收之稅款，不成立犯罪，但仍應受行政上之制裁  
(D)公務員假借職務上之權力，犯刑法第 221 條之強制性交罪，加重其刑至二分之一
- 50 我國有期徒刑之數罪併罰處斷方式，係採用下列何一原則？  
(A)宣告刑限制加重原則 (B)法定刑限制加重原則 (C)併科原則 (D)吸收原則

# 測驗式試題標準答案

考試名稱：103年公務人員特種考試關務人員考試、103年公務人員特種考試身心障礙人員考試及  
103年國軍上校以上軍官轉任公務人員考試

類科名稱：資訊處理、一般行政、電機工程、化學工程、機械工程、紡織工程、社會行政、園藝、一般民政、財稅行政  
、會計、電子工程、電力工程、教育行政、經建行政、保育人員、人事行政、戶政、農業技術

科目名稱：法學知識（包括中華民國憲法、法學緒論）（試題代號：1141）

題數：50題

標準答案：

題號	01	02	03	04	05	06	07	08	09	10	11	12	13	14	15	16	17	18	19	20
答案	A	D	B	D	B	A	B	C	D	B	A	B	C	B	B	B	A	D	B	C

題號	21	22	23	24	25	26	27	28	29	30	31	32	33	34	35	36	37	38	39	40
答案	C	A	A	B	D	B	D	D	B	C	D	B	B	D	C	D	A	A	C	B

題號	41	42	43	44	45	46	47	48	49	50										
答案	B	C	D	B	D	A	A	B	C	A										

更多關務考試科目的歷屆題庫  
立即上網搜尋“關務考試歷屆考古題”  
高鋒公職補習班整理  
Line@帳號：@gaofeng  
連絡電話：07-236-7296

題號																				
答案																				

題號																				
答案																				

備註：

103年公務人員特種考試關務人員考試、103年公務人員特種考試身心障礙人員考試及103年國軍上校以上軍官轉任公務人員考試試題

代號：14330 全一張  
(正面)

考試別：關務人員考試  
等別：四等考試  
類科：機械工程  
科目：機械力學概要  
考試時間：1小時30分

更多關務考試科目的歷屆題庫  
立即上網搜尋“關務考試歷屆考古題”  
高鋒公職補習班整理  
Line@帳號：@gaofeng  
連絡電話：07-236-7296

座號：\_\_\_\_\_

※注意：(一)可以使用電子計算器。

(二)不必抄題，作答時請將試題題號及答案依照順序寫在試卷上，於本試題上作答者，不予計分。

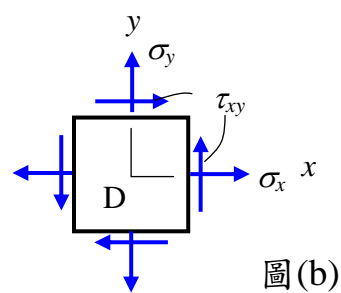
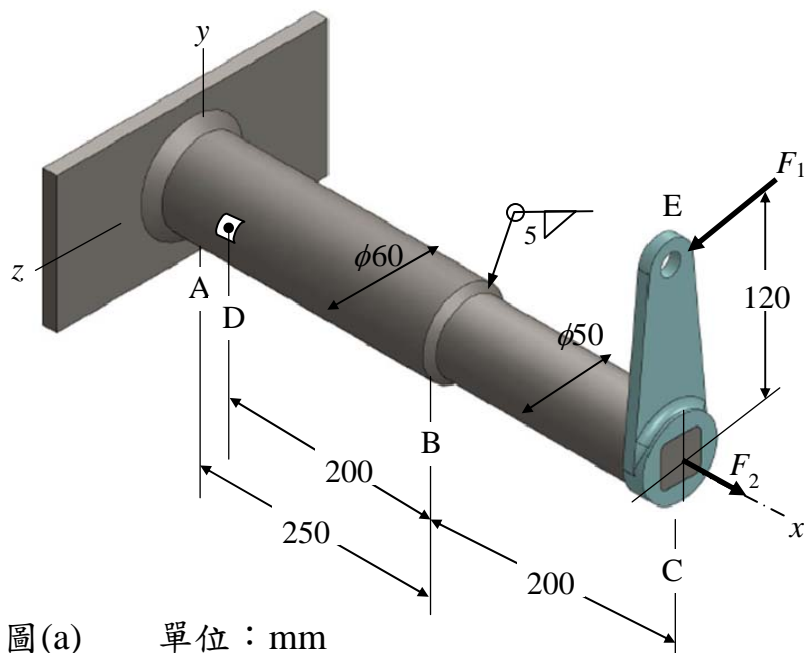
一、兩直徑分別為 $\phi 60$  mm 與  $\phi 50$  mm 之圓桿件，以填角焊接合於 B、並固定於 A，如圖(a)所示，若  $F_1$  及  $F_2$  力之大小分別為 5,000 N 及 20,000 N， $F_1$  平行於  $z$  軸， $F_2$  作用於桿件軸心且沿  $x$  軸方向，則：

(一) A 截面上所承受扭矩大小為多少 N-m？(10 分)

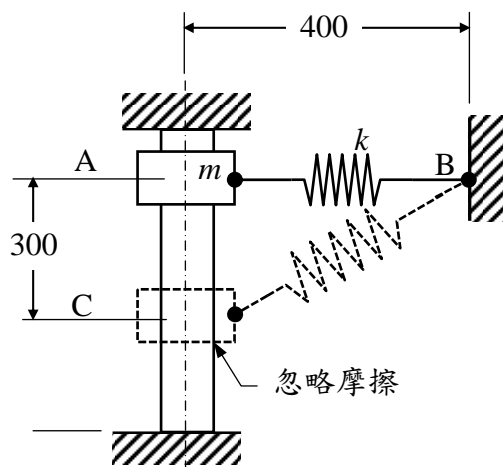
(二) 若 D 位於桿件  $z$  側外表，且圖(b)為其應力元素，試求  $\sigma_x$ 、 $\sigma_y$  及  $\tau_{xy}$  分別為多少？(10 分)

(三) D 處之最大主應力為多少？(10 分)

註：參考公式 直徑  $d$  之圓形截面桿件的面積慣性矩  $I_1 = \frac{\pi d^4}{64}$  (非軸向)、 $I_2 = \frac{\pi d^4}{32}$  (軸向)



二、受彈簧限制之滑塊，如圖所示，由 A 處自由滑落，當滑塊穩定後停留在距 A 有 300 mm 之 C 處，若滑塊於 A 處時，彈簧剛好是其自由長度，試求滑塊之質量  $m$  大小應為何？已知彈簧常數  $k$  為 10 N/mm，且可忽略滑塊之摩擦，重力加速度  $g = 9.8 \text{ m/s}^2$ 。(20 分)



(請接背面)

103年公務人員特種考試關務人員考試、103年公務人員特種考試身心障礙人員考試及103年國軍上校以上軍官轉任公務人員考試試題

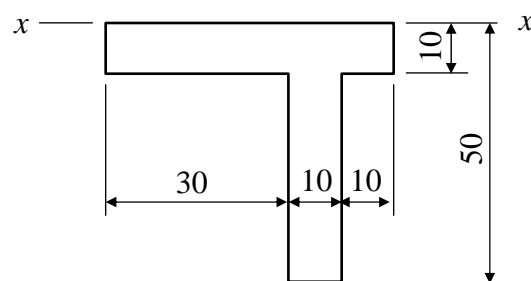
代號：14330 全一張  
(背面)

考試別：關務人員考試  
等別：四等考試  
類科：機械工程  
科目：機械力學概要

三、如圖所示，試求該不對稱 T 形截面對平行  $x - x$  軸且通過截面形心之軸的面積慣性矩。(20分)

註：參考公式 底邊寬  $b$ ，高度  $h$  之矩形截面，其對通過形心且平行於底邊之軸的面積慣性矩

$$I = \frac{bh^3}{12}$$

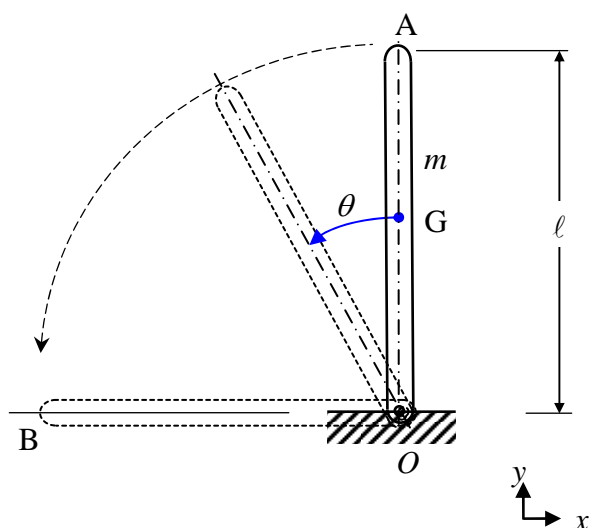


單位：mm

四、質量  $m$ 、長度  $l$  之桿件  $OA$  以插銷支承於  $O$ ，如圖所示，由  $A$  處自由落下，若支承  $O$  處之摩擦阻抗可忽略不計，試求當桿件到達水平位置  $B$  處，即  $\theta = 90^\circ$  時：

- (一) 桿件  $OA$  之角速度為多少  $\text{rad/s}$ ? (10分)
- (二) 桿件  $OA$  之角加速度為多少  $\text{rad/s}^2$ ? (10分)
- (三)  $O$  處之支承力為何? (10分)

註：參考公式 長  $l$ 、質量  $m$  之長形桿件的質量慣性矩  $J = \frac{ml^2}{12}$  (質心，非軸向)





103年公務人員特種考試關務人員考試、103年公務人員特種考試身心障礙人員考試及103年國軍上校以上軍官轉任公務人員考試試題

代號：14350 全一張  
(正面)

考試別：關務人員考試  
等別：四等考試  
類科：機械工程  
科目：機械原理概要  
考試時間：1小時30分

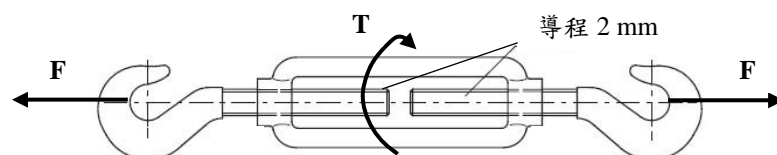
更多關務考試科目的歷屆題庫  
立即上網搜尋“關務考試歷屆考古題”  
高鋒公職補習班整理  
Line@帳號：@gaofeng  
連絡電話：07-236-7296

座號：\_\_\_\_\_

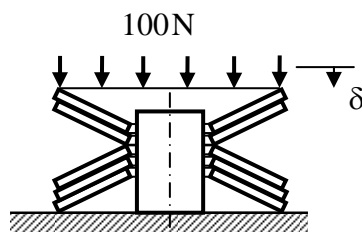
※注意：(一)可以使用電子計算器。

(二)不必抄題，作答時請將試題題號及答案依照順序寫在試卷上，於本試題上作答者，不予計分。

- 一、有一如圖所示之鬆緊螺栓扣，其兩側螺紋之導程 (lead) 為 2 mm，若螺紋之機械效率為 80%，則當施加  $T=30 \text{ N}\cdot\text{m}$  之旋緊力矩，
- (一)試求在兩側所能產生之拉力  $F$ 。(10分)
- (二)試說明在此螺栓之尺寸規格選用上 (如公稱直徑大小、咬合之螺牙數等)，需考量那些重要之螺栓受力強度因素？(10分)



- 二、如圖所示之盤形彈簧 (disk spring) 組合，中間為一導桿，若其單一彈簧皆於線性變形範圍內且每一彈簧常數皆為  $10 \text{ N/mm}$ ，在圖中之堆疊排列狀況下，試求負載為  $100 \text{ N}$  時，彈簧組之總變形量  $\delta$  為多少？(20分)



- 三、試繪出一漸開線正齒條 (rack) 示意圖，並於其上標示說明下列各部名稱：  
(每小題 2 分，共 20 分)
- (一)節線 (pitch line)  
(二)齒頂高 (addendum)  
(三)齒根高 (dedendum)  
(四)齒腹 (flank of tooth)  
(五)齒厚 (tooth thickness)  
(六)齒寬 (tooth width)  
(七)齒距 (pitch)  
(八)背隙 (backlash)  
(九)壓力角 (pressure angle)  
(十)工作深度 (working depth)

(請接背面)

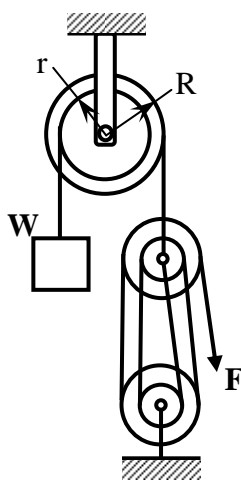
103年公務人員特種考試關務人員考試、103年公務人員特種考試身心障礙人員考試及103年國軍上校以上軍官轉任公務人員考試試題

代號：14350 全一張  
(背面)

考試別：關務人員考試  
 等別：四等考試  
 類科：機械工程  
 科目：機械原理概要

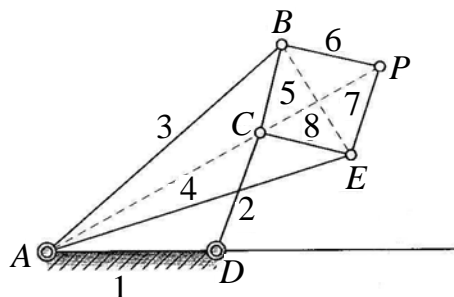
四、如圖所示之起重滑車， $R=60\text{ mm}$ ， $r=40\text{ mm}$ ， $W=500\text{ N}$ ，總體之機械效率為90%，試求：

- (一)等速吊起重物  $W$  所需之施力  $F$ 。(10分)
- (二)等速下降重物  $W$  所需之施力  $F$ 。(10分)



五、有一如圖所示之連桿機構，其中桿件長度表示為  $L_x$ ， $x$  為桿件編號，且  $L_1=L_2$ ， $L_3=L_4$ ， $L_5=L_6=L_7=L_8$ ，

- (一)試列出此機構之對偶數及連桿數，並據以判斷此連桿組為呆鏈 (locked chain)、拘束鏈 (constrained chain) 或無拘束鏈 (unconstrained chain)。(10分)
- (二)試說明此連桿機構  $P$  點在運動上有何特色。(10分)



註：桿件旁數值  
為桿件編號

101年公務人員特種考試關務人員考試、101年公務人員特種考試  
移民行政人員考試及101年國軍上校以上軍官轉任公務人員考試試題 代號：20110-20610 全一張  
60110 (正面)

等 別：四等關務人員考試、四等移民行政人員考試

類(科)別：各科別、移民行政

科 目：國文(作文、公文與測驗)

考試時間：2小時

※注意：禁止使用電子計算器。

更多關務考試科目的歷屆題庫  
立即上網搜尋“關務考試歷屆考古題”  
高鋒公職補習班整理  
Line@帳號：@gaofeng  
連絡電話：07-236-7296

座號：\_\_\_\_\_

### 甲、作文與公文部分：

- (一)請以藍、黑色鋼筆或原子筆在申論試卷上由左至右橫式作答，於本試題上作答者，不予計分。  
(二)不得於試卷上書寫姓名或入場證號。

#### 一、作文：(60分)

在日常生活中，他人的一種行為、一段話語，或是一件新聞、一篇故事，乃至於自己經歷過的人與事，往往都能帶給我們一些思考和反省。請以「生活中的一個啓示」為題，作文一篇。

#### 二、公文：(20分)

試擬內政部致各直轄市、縣(市)政府函：請依據本部公告之「青年安心成家方案」及「青年安心成家作業規定」，積極宣導並受理在籍民眾之申請。

### 乙、測驗部分：(20分)

代號：1201

- (一)本測驗試題為單一選擇題，請選出一個正確或最適當的答案，複選作答者，該題不予計分。  
(二)共10題，每題2分，須用2B鉛筆在試卡上依題號清楚劃記，於本試題或申論試卷上作答者，不予計分。

#### 1. 下列題辭，使用正確的選項是：

- (A)鳳振高崗：賀生女 (B)業紹陶朱：賀遷居  
(C)南極星輝：賀男壽 (D)彤管流芳：賀音樂會演出

#### 2. 下列各文句中的成語，何者使用有誤？

- (A)請原諒我這觀棋者多嘴了，實在是情不自禁，忍不住啊  
(B)這件事情的影響很廣泛，動輒得咎，我們要謹慎地處理  
(C)他剛才這些建議與說法都是些老成之見，我們不需要考慮  
(D)歹徒抓著人質當盾牌，使得警方投鼠忌器，不敢輕易行動

#### 3. 「遷移」造成文化衝突與融合，常見的是，自原有環境帶來的質性，到了異地竟產生變化。下列成語，何者最切合此種情況？

- (A)見異思遷 (B)物換星移 (C)不脛而走 (D)橘化為枳

#### 4. 子曰：「貧而無怨，難；富而無驕，易。」(《論語·憲問》)細審其意，下列何者闡述最為切近？

- (A)孔子強調貧賤不移更是難能可貴  
(B)孔子說明富貴者易沈迷驕奢淫佚  
(C)貧而怨、富而驕，誠屬有違人情之常  
(D)貧無怨、富無驕，取決於處世之難易

#### 5. 鄭人有且置履者，先自度其足而置之其坐，至之市而忘操之。已得履，乃曰：「吾忘持度。」反歸取之。及反，市罷，遂不得履。人曰：「何不試之以足？」曰：「寧信度，無自信也。」(《韓非子·外儲說左上》)

下列詞語最適合用來形容鄭人行為的是：

- (A)擇善固執 (B)標新立異 (C)寧缺勿濫 (D)不知變通

(請接背面)

等 別：四等關務人員考試、四等移民行政人員考試

類(科)別：各科別、移民行政

科 目：國文(作文、公文與測驗)

6. 閱讀下列詩作後回答問題：

「昨天剛立春  
她便忙著為我收拾冬裝

仍是那件脫毛的大衣  
仍是那件大衣的口袋  
仍是口袋裡那個洞  
仍是妻的手指伸進去  
翻轉口袋一看  
仍是那隻又瘦了一些的  
食指」 (洛夫〈妻的手指〉)

有關本詩的詮釋，下列何者較不妥當？

- (A) 詩中描摹出妻子安貧樂道的生活情景
- (B) 詩中暗寓對妻子不擅織衣的無奈與包容
- (C) 詩中隱含詩人對妻子勞累的不捨與珍惜
- (D) 詩中呈現出樸實生活中夫妻的鶼鶼情深

閱讀下列文字，回答第7.題至第8.題

趙人患鼠，乞貓於中山。中山人予之貓，善捕鼠及雞。月餘，鼠盡而其雞亦盡。其子患之，告其父曰：「盍去諸？」其父曰：「是非吾所知也。吾之患在鼠，不在乎無雞。夫有鼠，則竊吾食，毀吾衣，穿吾垣墉，壞傷吾器用，吾將飢寒焉；不病於無雞乎？無雞者，弗食雞則已耳，去飢寒猶遠。若之何而去夫貓也？」（《郁離子·卷上》）

7. 根據本文，「盍去諸」的意思是：

- (A) 為何還要去那裡呢
- (B) 為何不把貓送走呢
- (C) 為何不把老鼠趕走呢
- (D) 為何不想辦法避免呢

8. 根據上述文義，其寓意為何？

- (A) 兩害相權取其輕
- (B) 人無遠慮，必有近憂
- (C) 斬草不除根，春風吹又生
- (D) 寧可錯殺一百，不可放過一人

閱讀下列文字，回答第9.題至第10.題

山林而在塵市，非有穹谷高巖、深林幽澗而名遍寰區者，吾郡虎丘山而已。山近西郭，距閭門不數里，為商賈交集之地，列肆鱗比，青翰往來，殆無虛日。往時遊跡盛於中秋，今則端午先後數日，畫舫珠簾，人雲汗雨，填流塞渠，紈袴子又復徵歌選伎於其間，郡中士女傾城而往。（清·褚逢椿《桐橋倚棹錄·序》）

9. 依據上文，下列各選項相關敘述何者確當？

- (A) 作者對於慶典時人聲雜遝的喧鬧擁擠，深感厭惡
- (B) 自古至清代，每年登訪虎丘山的熱門時節，都在中秋節
- (C) 虎丘山地近城市，沒有高山深谷、幽深林澗，卻能遠近馳名
- (D) 登臨虎丘山，可以領略「心凝形釋，與萬化冥合」的逸趣

10. 本序描述意在突顯虎丘山的遊覽特色與趣味，下列各詩句的情境何者與之較為相近？

- (A) 林壑層攀倚石闌，亂峰隱隱吐雲端
- (B) 風聲滿徑竹鏗爾，春氣入林花翳如
- (C) 白雲終古葬釵鈿，寂寂荒墳盡可憐
- (D) 一棹涼波招粉黛，兩行疏樹引笙歌

# 測驗式試題標準答案

考試名稱：101年公務人員特種考試關務人員考試、101年公務人員特種考試移民行政人員考試及  
101年國軍上校以上軍官轉任公務人員考試

類科名稱：機械工程、電機工程、化學工程、紡織工程、資訊處理、一般行政、移民行政

科目名稱：國文（作文、公文與測驗）（試題代號：1201）

更多關務考試科目的歷屆題庫  
 立即上網搜尋“關務考試歷屆考古題”  
 高鋒公職補習班整理  
 Line@帳號：@gaofeng  
 連絡電話：07-236-7296

題數：10題

標準答案：

題號	01	02	03	04	05	06	07	08	09	10									
答案	C	C	D	A	D	B	B	A	C	D									

題號																			
答案																			

題號																			
答案																			

題號																			
答案																			

題號																			
答案																			

備註：



等 別：四等關務人員考試

類(科)別：各科別

科 目：英文

考試時間：1 小時

更多關務考試科目的歷屆題庫  
立即上網搜尋“關務考試歷屆考古題”  
高鋒公職補習班整理  
Line@帳號：@gaofeng  
連絡電話：07-236-7296

座號：\_\_\_\_\_

※注意：(一)本試題為單一選擇題，請選出一個正確或最適當的答案，複選作答者，該題不予計分。  
(二)本科目共 50 題，每題 2 分，須用 2B 鉛筆在試卡上依題號清楚劃記，於本試題上作答者，不予計分。  
(三)禁止使用電子計算器。

- 1 Computers are \_\_\_ to most businesses. In other words, most businesses can not be operated without computers.  
(A) initial (B) indispensable (C) innovative (D) disruptive
- 2 I don't know why you can't get along with your twin sister. I thought twins should be very \_\_\_ with each other.  
(A) compatible (B) competitive (C) compressed (D) confused
- 3 With no transportation \_\_\_, I have to go to school on foot every day.  
(A) foldable (B) invisible (C) portable (D) available
- 4 He is a \_\_\_ figure in the art world. Some think that he is a genius, while others look on him as a lunatic who just puts different elements together.  
(A) bureaucratic (B) controversial (C) sentimental (D) vicious
- 5 Jane invested in stocks and shares, thinking they were going to be \_\_\_; unfortunately, she lost all her savings.  
(A) massive (B) frugal (C) wasteful (D) profitable
- 6 The problem of global warming has become more and more serious. That is why we have to put the issue of environmental protection back on our \_\_\_.  
(A) agenda (B) alternative (C) anecdote (D) assembly
- 7 Jim's talent makes him \_\_\_, and he turns his nose up at others' achievements.  
(A) submissive (B) extravagant (C) supportive (D) arrogant
- 8 As she is allergic to \_\_\_ materials, she has to buy clothes made of cotton and linen.  
(A) synthetic (B) sympathetic (C) systematic (D) simplistic
- 9 The sales of cigarettes have dropped and the number of smokers has \_\_\_ in Taiwan recently.  
(A) degenerated (B) condensed (C) decreased (D) subsided
- 10 One of the greatest concerns of the government is the abrupt rise of the unemployment rate, which might imply economic \_\_\_.  
(A) recessions (B) reactions (C) reservations (D) recreations
- 11 You didn't do your homework. I want to hear your \_\_\_.  
(A) expectation (B) explanation (C) revolution (D) evolution
- 12 Some people go to fortune-tellers, while others use playing cards to try to \_\_\_ their future.  
(A) predict (B) forget (C) pursue (D) remember
- 13 The mayor decided to \_\_\_ a cellphone etiquette campaign to advocate the proper use of cellphones.  
(A) constitute (B) launch (C) overcome (D) violate
- 14 Mary has \_\_\_ in bed since last week.  
(A) lay (B) lied (C) laid (D) lain
- 15 Billy is a smart and \_\_\_ secretary. He never wastes his time on trifles.  
(A) fluent (B) affluent (C) efficient (D) sufficient
- 16 Coming out of the doctor's office, the lady approached her husband and \_\_\_ in his ear, "I'm pregnant."  
(A) commanded (B) whispered (C) splashed (D) quarreled

- 17 Fathers and sons have a long history of disagreeing on many subjects, \_\_\_ when the sons are teenagers.  
(A) reluctantly (B) occasionally (C) particularly (D) fortunately
- 18 In some department stores, there is a place where you can \_\_\_ yourself by playing video games.  
(A) erase (B) behave (C) support (D) entertain
- 19 The company's work schedule is \_\_\_; its employees can choose to work in the morning or in the afternoon.  
(A) colorful (B) flexible (C) punctual (D) professional
- 20 This vacuum cleaner won't work if it isn't \_\_\_ in.  
(A) given (B) soaked (C) plugged (D) connected
- 21 The Sydney Opera House, with its gleaming white sails breathtaking against the backdrop of the harbor, is the most \_\_\_ icon of the city.  
(A) eligible (B) reversible (C) expressible (D) recognizable
- 22 Every candidate in an election needs a catchy campaign \_\_\_ to attract voters' attention.  
(A) schedule (B) slogan (C) budget (D) partner
- 23 After taking a short break, the presenter took a drink from his cup and \_\_\_ his talk.  
(A) resolved (B) presumed (C) preceded (D) resumed
- 24 Four employees were absent today. One was sick, another took her maternity leave, and \_\_\_ were on a business trip.  
(A) another (B) the others (C) others (D) the other
- 25 He burned the candle at both ends \_\_\_ his already fragile health. Finally, he breathed his last breath with his goal achieved.  
(A) in terms of (B) by means of (C) at the expense of (D) in consideration of
- 26 I \_\_\_ to contact a friend living in Hualien for the past few days, but I still cannot reach him.  
(A) had tried (B) have been trying (C) had been trying (D) tried
- 27 The church, \_\_\_ in a war, was never rebuilt.  
(A) destroyed (B) destroying (C) that had destroyed (D) which destroyed
- 28 Since my opinion is \_\_\_ yours, why not ask another person to judge whose is better?  
(A) depending on (B) in conflict with (C) in comparison with (D) in touch with
- 29 The outstanding performance of the two world-class ballerinas was truly \_\_\_. They won thunderous applause.  
(A) a feast for the eyes (B) a thorn in the flesh (C) a pearl in the palm (D) a pie in the sky
- 30 George was very angry because his girlfriend \_\_\_. He waited for her in the rain for over an hour before leaving.  
(A) fixed him up (B) stood him up (C) made up with him (D) went steady with him
- 31 At the annual party, the Chief Executive Officer \_\_\_ three department supervisors and named them Leaders of the Year.  
(A) left out (B) knocked over (C) singled out (D) took over
- 32 Don't ask me. I just have no idea about \_\_\_.  
(A) whose car is this (B) whose car this is (C) this is whose car (D) whose this car is
- 33 How many of us would do the same thing \_\_\_?  
(A) supposed the chance gives us (B) only we were given the chance  
(C) if given the chance (D) by the chance given us
- 34 They promised to finish the work on time and \_\_\_.  
(A) so have they (B) so they did (C) so they have done (D) so they had done
- 35 \_\_\_, he simply found a way to discard it and avoid it entirely.  
(A) He was unable to solve the problem (B) Was unable to solve the problem  
(C) Be unable to solve the problem (D) Unable to solve the problem



- 36 Boss: You look run-down.  
Staff: I caught a bad cold last week. \_\_\_\_  
Boss: Well, do you want to take sick leave?  
Staff: I guess so. Even though I seem to be over the worst of it.  
Boss: Don't give the bug to anyone in the office.  
(A) Where are you leaving? (B) Running makes me tired.  
(C) Don't look down upon that man! (D) I've been feeling under the weather.
- 37 Joan: I've heard a lot about you recently. People say you designed a flawless project for your company.  
Bob: Well, \_\_\_\_. My coworkers gave me lots of wonderful advice.  
Joan: You are so humble!  
(A) you beat me (B) search me (C) I'm flattered (D) by all means
- 38 Wendy: What are you doing, Jenny?  
Jenny: Just surfing the Net. Did you know Levi's originally made jeans for workers?  
Wendy: \_\_\_\_ You mean the jeans we're wearing now?  
(A) Really? (B) Needless to say. (C) You are telling me. (D) No sweat.
- 39 Lilly: Poor Paul. He's been swamped with work these days.  
Kathy: \_\_\_\_.  
Lilly: Certainly. He needs a break to relieve his pressure.  
(A) He'd better not take the short cut. (B) No wonder he is always in good shape.  
(C) He really needs to have some time off. (D) He can't have his cake and eat it.
- 40 John: I am so confused. Pat wants to be my roommate.  
Mary: That's good, isn't it?  
John: Yeah, \_\_\_\_. People say that he snores a lot.  
Mary: Well, I guess you've really got a problem.  
(A) but it's too good to be true (B) but there is something that really bothers me  
(C) but everything starts well ends well (D) but there is something that makes me proud
- 41 Tim: I haven't seen you for ages.  
Tom: \_\_\_\_  
Tim: I wouldn't have, either, if someone had not mentioned your name.  
(A) You haven't changed very much. (B) I recognized you at first sight.  
(C) I didn't recognize you at first. (D) I hardly thought I would miss you so much.
- 42 Hairstylist: Hi, I am Christine. What can I do for you?  
Customer: I want to have a new hairstyle, but I don't want to change my hair too much.  
Hairstylist: \_\_\_\_  
Customer: That's a good idea.  
(A) OK. I will dye your hair bright green. (B) Don't worry. I will use a lot of conditioner.  
(C) I am really good at shaving heads. (D) Then I suggest trimming your hair a little.
- 43 John: How did your interview go?  
Peter: I didn't do a good job. I was too nervous.  
John: \_\_\_\_ Everyone is nervous in an interview.  
(A) Too bad. (B) Don't mention it.  
(C) Take it easy. (D) You must be kidding.

請依下文回答第 44 題至第 46 題。

A great deal of gender-role socialization takes place in the home. Fathers engage in 44 “rough-housing” play with their sons than with their daughters, even in infancy. As children grow, boys and girls are encouraged to play with different types of toys. 45 gender differences are found in toy preferences. In general, boys have less flexibility to play with “feminine” toys than girls 46 with “masculine” toys. Many studies have demonstrated the influence of gender-role socialization.

- 44 (A) the (B) much (C) more (D) very  
45 (A) Permissive (B) Impossible (C) Submissive (D) Substantial  
46 (A) do (B) are (C) have (D) can

請依下文回答第 47 題至第 50 題。

With cloning technology now available, we will need to consider if cloning is ethically acceptable. For example, is there any way to prevent the abuses of cloning without blocking beneficial medical and scientific progress? Human cloning research could bring about substantial health benefits, including the creation of animals with human-compatible organs for transplantation. Cloning could also be used to help scientists understand how genes are turned on and off, which could provide important information about the causes of cancer and the mechanism of aging.

Another issue is the use of cloning to treat infertility. Reproductive technology, once considered controversial, is now accepted by the public. Why not allow a woman who is unable to conceive naturally to clone a child by placing her own DNA inside of a donor egg?

Yet, what about our sense of identity and ancestry? Imagine giving birth to a clone of yourself—or your mother, father, or grandfather. Familial relationships could become increasingly complex. How can we prevent sinister applications of cloning, such as the creation of clones that would serve as slaves or a source of body parts? What effect will cloning have on theology? Is each human life unique? Would a clone have a soul? Finally, what will happen to clones that are failed experiments? Will they be disposed of like other experiments that have gone awry? These are just some of the issues that should be considered before a national policy on cloning is formulated.

- 47 What does the word “controversial” mean?  
(A) Disputable (B) Manageable (C) Plausible (D) Conventional
- 48 Which of the following statements is NOT an advantage of human cloning mentioned in this passage?  
(A) Human cloning can help scientists understand how genes work.  
(B) Human cloning can help improve organ transplantation.  
(C) Human cloning can help scientists find out how human beings get old.  
(D) Human cloning can bring dead people back to life.
- 49 According to this passage, which of the following is NOT a possible problem caused by human cloning?  
(A) Failed human clones may be thrown away.  
(B) Relationships among family members may be confusing.  
(C) Infertility will be very common.  
(D) Human clones may be used as a source of body parts.
- 50 Which of the following statements best states the main idea of the passage?  
(A) Human cloning research can improve reproductive technology and thus help infertile couples have kids.  
(B) With so many possible ethical problems, we should think twice before setting up a national policy on cloning.  
(C) The way to prevent the abuses of cloning may hinder beneficial medical and scientific progress.  
(D) Human cloning research should be stopped because it is not ethically acceptable.

# 測驗式試題標準答案

考試名稱：101年公務人員特種考試關務人員考試、101年公務人員特種考試移民行政人員考試及  
101年國軍上校以上軍官轉任公務人員考試

類科名稱：一般行政、資訊處理、機械工程、化學工程、電機工程、紡織工程

科目名稱：英文（試題代號：5201）

更多關務考試科目的歷屆題庫  
立即上網搜尋“關務考試歷屆考古題”  
高鋒公職補習班整理  
Line@帳號：@gaofeng  
連絡電話：07-236-7296

題數：50題

標準答案：

題號	01	02	03	04	05	06	07	08	09	10	11	12	13	14	15	16	17	18	19	20
答案	B	A	D	B	D	A	D	A	C	A	B	A	B	D	C	B	C	D	B	C

題號	21	22	23	24	25	26	27	28	29	30	31	32	33	34	35	36	37	38	39	40
答案	D	B	D	B	C	B	A	B	A	B	C	B	C	B	D	D	C	A	C	B

題號	41	42	43	44	45	46	47	48	49	50										
答案	C	D	C	C	D	A	A	D	C	B										

題號																				
答案																				

題號																				
答案																				

備註：

等 別：四等關務人員考試

類(科)別：各科別

科 目：法學知識（包括中華民國憲法、法學緒論）

考試時間：1 小時

更多關務考試科目的歷屆題庫  
立即上網搜尋“關務考試歷屆考古題”  
高鋒公職補習班整理  
Line@帳號：@gaofeng  
連絡電話：07-236-7296

座號：\_\_\_\_\_

※注意：(一)本試題為單一選擇題，請選出一個正確或最適當的答案，複選作答者，該題不予計分。  
(二)本科目共 50 題，每題 2 分，須用 2B 鉛筆在試卡上依題號清楚劃記，於本試題上作答者，不予計分。  
(三)禁止使用電子計算器。

- 依憲法及憲法增修條文規定，下列何者不屬於對「僑居國外之國民」特別應予保護或扶助獎勵之範圍？  
(A)經濟事業之發展 (B)教育事業成績優良者  
(C)土地之分配與整理 (D)政治參與
- 依憲法第 156 條規定，國家為奠定何種生存發展之基礎，應保護母性，並實施婦女、兒童福利政策？  
(A)宗教 (B)民族 (C)性別 (D)政黨
- 下列有關近代立憲主義憲法的內涵，何者錯誤？  
(A)規範國家權力機關或組織的相互關係 (B)確保人民權利與架構權力分立制度  
(C)必須是成文法典 (D)限制國家權力
- 憲法第 141 條規定，有關我國外交所應本之精神、原則、方式與外交目的之規範，一般學理上以下列何者稱之？  
(A)方針條款 (B)憲法委託條款 (C)制度性保障條款 (D)主觀公權利條款
- 以下對於中央與地方權限劃分之敘述，何者正確？  
(A)憲法係採取列舉式立法，列舉屬於中央之權限，其他之權限則歸地方  
(B)憲法僅採取概括式立法，凡事項有全國一致之性質者歸中央，其他因地制宜者歸地方  
(C)憲法係採取折衷式立法，先列舉中央權限，再列舉地方權限，以外再採取概括式立法  
(D)憲法完全未設規定
- 依司法院釋字第 525 號解釋，行政法規之修正與廢止，如有可能導致人民既有權利之損害，應訂定「過渡規則」，或予適當補償，此主要係基於以下何種憲法原則？  
(A)法律保留原則 (B)信賴保護原則 (C)租稅法律主義 (D)處罰法定原則
- 關於憲法上之大學自治保障，下列敘述，何者錯誤？  
(A)憲法第 11 條關於講學自由之規定，係對學術自由之制度性保障  
(B)國家對於大學自治之監督，應於法律規定範圍內為之，並須符合法律保留原則  
(C)大學課程如何訂定，屬學術之重要事項，為大學自治之範圍  
(D)講學自由應包含教師的研究自由、教學自由，但不包括學生的學習自由
- 依憲法第 145 條第 2 項規定，何種事業應受國家之獎勵與扶助？  
(A)資本事業 (B)合作事業 (C)交通事業 (D)高獲利事業
- 依憲法第 8 條人身自由保障之意旨，有權羈押犯罪嫌疑人之機關為下列何者？  
(A)司法警察機關 (B)檢察官 (C)法官 (D)總統
- 對人民之人身自由予以審問處罰，只能由下列何一國家機關為之？  
(A)警察 (B)法院 (C)最高檢察署特偵組 (D)監察院
- 人民因犯罪嫌疑被逮捕拘禁時，本人或他人得聲請該管法院於二十四小時內向逮捕機關：  
(A)起訴 (B)抗告 (C)提審 (D)訴願
- 憲法基本權利最初，也是最主要之功能在於：  
(A)防禦權功能 (B)分享請求權 (C)指示性規定 (D)制度性保障
- 依司法院解釋，人民服公職權利受憲法保障，公務員得對於下列何項措施，依法提起行政訴訟？  
(A)申誡處分 (B)記小過處分 (C)免職處分 (D)指派參加專業訓練

- 14 下列何者不是憲法第 23 條規定比例原則的要件之一？  
(A)目的正當性 (B)手段必要性 (C)限制妥當性 (D)授權明確性
- 15 依司法院釋字第 392 號解釋，憲法第 8 條第 2 項規定：「人民因犯罪嫌疑被逮捕拘禁時，其逮捕拘禁機關應將逮捕拘禁原因，以書面告知本人及其本人指定之親友，並至遲於二十四小時內移送該管法院審問。」下列何者敘述正確？  
(A)「二十四小時」之計算不包括因交通障礙而遲延之時間  
(B)「法院」包括地檢署在內  
(C)羈押不屬於逮捕拘禁之範圍  
(D)本項規定對於外國人並不適用
- 16 憲法第 49 條所云總統「不能視事」，下列何者即其示例？  
(A)辭職 (B)死亡 (C)被罷免 (D)出國考察
- 17 A 醫師未經病患同意，而洩漏公職候選人 B 的個人病患病歷資料，其乃侵犯 B 何種權利？  
(A)工作權 (B)言論自由 (C)人身自由 (D)隱私權
- 18 憲法前言所載制定之目的計有四句，其中何者亦見於總統就職之誓詞內容中？  
(A)鞏固國權 (B)保障民權 (C)奠定社會安寧 (D)增進人民福利
- 19 考試權之性質，在西方三權分立之架構下，實際上應屬於何種權力？  
(A)行政權 (B)立法權 (C)司法權 (D)監察權
- 20 依司法院釋字第 613 號解釋，行政院對國家通訊傳播委員會委員應有人事決定權，主要係基於下列何項憲政原則？  
(A)權力分立原則 (B)依法行政原則 (C)基本權保障原則 (D)國民主權原則
- 21 直轄市如何自治？  
(A)召集直轄市民代表大會，制定直轄市自治法  
(B)由行政、立法、司法、考試與監察五院院長組織委員會定之  
(C)行政院定之  
(D)以法律定之
- 22 立法院提出之總統、副總統彈劾案，由下列何機關審理？  
(A)監察院 (B)公務員懲戒委員會 (C)最高法院 (D)憲法法庭
- 23 下述何者並非監察院所得彈劾之對象？  
(A)立法委員 (B)監察委員 (C)考試委員 (D)縣市長
- 24 依憲法增修條文規定，目前臺灣省組織之現況，下列敘述，何者錯誤？  
(A)設有省政府與省諮議會 (B)省諮議會設有議員若干名  
(C)省諮議員由行政院院長提名 (D)省諮議員之提名，經立法院同意而由總統任命
- 25 依憲法增修條文第 10 條第 3 項規定，國家對於人民之何種事業應扶助並保護其生存與發展？  
(A)跨國事業 (B)民生基本事業 (C)中小型經濟事業 (D)外銷事業
- 26 依刑法規定，下列敘述，何者正確？  
(A)公務員對於職務上之行為收受賄賂者，不構成犯罪  
(B)公務員對於職務上之行為收受賄賂後，如於未經發覺前自首，即當然免除其刑  
(C)對於公務員關於違背職務之行為交付賄賂者，如於審判中自白，得減輕其刑  
(D)公務員就違背職務之行為收受賄賂者，該公務員得以所收受之賄賂抵銷被併科之罰金
- 27 依性別工作平等法規定，下列敘述，何者正確？  
(A)雇主與受僱者之約定，比性別工作平等法更有利於受僱者時，雇主得聲請法院撤銷之  
(B)受僱者執行職務時遭受性騷擾而受有損害者，雇主得舉證免責  
(C)雇主對求職者之招募及進用，不論情形為何，一律不得因求職者之性別而有差別待遇  
(D)女性受僱者依規定申請育嬰留職停薪時，如其配偶未就業，則雇主得一律予以拒絕

- 28 依刑法規定，下列敘述，何者正確？
- (A)我國國民甲如在美國殺人未遂，則不得依據我國刑法處罰甲  
(B)乙幫助丙犯罪，如丙不知乙幫助之情事，則乙不構成幫助犯  
(C)丁因細故殺人且分屍，則不論丁隱姓埋名且躲藏多久期間，均難逃刑法制裁  
(D)戊因犯罪被宣告褫奪公權 5 年，則戊於該期間內既不得擔任公務員，亦不得競選民意代表
- 29 甲公司與海關人員乙約定，如乙就甲公司進口之物品違法免課關稅，甲公司將先贈送乙「前金」10 萬元，待甲公司出售該物品後，再贈送乙「後酬」20 萬元。乙收受甲公司之 10 萬元後，依照雙方約定，違法免課關稅，甲亦已出售該物品於他人。試問：下列敘述，何者正確？
- (A)甲、乙關於前金及後酬之約定均無效  
(B)甲得請求乙返還前金 10 萬元  
(C)乙得請求甲給付後酬 20 萬元  
(D)甲得撤銷雙方之約定
- 30 依現行民法規定，下列敘述，何者錯誤？
- (A)男女雙方舉辦婚禮後，未向戶政機關為結婚之登記者，其婚姻無效。女方嗣後雖已懷胎或生子，亦同  
(B)繼承人拋棄繼承者，雖不負擔被繼承人遺留之債務，但亦不得取得繼承人遺留之財產  
(C)不動產買賣，非經當事人訂立書面契約，縱當事人已經口頭合意，亦不生效力  
(D)債務人向債權人借款，得由第三人提供房屋設定抵押權擔保該債權
- 31 甲在乙大賣場購買丙廠商進口之外國原裝除濕機一台，不久，該除濕機在甲正常使用中，突然自行起火燃燒，導致甲之傢俱燒毀。依「消費者保護法」規定，下列敘述，何者正確？
- (A)甲就其所受損害，雖不能證明乙或丙有過失，亦得請求賠償  
(B)乙縱然證明其就本件除濕機之起火燃燒無過失，仍不得全部免責  
(C)丙證明其就本件除濕機之起火燃燒無過失者，即得全部免責  
(D)甲證明乙或丙就本件除濕機之起火燃燒有過失者，得請求實際損害額 10 倍之賠償
- 32 關於公司，下列敘述，何者錯誤？
- (A)公司為以營利為目的之社團法人  
(B)有限公司之資產不足以清償其債務時，由股東負連帶清償責任  
(C)股份有限公司之董事，應經股東會許可，始得為他人為屬於公司營業範圍內之行爲  
(D)公司負責人違反規定以公司名義訂立保證契約時，應自負保證責任
- 33 甲生前自己以電腦打字方式製作遺囑，並將其列印出來後親自簽名，密封入一個信封，但並未告知他人。甲死亡後其家人始發現此遺囑。請問此遺囑於法律上屬於何種性質之遺囑？
- (A)自書遺囑  
(B)密封遺囑  
(C)代筆遺囑  
(D)無效遺囑
- 34 甲死亡時有配偶乙、母丙、兄丁、妹戊、子 A、女 B 及孫子女 C、D，此外別無其他親屬。甲死亡時留下遺產 120 萬元，並未留下遺囑。請問依民法規定，甲之遺產將如何分配？
- (A)A、B 各 60 萬元  
(B)乙、A、B 各 40 萬元  
(C)乙、丙、A、B 各 30 萬元  
(D)乙、丙、丁、戊、A、B、C、D 各 15 萬元
- 35 有關民法第 1 條所稱之「習慣」，下列敘述，何者正確？
- (A)必須法官對其有相當於法之確信  
(B)必須以道德規範為基礎  
(C)必須有反覆慣行之事實  
(D)必須立法機關予以承認
- 36 土地徵收條例之施行，係由下列何者所公布？
- (A)行政院  
(B)司法院  
(C)內政部  
(D)總統
- 37 有關行政訴訟法之敘述，下列何者錯誤？
- (A)屬於國內法而非國際法  
(B)屬於行政機關發布之命令  
(C)屬於程序法而非實體法  
(D)屬於公法而非私法

- 38 下列法令，何者依中央法規標準法規定係屬於命令性質？  
(A)地方稅法通則 (B)兒童及少年性交易防制條例  
(C)法院組織法 (D)條約及協定處理準則
- 39 針對人民依國有林地濫墾地補辦清理作業要點申請訂立租地契約遭否准，其爭議應由何種法院審判，司法院對此於民國 100 年 12 月 30 日作出釋字第 695 號解釋以為闡明，此乃是憲法賦予司法院何種職權的表現？  
(A)統一解釋法令 (B)解釋憲法 (C)解釋法令 (D)行政訴訟之審判
- 40 下列何者不得作為限制一般人民權利或課予一般人民義務之法源？  
(A)社會秩序維護法 (B)地方稅法通則 (C)人體器官移植條例 (D)行動通信業務管理規則
- 41 下列何者不需要以法律定之？  
(A)兵役之役期 (B)電力之電費 (C)結婚之年齡限制 (D)營業稅之稅率
- 42 某地方法院因為空間不足而向民眾承租房屋，後來與該民眾因租賃契約及賠償費用問題發生訴訟，此時應由下列何者審理？  
(A)行政法院 (B)司法院 (C)行政院 (D)普通法院
- 43 民法與勞動基準法就僱傭契約有關事項均有規定時，應如何適用？  
(A)民法優先適用 (B)勞動基準法優先適用  
(C)由主管機關決定何者優先適用 (D)依勞動基準法施行細則決定何者優先適用
- 44 關於「依法行政」的概念，下列敘述，何者錯誤？  
(A)凡是沒有法令依據的事項，公務員一律不可以做  
(B)公務員之行政行為，不得牴觸法律  
(C)關於人民權利義務之重大事項，必須保留由法律規定  
(D)行政機關訂定之命令，不得牴觸法律
- 45 有關家庭暴力防治法之規定，下列敘述，何者錯誤？  
(A)被前配偶毆打，屬於家庭暴力防治法之規範範圍  
(B)未結婚但有同居關係之男女朋友間的暴力行為，屬於家庭暴力防治法之規範範圍  
(C)婆婆虐待媳婦之暴力行為，屬於家庭暴力防治法之規範範圍  
(D)於離婚後子女監護事件中，一律不得由家庭暴力之加害人行使負擔對於未成年子女之權利義務
- 46 下列何者為普通法與特別法的關係？  
(A)民事訴訟法與家事事件法 (B)公司法與票據法  
(C)破產法與訴願法 (D)商標法與證券交易法
- 47 民國 100 年 12 月 28 日總統公布的「人體研究法」，其附則規定「本法自公布日施行」，請問該法從那一天開始生效？  
(A)民國 100 年 12 月 28 日 (B)民國 100 年 12 月 29 日  
(C)民國 100 年 12 月 30 日 (D)民國 100 年 12 月 31 日
- 48 「法官法」是由下列那一個機關制定的？  
(A)司法院 (B)立法院 (C)監察院 (D)考試院
- 49 下列何者不是憲法所稱的「法律」？  
(A)人體生物資料庫管理條例 (B)農田水利會組織通則  
(C)山坡地建築管理辦法 (D)法官法
- 50 有關刑法保安處分的種類，何者不適用於本國人？  
(A)保護管束處分 (B)驅逐出境處分 (C)強制工作處分 (D)監護處分



# 測驗式試題標準答案

考試名稱：101年公務人員特種考試關務人員考試、101年公務人員特種考試移民行政人員考試及  
101年國軍上校以上軍官轉任公務人員考試

類科名稱：資訊處理、紡織工程、一般行政、機械工程、化學工程、電機工程

科目名稱：法學知識（包括中華民國憲法、法學緒論）（試題代號：4201）

題數：50題

標準答案：

題號	01	02	03	04	05	06	07	08	09	10	11	12	13	14	15	16	17	18	19	20
答案	C	B	C	A	C	B	D	B	C	B	C	A	C	D	A	D	D	D	A	A

題號	21	22	23	24	25	26	27	28	29	30	31	32	33	34	35	36	37	38	39	40
答案	D	D	A	D	C	C	B	D	A	C	A	B	D	B	C	D	B	D	A	D

題號	41	42	43	44	45	46	47	48	49	50	更多關務考試科目的歷屆題庫 立即上網搜尋“關務考試歷屆考古題” 高鋒公職補習班整理 Line@帳號：@gaofeng 連絡電話：07-236-7296								
答案	B	D	B	A	D	A	C	B	C	B									

題號																					
答案																					

題號																					
答案																					

備註：

101年公務人員特種考試關務人員考試、101年公務人員特種考試  
移民行政人員考試及101年國軍上校以上軍官轉任公務人員考試試題

代號：20330 全一頁

等 別：四等關務人員考試

類(科)別：機械工程

科 目：機械力學概要

考試時間：1 小時 30 分

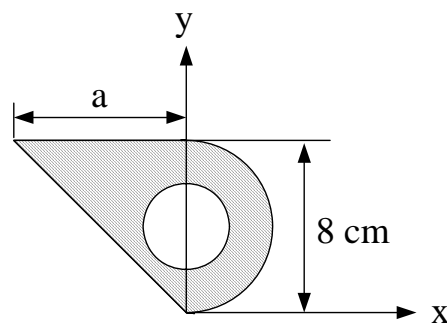
更多關務考試科目的歷屆題庫  
立即上網搜尋“關務考試歷屆考古題”  
高鋒公職補習班整理  
Line@帳號：@gaofeng  
連絡電話：07-236-7296

座號：\_\_\_\_\_

※注意：(一)可以使用電子計算器。

(二)不必抄題，作答時請將試題題號及答案依照順序寫在試卷上，於本試題上作答者，不予計分。

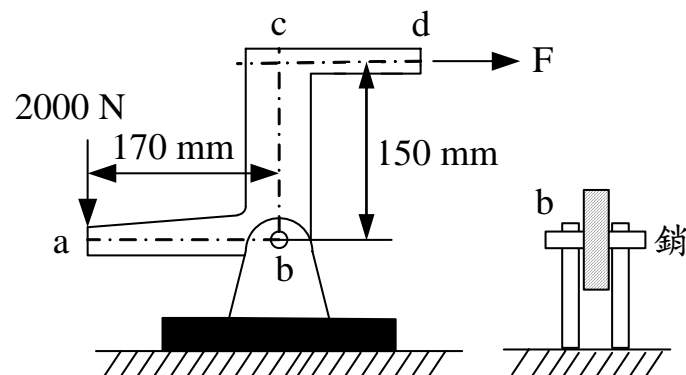
一、如圖一所示，內部圓形之半徑為 2 cm，如斜線面積之重心在 y 軸上，試求 a 之長度？  
(20 分)



圖一

二、一立方體體積  $3000 \text{ cm}^3$  丟入水中，若水壓為 600 MPa，立方體材料之蒲松比 (Poisson's ratio) 為 0.25，彈性係數 (modulus of elasticity) 為 250 GPa，試求三軸向應變各為多少？體積應變為多少？變形後的體積為多少？(20 分)

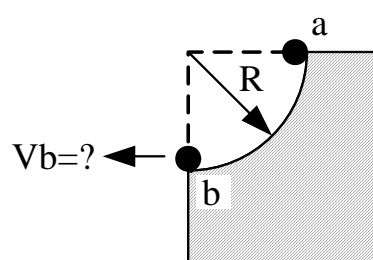
三、如圖二所示，ab 長度為 170 mm，bc 長度為 150 mm，在 a 端施加一垂直向下之力量 2000 N，在 d 端則有一水平力 F 以保持平衡，b 銷裝置如圖二之右邊小圖，b 銷直徑為 6 mm，試求 b 銷所受之平均剪應力為多少？(20 分)



圖二

四、一飛輪的轉速在 10 秒內由 3600 rpm 均勻減至 2400 rpm，試求其角減速度？10 秒內飛輪轉了多少轉？假若要使飛輪完全停止，尚需要多少時間？(20 分)

五、如圖三所示，若接觸面為光滑面，一物體由 a 靜止滑至 b 處，試求  $V_b$  為若干？  
(20 分)



圖三

101年公務人員特種考試關務人員考試、101年公務人員特種考試  
移民行政人員考試及101年國軍上校以上軍官轉任公務人員考試試題

代號：20320 全一頁

等 別：四等關務人員考試

類(科)別：機械工程

科 目：機械原理概要

考試時間：1小時30分

更多關務考試科目的歷屆題庫  
立即上網搜尋“關務考試歷屆考古題”  
高鋒公職補習班整理  
Line@帳號：@gaofeng  
連絡電話：07-236-7296

座號：\_\_\_\_\_

※注意：(一)禁止使用電子計算器。

(二)不必抄題，作答時請將試題題號及答案依照順序寫在試卷上，於本試題上作答者，不予計分。

- 一、試說明使用鏈條 (chain) 傳動之三項優點及三項缺點。(15分)
- 二、使用漸開線 (involute) 齒形作為齒輪時，試詳述傳動之優點三項及缺點一項，又請說明二漸開線齒輪互相嚙合傳動之必要條件為何？(15分)
- 三、有一實心鋼製圓形長軸 (直徑為  $d$  mm)，其允許強度為  $S$   $\text{N/m}^2$ ，軸由間距  $L$  mm 之二軸承支撐，已知軸所受最大彎矩為  $M$   $\text{N}\cdot\text{m}$ ，若只考慮彎曲正應力，而不計入剪應力，試求本設計的安全係數 (factor of safety)  $N$  為何？(20分)
- 四、有一長方形截面之橫樑，其一端被二支螺栓，另一端被另二支螺栓固定於直立柱上，此一橫樑及二直立柱構成一 H 字形。若橫樑中央位置承受一集中力  $W$ ，該施力是與立柱平行的，二支螺栓以間距  $2b$  置於樑的長度方向中心線上，假設直立柱是固定的剛體，施力點至二支螺栓中心位置距離為  $d$ ，試說明其中任一螺栓承受的剪力有那二類？並計算該二類剪力與最大剪力？(25分)
- 五、有一軸方向負荷的螺旋彈簧 (helical spring)，其彈簧線 (spring wire) 的直徑是  $2r$ ，螺旋的平均直徑是  $2R$ ，若軸向壓縮力是  $F$ ，試問彈簧線所受應力包括那二類？又試求最大應力？(25分)

100年公務人員特種考試海岸巡防人員考試、100年公務人員特種考試關務人員考試、100年公務人員特種考試稅務人員考試、100年特種考試退除役軍人轉任公務人員考試及100年國軍上校以上軍官轉任公務人員考試試題

34110-34810 全一張  
代號：64110-64510 (正面)  
84110

等 別：四等關務人員考試、四等稅務人員考試、四等退除役軍人轉任考試

類(科)別：各科別、各類科

科 目：國文(作文、公文與測驗)

考試時間：2小時

座號：\_\_\_\_\_

※注意：禁止使用電子計算器。

更多關務考試科目的歷屆題庫  
立即上網搜尋“關務考試歷屆考古題”  
高鋒公職補習班整理  
Line@帳號：@gaofeng  
連絡電話：07-236-7296

### 甲、作文與公文部分：

- (一)請以藍、黑色鋼筆或原子筆在申論試卷上由左至右橫式作答，於本試題上作答者，不予計分。  
(二)不得於試卷上書寫姓名或入場證號。

#### 一、作文：(60分)

臺灣四面環海，海洋和我們的生活息息相關，試以「海洋」為題，抒寫自己對海洋的觀察、了解，以及從中得到的啟發。

#### 二、公文：(20分)

臺灣已邁入高齡化社會，政府正積極推行各種老人福利政策，尤其關注獨居老人的生活照料。試擬新北市政府致各區公所函：針對轄內獨居老人之醫病照顧與生活安頓，研擬具體可行辦法，報府核定。

### 乙、測驗部分：(20分)

代號：1401

- (一)本測驗試題為單一選擇題，請選出一個正確或最適當的答案，複選作答者，該題不予計分。  
(二)共10題，每題2分，須用2B鉛筆在試卡上依題號清楚劃記，於本試題或申論試卷上作答者，不予計分。

閱讀下文，回答第1.題至第2.題

司馬相如初與卓文君還成都，居貧愁懣，以所著鸕鶿裘就市人陽昌買酒，與文君為懽。既而文君抱頸而泣曰：「我平生富足，今乃以衣裘買酒。」遂相與謀於成都賣酒。相如親著犢鼻褌滌器，以恥王孫。王孫果以為病，乃厚給文君，文君遂為富人。文君姣好，眉色如望遠山，臉際常若芙蓉，肌膚柔滑如脂。十七而寡，為人放誕風流，故悅長卿之才而越禮焉。長卿素有消渴疾，及還成都，悅文君之色，遂以發痼疾。乃作〈美人賦〉，欲以自刺，而終不能改，卒以此疾至死。文君為誄，傳於世。(《西京雜記》)

1. 由本文看來，下列敘述何者錯誤？

- (A) 司馬相如是因為迷戀卓文君的美色，才染上了消渴疾  
(B) 文君是因為司馬相如的才華而愛上他，進而與他越禮私奔  
(C) 文君與司馬相如結合之初，卓王孫家雖頗為富裕，卻不願資助他們  
(D) 文君與司馬相如在成都賣酒，是故意為了讓卓王孫丟臉，卓王孫只好資助他們

2. 從此文看來，司馬相如作〈美人賦〉的目的是什麼？

- (A) 對罹患消渴疾一事自我解嘲  
(B) 警惕自己，切莫過度沉迷於美色  
(C) 檢討自己與文君相戀過程的荒唐行為  
(D) 刺激自己別忘了與文君相戀之初的濃情蜜意

(請接背面)



100年公務人員特種考試海岸巡防人員考試、100年公務人員特種考試關務人員考試、100年公務人員特種考試稅務人員考試、100年特種考試退除役軍人轉任公務人員考試及100年國軍上校以上軍官轉任公務人員考試試題

34110-34810 全一張  
代號：64110-64510 (背面)  
84110

等 別：四等關務人員考試、四等稅務人員考試、四等退除役軍人轉任考試

類(科)別：各科別、各類科

科 目：國文(作文、公文與測驗)

閱讀下文，回答第3.題至第4.題

暮投石壕村，有吏夜捉人。老翁逾牆走，老婦出門看。吏呼一何怒，婦啼一何苦。聽婦前致詞：三男鄴城戍。一男附書至，二男新戰死。存者且偷生，死者長已矣。室中更無人，惟有乳下孫。有孫母未去，出入無完裙。老嫗力雖衰，請從吏夜歸。急應河陽役，猶得備晨炊。夜久語聲絕，如聞泣幽咽。天明登前途，獨與老翁別。(唐·杜甫〈石壕吏〉)

3. 本詩之主旨為：

(A) 差吏之橫行霸道 (B) 老翁之苟且偷生 (C) 老婦之犧牲奉獻 (D) 戰爭之殘酷悲慘

4. 此詩之時代背景應為：

(A) 七國之亂 (B) 黃巢之亂 (C) 黃巾之亂 (D) 安史之亂

5. 韓愈〈祭十二郎文〉說：「季父愈聞汝喪之七日，乃能銜哀致誠，使建中遠具時羞之奠。」假使你是建中，為韓愈代辦輓聯，下列選項何者最為合適？

(A) 九萬里志士勞民之淚，四十年胼手胝足之功  
(B) 手足悲值風雨夕，國家憂慟脊令原  
(C) 痛吟〈薤露〉忝居父執，忍讀〈蒿里〉敬挽幽魂  
(D) 文壇諍友共尊達德，慧星殞身慟失宗師

6. 下列「」中成語的解釋，何者完全正確？

(A) 「鮮車怒馬」、「列鼎而食」：形容富裕顯達  
(B) 「橘化為枳」、「囫圇吞棗」：形容讀書不深入  
(C) 「韋編三絕」、「一暴十寒」：形容缺乏恆心  
(D) 「吐哺握髮」、「烏鳥私情」：形容兒女孝侍父母

7. 以下各選項「」內之字義，與其他三者明顯不同的是：

(A) 太守即遣人隨其往，尋「向」所誌  
(B) 常人貴遠賤近，「向」聲背實  
(C) 淒淒不似「向」前聲，滿座重聞皆掩泣  
(D) 子猷、子重多說俗事，子敬寒溫而已，坐客問謝公曰：「向」三賢孰勝

8. 蘇軾詞風以豪放為主，但其中亦不乏情韻綿邈之作。下列那一選項即屬於情感綿密、充滿思念的詞作：

(A) 莫聽穿林打葉聲。何妨吟嘯且徐行。竹杖芒鞋輕勝馬。誰怕。一蓑煙雨任平生 (〈定風波〉)  
(B) 老夫聊發少年狂，左牽黃，右擎蒼。錦帽貂裘，千騎卷平岡。欲報傾城隨太守，親射虎，看孫郎。酒酣胸膽尚開張，鬢微霜，又何妨！持節雲中，何日遣馮唐？會挽雕弓如滿月，西北望，射天狼 (〈江城子〉)  
(C) 十年生死兩茫茫。不思量，自難忘。千里孤墳，無處話淒涼。縱使相逢應不識，塵滿面，鬢如霜。夜來幽夢忽還鄉。小軒窗，正梳妝。相顧無言，惟有淚千行。料得年年腸斷處，明月夜，短松岡 (〈江城子〉)  
(D) 遙想公瑾當年，小喬初嫁了，雄姿英發。羽扇綸巾，談笑間、強虜灰飛煙滅。故國神游，多情應笑我，早生華髮。人生如夢，一尊還酹江月 (〈念奴嬌〉)

9. 將兩種不同的，特別是相反的觀念或事實，並列起來，兩相比較，從而使語氣增強、意義明顯的修辭法，叫做「映襯」。如：「從前種種，譬如昨日死；以後種種，譬如今日生。」下列何者也是如此用法？

(A) 情人的血特別紅，可以染冰島成玫瑰 (B) 得之於人者太多，出之於己者太少  
(C) 明月松間照，清泉石上流 (D) 欲窮千里目，更上一層樓

10. 「君無術則弊於上，臣無法則亂於下，此不可一無，皆帝王之具也。」「堯為匹夫不能治三人，而桀為天子能亂天下，吾以此知勢位之足恃，而賢智之不足慕也。」上述言論，應屬那家的思想？

(A) 儒家 (B) 墨家 (C) 道家 (D) 法家

# 測驗式試題標準答案

100年公務人員特種考試海岸巡防人員考試、公務人員特種考試關務人員考試、公務人員考試名稱：特種考試稅務人員考試、特種考試退除役軍人轉任公務人員考試及國軍上校以上軍官轉任公務人員考試

類科名稱：關稅統計、資訊處理、機械工程、電機工程、化學工程、紡織工程、一般行政、關稅會計、財稅行政(高雄市)、財稅行政(臺灣省南區)、財稅行政(臺北市)、財稅行政(臺灣省北區)、財稅行政(臺灣省中區)

科目名稱：國文（作文、公文與測驗）（試題代號：1401）

更多關務考試科目的歷屆題庫  
 立即上網搜尋“關務考試歷屆考古題”  
 高鋒公職補習班整理  
 Line@帳號：@gaofeng  
 連絡電話：07-236-7296

題數：10題

標準答案：

題號	01	02	03	04	05	06	07	08	09	10										
答案	A	B	D	D	C	A	B	C	B	D										

題號																				
答案																				

題號																				
答案																				

題號																				
答案																				

題號																				
答案																				

備註：



100年公務人員特種考試海岸巡防人員考試、100年公務人員特種考試關務人員考試、100年公務人員特種考試稅務人員考試、100年特種考試退除役軍人轉任公務人員考試及100年國軍上校以上軍官轉任公務人員考試試題

等 別：四等關務人員考試  
類(科)別：各科別  
科 目：英文  
考試時間：1 小時

更多關務考試科目的歷屆題庫  
立即上網搜尋“關務考試歷屆考古題”  
高鋒公職補習班整理  
Line@帳號：@gaofeng  
連絡電話：07-236-7296

座號：\_\_\_\_\_

※注意：(一)本試題為單一選擇題，請選出一個正確或最適當的答案，複選作答者，該題不予計分。  
(二)本科目共 50 題，每題 2 分，須用 2B 鉛筆在試卡上依題號清楚劃記，於本試題上作答者，不予計分。  
(三)禁止使用電子計算器。

- 1 Those angry peasants held a sit-in \_\_\_\_\_ make their protests against the new policy.  
(A) so as to (B) with a view to (C) according to (D) owing to
- 2 The MRT system has greatly \_\_\_\_\_ this area; I can't even recognize the location of my old school.  
(A) captured (B) situated (C) succeeded (D) transformed
- 3 Linda is an \_\_\_\_\_ friend of mine; there is no secret between us, and we always share our happiness and sorrow.  
(A) intimate (B) intermediate (C) internal (D) intense
- 4 Do not forget your ticket! Only ticket-holders will be \_\_\_\_\_ to the concert.  
(A) submitted (B) admitted (C) committed (D) transmitted
- 5 The main thing that makes mobile phones \_\_\_\_\_ harmful is radiation.  
(A) politely (B) privately (C) passively (D) potentially
- 6 The deadline is Friday, so we had better \_\_\_\_\_ the report as soon as possible.  
(A) hand in (B) put out (C) drop by (D) look up
- 7 Since the typhoon, the basement has been filled with water. We have to \_\_\_\_\_ it as soon as possible. Otherwise, waterborne diseases might spread.  
(A) reserve (B) drain (C) drift (D) resist
- 8 It is reported that there's \_\_\_\_\_ tension between the refugees and the local population in Pakistan.  
(A) terminal (B) trembling (C) timid (D) tremendous
- 9 You should live within your income. Otherwise, you won't be able to earn enough money to \_\_\_\_\_.  
(A) break the ice (B) cut corners (C) hunt for bargains (D) make ends meet
- 10 Our teacher always tells us that knowledge should be \_\_\_\_\_ through years, not gained in one day.  
(A) accumulated (B) confronted (C) manipulated (D) stimulated
- 11 My sister knows many passages from Shakespeare \_\_\_\_\_; she can memorize the details of his plays.  
(A) as a rule (B) by heart (C) in vain (D) on purpose
- 12 As he had grown up in the country, he was not \_\_\_\_\_ to the fast pace of the city life when he first moved to Taipei.  
(A) accustomed (B) addicted (C) amiable (D) ambitious
- 13 The police have suspected him of involvement in the suicide bombing but there is no \_\_\_\_\_ evidence to arrest him.  
(A) elastic (B) capable (C) multiple (D) sufficient
- 14 Sherlock Holmes \_\_\_\_\_ smoke in the air and assumed the killer had not left for too long.  
(A) detected (B) protected (C) deterred (D) defined
- 15 The president's reckless actions have \_\_\_\_\_ his country into a disaster.  
(A) resumed (B) plunged (C) persuaded (D) restored

- 16 The president of the United States can only serve two \_\_\_\_\_ of four years each.  
(A) semesters (B) decades (C) periods (D) terms
- 17 When the orange trees \_\_\_\_\_, there is a sweet fragrance in the air.  
(A) blossom (B) wither (C) drop (D) sprout
- 18 Many people want to do some sports, but there are not enough \_\_\_\_\_ in the city.  
(A) faculties (B) factories (C) fortresses (D) facilities
- 19 Library users will be fined for returning books after the \_\_\_\_\_ date.  
(A) client (B) due (C) fare (D) loan
- 20 According to our justice system, the suspect will be considered \_\_\_\_\_ until proven guilty.  
(A) afflicted (B) harmful (C) innocent (D) lucrative
- 21 The label on the canned pork says this product is \_\_\_\_\_ to be free of preservatives.  
(A) displayed (B) criticized (C) guaranteed (D) illustrated
- 22 Modern people tend to value material enjoyment too much and ignore \_\_\_\_\_ pursuit.  
(A) spiritual (B) feeble (C) unilateral (D) worldly
- 23 After many years of moving, Daniel finally found a \_\_\_\_\_ home in the Dublin suburbs.  
(A) permanent (B) fragile (C) mutual (D) drastic
- 24 The police arrested the suspect, but in the absence of \_\_\_\_\_ he was set free soon.  
(A) patience (B) allowance (C) evidence (D) presence
- 25 He hurt his leg while climbing the mountain; \_\_\_\_\_, he would have participated in the charity event to raise money for the poor.  
(A) undoubtedly (B) consequently (C) nevertheless (D) otherwise
- 26 The farmer put a lot of \_\_\_\_\_ on his rice field, hoping that the crops may flourish.  
(A) promotion (B) fertilizer (C) detergent (D) stimulation
- 27 The government should take measures to control the growing \_\_\_\_\_. Food prices have gone up sharply recently.  
(A) inflation (B) innovation (C) institution (D) implication
- 28 Before you fly, please be sure to read the list of items \_\_\_\_\_ from being carried onto the plane. You must not bring any of these items to the security checkpoints.  
(A) protected (B) prohibited (C) prescribed (D) prosecuted
- 29 The audience enthusiastically \_\_\_\_\_ the pianist on her amazing performance.  
(A) complimented (B) complemented (C) completed (D) comprised
- 30 I can't ride my bicycle \_\_\_\_\_ there isn't any air in one of the tires.  
(A) despite (B) although (C) because (D) unless
- 31 \_\_\_\_\_ the cockroach when she screamed and stomped her feet furiously.  
(A) No sooner had Jenny seen (B) As soon as Jenny saw  
(C) On Jenny's seeing (D) Jenny had hardly seen
- 32 There are elegant shops on \_\_\_\_\_ side of the street.  
(A) any (B) both (C) either (D) every
- 33 Could you please tell me \_\_\_\_\_?  
(A) where the concert will take place (B) when was soccer first played  
(C) why are otters suitable to live in the water (D) what can I do to help conserve water
- 34 Although the farmers had to work in the mud, they were all pleased, \_\_\_\_\_ the rain had come in the nick of time.  
(A) saying (B) say (C) said (D) to say

- 35 He is a very conscientious professor. Never \_\_\_\_\_ he let his students leave his classes earlier.  
(A) is (B) ever (C) less (D) will
- 36 It didn't take us long to get here because there \_\_\_\_\_ traffic.  
(A) was few (B) was little (C) had few (D) had little
- 37 Among the things that money cannot buy \_\_\_\_\_ good health in the mind and body.  
(A) is (B) has (C) are (D) have

Color is used symbolically in all cultures and it plays an important role in ceremonies and festivities. Yellow is a symbol of luck in Peru and it can be seen just about everywhere during New Year celebrations—in flowers, clothing, and decorations. Some Peruvians say, “38 around you, the luckier you will be in the new year.” Yellow is also an important color to the Vietnamese, who use it at weddings and also on their flag, 39 it represents courage, victory, and sacrifice. In many cultures, white symbolizes purity, which is 40 brides often wear white wedding gowns. Black, 41, symbolizes death, and it is often the color people wear to funerals.

- 38 (A) The more yellow you have (B) The more you have yellow  
(C) You have more yellow (D) You have the most yellow
- 39 (A) which (B) where (C) that (D) when
- 40 (A) how (B) that (C) what (D) why
- 41 (A) on the other hand (B) for example (C) as a result (D) not to mention
- 42 Man: I'd like one ticket to Cambridge.  
Clerk: \_\_\_\_\_ The train leaves in just a few minutes.  
Man: I have to wait for my friend. When is the next train, then?  
(A) You'd better hurry. (B) In a minute. (C) Sooner or later. (D) You have my word.
- 43 Patty: Do you like to play baseball?  
Alice: \_\_\_\_\_, but I like to watch the Yankees play.  
Patty: Me too.  
(A) For sure (B) At any rate (C) Nothing doing (D) Not really
- 44 Ben: Would you help me with my homework if I give you my baseball cards?  
Jim: \_\_\_\_\_  
Ben: OK. Let's start now.  
(A) It depends. (B) It's a deal. (C) It doesn't matter. (D) It's out of the question.
- 45 A: Good afternoon, ma'am. \_\_\_\_\_  
B: No. Can you help me, please?  
A: Yes, ma'am. What are you looking for?  
B: I'd like to buy a purse.  
(A) What can I do for you? (B) Have you been waited on?  
(C) Are you waiting for me? (D) Would you like anything else?
- 46 Husband: Let's see a movie tonight.  
Wife: What do you want to see? \_\_\_\_\_  
Husband: Just check in the newspaper.  
(A) You must have bored yourself. (B) Are you going bananas?  
(C) I don't even know what's on. (D) Did our TV break down again?

As you are gathering love letters from your admirers this Valentine’s Day, wouldn’t it be nice to know if that special sweetie is Mr. or Ms. Right? While it’s not scientific, Graphology—also called handwriting analysis—can provide useful clues about your admirer’s personality.

Ideally, handwriting analysis should be performed on an unlined page of original writing. When studying a sample, the first characteristic a graphologist considers is the writer’s use of space.

Take the margins for example. The right symbolizes the future and the left represents the past—even in cultures whose writing moves from right to left. In graphology, leaving a narrow right margin suggests a risk-taking person who is unafraid of the future, whereas leaving a narrow left margin implies someone very tied to the past, even fearful of moving on.

The space between lines represents the distance the writer places between himself—or herself—and others. Thus, people who leave relatively little space between words require others’ company while those who leave more space may be hard to get close to. People who leave little space between lines need to get involved: they tend to be big “joiners,” and may get bogged down in the details of a situation. By contrast, writers who leave more space between lines are usually independent and better at grasping the “big picture.”

While these are generally accepted concepts of graphology, no single characteristic in writing is significant by itself. You have to look at handwriting in context.

- 47 What does the phrase “bogged down” mean in the fourth paragraph?
- (A) Involved rationally      (B) Became excited      (C) Got stuck      (D) Engaged positively
- 48 Based on the article, what kind of people do NOT like things to change?
- (A) People who leave a narrow left margin.      (B) People who leave a narrow right margin.  
(C) People who leave little space between lines.      (D) People who leave more space between lines.
- 49 Which of the following statements is NOT true about graphology?
- (A) It focuses much on the writers’ use of space.  
(B) It should be performed on a photocopied writing.  
(C) It provides hints for deciphering one’s handwriting.  
(D) It is applicable to writings that move from right to left.
- 50 What do people who leave more space between lines like?
- (A) They love thrilling adventures.      (B) They like to throw big parties.  
(C) They are fond of being involved.      (D) They enjoy doing things on their own.

# 測驗式試題標準答案

100年公務人員特種考試海岸巡防人員考試、公務人員特種考試關務人員考試、公務人員考試名稱：特種考試稅務人員考試、特種考試退除役軍人轉任公務人員考試及國軍上校以上軍官轉任公務人員考試

類科名稱：各類科

科目名稱：英文（試題代號：5401）

題數：50題

標準答案：

更多關務考試科目的歷屆題庫  
 立即上網搜尋“關務考試歷屆考古題”  
 高鋒公職補習班整理  
 Line@帳號：@gaofeng  
 連絡電話：07-236-7296

題號	01	02	03	04	05	06	07	08	09	10	11	12	13	14	15	16	17	18	19	20
答案	A	D	A	B	D	A	B	D	D	A	B	A	D	A	B	D	A	D	B	C

題號	21	22	23	24	25	26	27	28	29	30	31	32	33	34	35	36	37	38	39	40
答案	C	A	A	C	D	B	A	B	A	C	D	C	A	A	D	B	A	A	B	D

題號	41	42	43	44	45	46	47	48	49	50										
答案	A	A	D	B	B	C	C	A	B	D										

題號																				
答案																				

題號																				
答案																				

備註：

100年公務人員特種考試海岸巡防人員考試、100年公務人員特種考試關務人員考試、100年公務人員特種考試稅務人員考試、100年特種考試退除役軍人轉任公務人員考試及100年國軍上校以上軍官轉任公務人員考試試題

等 別：四等關務人員考試

類(科)別：各科別

科 目：法學知識（包括中華民國憲法、法學緒論）

考試時間：1 小時

更多關務考試科目的歷屆題庫  
立即上網搜尋“關務考試歷屆考古題”  
高鋒公職補習班整理  
Line@帳號：@gaofeng  
連絡電話：07-236-7296

座號：\_\_\_\_\_

※注意：(一)本試題為單一選擇題，請選出一個正確或最適當的答案，複選作答者，該題不予計分。  
(二)本科目共 50 題，每題 2 分，須用 2B 鉛筆在試卡上依題號清楚劃記，於本試題上作答者，不予計分。  
(三)禁止使用電子計算器。

- 1 憲法第 138 條規定：「全國陸海空軍，須超出個人、地域及黨派關係以外，效忠國家，愛護人民。」旨在確保：  
(A)軍令一元化 (B)文武分治化 (C)軍事獨立化 (D)軍隊國家化
- 2 依憲法前言，針對中華民國憲法「頒行全國，永矢咸遵」意義之說明，下列何者是正確的？  
(A)中華民國憲法是國內法 (B)中華民國憲法是國際慣例法  
(C)中華民國憲法是限時法 (D)中華民國憲法是地方法
- 3 下列何者規定在憲法第一章總綱當中？  
(A)國旗 (B)國歌 (C)國花 (D)國徽
- 4 下列何者是憲法第 142 條規定國民經濟之實施方法？  
(A)減少支出 (B)節制消費 (C)資本自由產權開放 (D)平均地權節制資本
- 5 依司法院大法官釋字第 479 號解釋，認為人民團體名稱必須冠以所屬行政區域名稱之規定，侵害何項憲法上所保障之權利？  
(A)財產權 (B)結社權 (C)人格權 (D)工作權
- 6 依司法院大法官釋字第 492 號解釋，商標專用權屬於人民受憲法保障之何項權利？  
(A)財產權 (B)生存權 (C)工作權 (D)結社權
- 7 人民對於國家機關表達其特定公共議題的希望，例如勞工向行政院勞工委員會表達反對開放外籍勞工的訴求，是為：  
(A)請願 (B)訴願 (C)行政訴訟 (D)聲明異議
- 8 憲法增修條文規定的國家安全局，其地位或功能為何？  
(A)隸屬於行政院大陸委員會  
(B)為國家安全會議的上級機關  
(C)為總統決定國家安全有關大政方針的法定幕僚機關  
(D)為行政院決定大陸政策的幕僚機關
- 9 刑事被告詰問證人之權利，屬於下列何者之保障範圍？  
(A)罪刑法定主義 (B)正當法律程序 (C)不當連結禁止原則 (D)法官自由心證原則
- 10 依憲法第 160 條之規定，有關 6 歲至 12 歲之學齡兒童所應受基本教育之敘述，下列何者正確？  
(A)單親者免納學費，並由政府供給書籍  
(B)屬邊疆民族及原住民族者免納學費，並由政府供給書籍  
(C)屬軍人子女者免納學費，並由政府供給書籍  
(D)貧苦者免納學費，並由政府供給書籍
- 11 比例原則強調國家在進行干預行政時，不得為達目的而不擇手段，強調目的與手段之間均衡，若有多種同樣能達成目的之方法時，應選擇對人民權益損害最少者，此為何種原則的展現？  
(A)適當性原則（合目的性原則） (B)必要性原則（侵害最少原則）  
(C)過度禁止原則（狹義的比例原則） (D)平等原則



- 12 憲法第 11 條關於講學自由之規定，是針對學術自由及大學自治所設計之何種保障？  
(A)階段性保障 (B)層級性保障 (C)集團性保障 (D)制度性保障
- 13 依司法院大法官釋字第 582 號解釋，刑事被告有詰問證人之權利，是受憲法何項權利之保障？  
(A)言論自由 (B)提審權 (C)訴訟權 (D)司法權
- 14 依憲法本文規定，人民有選舉、罷免、創制及複決之權，試問人民之此一權利可以統稱為下列何者？  
(A)集會權 (B)生存權 (C)參政權 (D)服公職權
- 15 依憲法增修條文之規定，下列何者非由總統提名經立法院同意任命之？  
(A)行政院院長 (B)司法院大法官 (C)考試院院長 (D)監察委員
- 16 依憲法增修條文第 2 條之規定，因缺位而補選之副總統，其任期為多久？  
(A)繼任至原任期一半為止 (B)由總統決定  
(C)繼任至原任期屆滿為止 (D)由立法院決定
- 17 依憲法本文及增修條文之規定，下列何者非行政院院長職權？  
(A)法令副署權 (B)答覆立法委員質詢 (C)主持國家安全會議 (D)行政院會議主席權
- 18 依憲法本文及增修條文之規定，下列何者非屬立法院的職權？  
(A)預算議決權 (B)人事同意權 (C)行政監督權 (D)違憲審查權
- 19 依憲法增修條文第 9 條規定，省主席係透過下列何種方式產生？  
(A)省民直選 (B)省政府委員互選  
(C)行政院院長提請總統任命 (D)內政部部长提請行政院院長任命
- 20 依憲法增修條文第 4 條規定，有關立法委員之不受逮捕特權，以下敘述何者錯誤？  
(A)限於立法院會期中始有之 (B)經立法院許可，才可逮捕、拘禁  
(C)現行犯不包括在內 (D)現行犯只要表明身分，即可拒絕逮捕
- 21 依憲法增修條文之規定，我國司法院院長如何產生？  
(A)全民直選 (B)立法委員代為選舉  
(C)總統提名，經立法院同意任命 (D)最高法院院長提名，總統任命
- 22 依憲法增修條文第 3 條之規定，就行政院對於立法院之決議案移請立法院覆議，總統得行使何種權力？  
(A)核可權 (B)諮詢權 (C)複決權 (D)無須經總統同意
- 23 有關監察院對監察院人員彈劾之敘述，下列何者正確？  
(A)監察院無權對於監察院人員進行彈劾 (B)監察院僅得對監察院人員之失職進行彈劾  
(C)監察院僅得對監察院人員之違法進行彈劾 (D)監察院對監察院人員彈劾時，得行使文件調閱權
- 24 依憲法增修條文之規定，考試委員如何產生？  
(A)考試院院長任命之 (B)考試院副院長任命之  
(C)總統提名，經立法院同意任命之 (D)總統提名，經監察院同意任命之
- 25 依憲法增修條文所規定之省、縣地方制度，下列敘述何者正確？  
(A)省自治之監督機關為立法院 (B)省為自治單位，具有自治法人地位  
(C)縣之立法權由縣議會行使之 (D)省諮議會議員由行政院院長直接任命
- 26 請問以下何者為對於我國憲法發展史的適當描述？  
(A)我國現行憲法從未修正過 (B)我國現行憲法本文從未修正過  
(C)我國現行憲法係於民國 38 年制定、翌年生效 (D)我國現行憲法於制定生效後即全部凍結迄今
- 27 下列何者非考試院所掌理之事項？  
(A)公務人員之銓敘 (B)國立大學教授之聘用 (C)公務人員之保障 (D)司法官任免之法制事項
- 28 下列何者非屬憲法增修條文所明定基本國策之發展方向？  
(A)經濟及科學技術發展，應與環境及生態保護兼籌並顧  
(B)國家應推行全民健康保險，並促進現代和傳統醫藥之研究發展  
(C)教育、科學、文化之經費，不得少於中央預算總額百分之十五  
(D)國家肯定多元文化，並積極維護發展原住民族語言及文化

- 29 因可歸責於債務人之事由，以致於給付不能者，債務人之責任為何？  
(A)免給付義務 (B)仍應為部分給付 (C)仍應為替代給付 (D)仍應為原定之給付
- 30 有關司法獨立之敘述，下列何者錯誤？  
(A)憲法第 80 條有關司法權獨立之規定，係屬制度保障  
(B)法官有終身職保障規定，旨在藉以維護審判獨立  
(C)司法院所為司法行政監督措施，若未影響法官身分權益，亦不影響審判獨立，即非法之所禁  
(D)依法院組織法所設之庭長係屬憲法所保障之法官，司法院以行政命令使法官免兼庭長，係屬違憲行為
- 31 憲法在國家基本組織部分，將國家權力分為五權，並分由五院來行使，此是基於那一項原則所作的規定？  
(A)垂直權力分立原則 (B)民主原則 (C)水平權力分立原則 (D)共和國原則
- 32 依憲法增修條文之規定，有關修憲的程序，下列敘述何者正確？  
(A)應由人民提出憲法修正案，經立法院複決  
(B)應由立法院提出憲法修正案，經人民複決  
(C)應由國民大會提出憲法修正案，經立法院複決  
(D)應由總統提出憲法修正案，經國民大會複決
- 33 性別工作平等會中，女性委員至少應占全體委員的多少比例以上？  
(A)四分之一 (B)三分之二 (C)三分之一 (D)二分之一
- 34 下列有關立法委員報酬或待遇之敘述，何者正確？  
(A)應以法律定之 (B)由立法院以內部規則定之  
(C)由行政院以命令定之 (D)由總統府以命令定之
- 35 下列何人應於立法院院會中接受立法委員質詢？  
(A)銓敘部部長 (B)司法院秘書長 (C)教育部部長 (D)審計部審計長
- 36 下列關於民法上「損害賠償」的敘述，何者錯誤？  
(A)人格權受侵害只有慰撫金（精神上的損害賠償）  
(B)財產權受侵害不會有慰撫金（精神上的損害賠償）  
(C)人格權受侵害之慰撫金，原則上不得讓與或繼承  
(D)財產權受侵害之損害賠償，原則上可以讓與或繼承
- 37 甲擅自將乙機車上之後視鏡卸下，裝置在自己同型之機車上，則下列敘述何者正確？  
(A)乙因添附而喪失後視鏡之所有權，但得向甲請求支付償金  
(B)乙得請求甲返還該後視鏡  
(C)甲乙因添附而分別共有該機車  
(D)甲乙因添附而共同共有該機車
- 38 下列何者，屬於債權人得依民法聲請法院撤銷之詐害行為？  
(A)債務人非以財產為標的之行為  
(B)債務人與他人通謀而為虛偽意思表示之行為  
(C)債務人所為僅有害於以給付特定物為標的之債權之行為  
(D)債務人就已經存在之對他人之債務，事後設定抵押權作為擔保之行為
- 39 有關未成年人兩願離婚之敘述，下列何者錯誤？  
(A)應得法定代理人之同意 (B)無須得法定代理人之同意  
(C)應以書面為之 (D)應向戶政機關為離婚之登記
- 40 有關刑法感化教育的規定，以下何者正確？  
(A)感化教育之期間為 2 年以下  
(B)因未滿 12 歲而不罰者，得令入感化教育處所，施以感化教育  
(C)因未滿 18 歲而減輕其刑，且僅宣告拘役者，應於執行前進行感化教育  
(D)感化教育已逾 6 月，認無繼續執行之必要者，法院得免其處分之執行

- 41 刑法第 17 條規定：「因犯罪致發生一定之結果，而有加重其刑之規定者，如行為人不能預見其發生時，不適用之。」以刑法第 277 條第 2 項前段普通傷害致死罪為例，下列敘述何者為正確？
- (A)行為人對於被害人死亡結果之發生必須要有預見可能性  
(B)行為人對於被害人死亡結果之發生不須要有預見可能性  
(C)行為人之普通傷害行為不須要有過失  
(D)被害人死亡結果之發生不須要與普通傷害行為有因果關係
- 42 民法第 106 條規定，代理人非經本人之許諾，不得為本人與自己之法律行為，亦不得既為第三人之代理人，而為本人與第三人之法律行為。一般解釋上認為，父母贈與未成年子女，並不違反該條之規定，請問此係運用何一解釋方法？
- (A)類推適用 (B)目的限縮 (C)擴充解釋 (D)當然解釋
- 43 下列何項行為侵害著作權？
- (A)購買正版漫畫出租他人  
(B)圖書館購買正版 DVD，為避免損害，自行複製後，出借複製之 DVD  
(C)於網路上看到他人關於政治時事問題之論述，深表贊同，且該論述之著作權人未標示不得轉載，因此轉貼於自己網頁上  
(D)公開展示合法購得之他人美術著作原件
- 44 我國著作財產權之保護期間及於著作人死後多少年？
- (A) 20 年 (B) 30 年 (C) 40 年 (D) 50 年
- 45 下列有關經理人之敘述何者正確？
- (A)公司經理人職權僅得依章程規定  
(B)曾犯詐欺罪經有期徒刑 1 年以上宣告，服刑期滿 1 年者得任公司經理人  
(C)公司經理人原則上不得兼任其他營利事業之經理人  
(D)公司經理人得變更董事或執行業務股東之決定
- 46 下列有關少數股東權利之敘述，何者錯誤？
- (A)少數股東除股東會之臨時動議外，並無提案權 (B)少數股東可以提出自己的董事候選人名單  
(C)少數股東可以請求召集股東會 (D)少數股東得請求對董事提起訴訟
- 47 依消費者保護法規定，刊登或報導廣告之企業經營者，其可得而知廣告內容與事實不符者，就消費者因信賴該廣告所受之損害，與提供廣告的企業經營者負何種責任？
- (A)連帶責任 (B)個別侵權責任 (C)不真正連帶責任 (D)毋須負責
- 48 有關全民健康保險不予給付的情形，下列那一項敘述有錯誤？
- (A)違反全民健康保險法有關規定者  
(B)經審查非屬醫療必需之診療服務及藥品  
(C)因自殺所生之醫療費用  
(D)依其他社會保險法令請領殘廢給付後，再以同一傷病申請住院診療
- 49 有關勞動基準法所定勞工工資最優先受清償之權，下列敘述何者錯誤？
- (A)限於雇主歇業、清算或宣告破產之情形  
(B)限於勞工本於勞動契約而遭積欠之工資未滿 6 個月之部分  
(C)僅優先於一般債權  
(D)優先於同時擁有抵押權之債權，但後於國家租稅債權
- 50 醫事人員在執行職務時知有疑似家庭暴力情事者，至遲應在多少時間內立即通報當地主管機關？
- (A) 12 小時 (B) 24 小時 (C) 36 小時 (D) 48 小時

# 測驗式試題標準答案

100年公務人員特種考試海岸巡防人員考試、公務人員特種考試關務人員考試、公務人員考試名稱：特種考試稅務人員考試、特種考試退除役軍人轉任公務人員考試及國軍上校以上軍官轉任公務人員考試

類科名稱：各類科

科目名稱：法學知識（包括中華民國憲法、法學緒論）（試題代號：2401）

題數：50題

標準答案：

題號	01	02	03	04	05	06	07	08	09	10	11	12	13	14	15	16	17	18	19	20
答案	D	A	A	D	B	A	A	C	B	D	B	D	C	C	A	C	C	D	C	D

題號	21	22	23	24	25	26	27	28	29	30	31	32	33	34	35	36	37	38	39	40
答案	C	A	D	C	C	B	B	C	C	D	C	B	D	A	C	A	B	D	B	D

題號	41	42	43	44	45	46	47	48	49	50
答案	A	B	B	D	C	A	A	C	D	B

更多關務考試科目的歷屆題庫  
立即上網搜尋“關務考試歷屆考古題”  
高鋒公職補習班整理  
Line@帳號：@gaofeng  
連絡電話：07-236-7296

題號																				
答案																				

題號																				
答案																				

備註：

100年公務人員特種考試海岸巡防人員考試、100年公務人員特種考試關務人員考試、100年公務人員特種考試稅務人員考試、100年特種考試退除役軍人轉任公務人員考試及100年國軍上校以上軍官轉任公務人員考試試題

代號：34520 全一張  
(正面)

等 別：四等關務人員考試

類(科)別：機械工程

科 目：機械原理概要

考試時間：1 小時 30 分

更多關務考試科目的歷屆題庫  
立即上網搜尋“關務考試歷屆考古題”  
高鋒公職補習班整理  
Line@帳號：@gaofeng  
連絡電話：07-236-7296

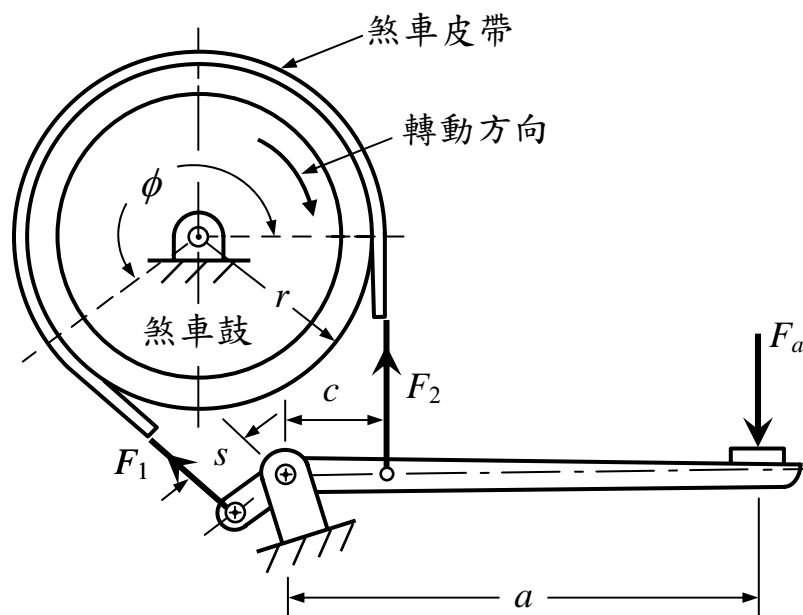
座號：\_\_\_\_\_

※注意：(一)可以使用電子計算器。

(二)不必抄題，作答時請將試題題號及答案依照順序寫在試卷上，於本試題上作答者，不予計分。

一、如果要設計一個轉動徑為 33 mm 之方螺旋千斤頂，使其能將一個物體以 60 mm/min 的速率上昇。若螺旋為雙螺紋，並以 10 rpm 的轉速旋轉，試問此螺旋之節距為多少？(10 分) 若其載重量為 10 kN，且舉昇載重之效率為 0.4，則輸入功率為多少？(10 分)

二、下圖為差動式皮帶煞車裝置 (Differential band brake)，請以公式和文字說明：在何種條件下，煞車裝置可以不需要施加致動力  $F_a$  也能夠產生自發性煞車 (Self-energizing braking)。(20 分)

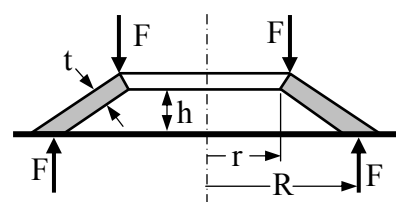


三、若有一鋼材的碟形 (皿形或圓盤) 彈簧，如下圖所示，其中  $h/t=1.5$ ， $R/r=2$ ，負荷 (F) 為 1,000 lb，在最大壓縮應力 200,000 psi (壓平) 時，求碟形彈簧的 R 及 h 各為多少？(20 分)

其中鋼材的楊氏模數  $E=3 \times 10^7$  lb/in<sup>2</sup>，碟形彈簧的最大壓縮應力為  $\sigma = K_1 \frac{Et^2}{R^2}$

當  $h/t=1.5$  碟形彈簧的係數表如下：

R/r	$K_1$	$R\sigma/F^{1/2}$
1.25	-8.83	-22,090
1.50	-6.29	-19,430
1.75	-5.63	-19,050
2.00	-5.44	-19,350
2.50	-5.54	-20,630



(請接背面)

100年公務人員特種考試海岸巡防人員考試、100年公務人員特種考試關務人員考試、100年公務人員特種考試稅務人員考試、100年特種考試退除役軍人轉任公務人員考試及100年國軍上校以上軍官轉任公務人員考試試題

代號：34520 全一張  
(背面)

等 別：四等關務人員考試

類(科)別：機械工程

科 目：機械原理概要

四、螺紋的規格表示法如下，請說明各代表的內容。(20分)

3 條  $M 5 \times 1.5 \times 20 - 2 \nabla \nabla$

五、兩皮帶輪之外徑分別為  $D = 50 \text{ cm}$ ， $d = 30 \text{ cm}$ ，傳動軸中心距離為  $C = 150 \text{ cm}$ ，則傳動時使用交叉帶比用開口帶的帶長長幾公分？(20分)

100年公務人員特種考試海岸巡防人員考試、100年公務人員特種考試關務人員考試、100年公務人員特種考試稅務人員考試、100年特種考試退除役軍人轉任公務人員考試及100年國軍上校以上軍官轉任公務人員考試試題

代號：34530 全一張  
(正面)

等 別：四等關務人員考試

類(科)別：機械工程

科 目：機械力學概要

考試時間：1 小時 30 分

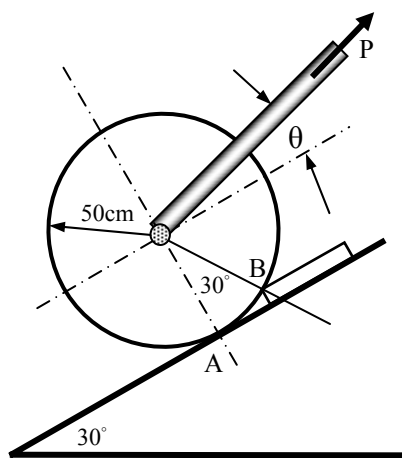
※注意：(一)可以使用電子計算器。

(二)不必抄題，作答時請將試題題號及答案依照順序寫在試卷上，於本試題上作答者，不予計分。

更多關務考試科目的歷屆題庫  
立即上網搜尋“關務考試歷屆考古題”  
高鋒公職補習班整理  
Line@帳號：@gaofeng  
連絡電話：07-236-7296

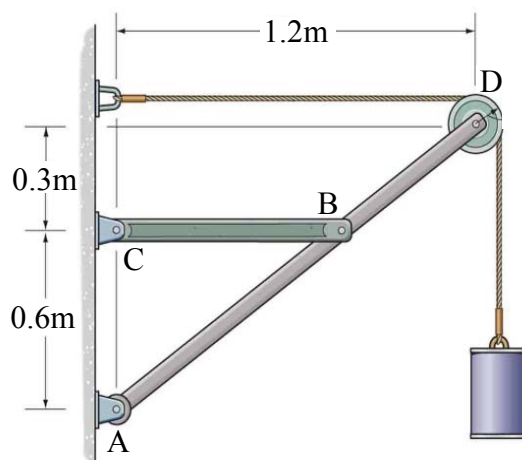
座號：\_\_\_\_\_

- 一、置於斜坡上的輪子質量為 20 kg，半徑 50 cm，輪軸拉桿上施加一拉力 P。斜面上有一擋塊於 B 點頂住輪子使之無法向上滾動，幾何關係如圖一。(一)若拉力 P 與斜面成  $\theta = 30^\circ$ ，試求使輪子恰能脫離斜面 A 點開始越過擋塊所需之 P。(12 分)(二)若  $0^\circ < \theta < 45^\circ$ ，應可以找到一個  $\theta$  角使得所需拉力為最小 ( $P_{\min}$ )，應如何列式？(不需求解)(8 分)。假設輪子與斜面、擋塊間是純滾動，且忽略所有摩擦力。



圖一

- 二、有一 50 kg 之圓柱質量塊以繩索通過一滑輪懸吊於支撐架 ABDC 上如圖二。求支撐點 A 與滑輪 D 軸心上之水平反力與鉛直反力，以及 BC 桿上的力，並標註方向。忽略滑輪摩擦力，滑輪半徑也忽略不計。(20 分)



圖二

(請接背面)



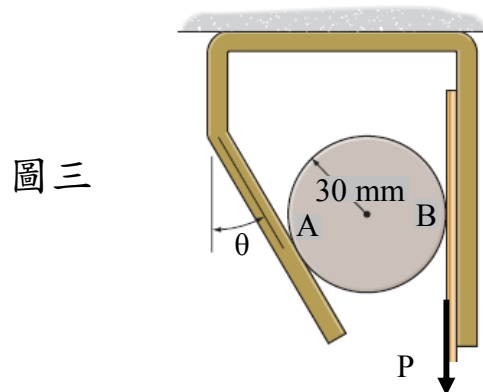
100年公務人員特種考試海岸巡防人員考試、100年公務人員特種考試關務人員考試、100年公務人員特種考試稅務人員考試、100年特種考試退除役軍人轉任公務人員考試及100年國軍上校以上軍官轉任公務人員考試試題

代號：34530 全一張  
(背面)

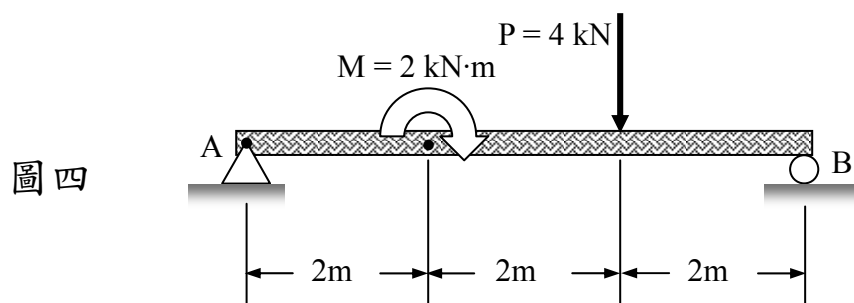
等 別：四等關務人員考試  
類(科)別：機械工程  
科 目：機械力學概要

更多關務考試科目的歷屆題庫  
立即上網搜尋“關務考試歷屆考古題”  
高鋒公職補習班整理  
Line@帳號：@gaofeng  
連絡電話：07-236-7296

三、剛體框架內置半徑 30 mm 圓柱，圓柱與框架斜邊接觸於 A 點，斜邊與鉛直線夾角  $\theta = 30^\circ$ 。圓柱與框架右側直邊之間夾有一薄片，圓柱與薄片接觸於 B 點如圖三。薄片與框架之間無摩擦力，若不論作用於薄片上的力 P 大小，均能使圓柱在框內仍保持自鎖狀態 (self-locking) 而不滑動或滾動，分別求 A、B 兩接觸點處的最小靜摩擦係數  $\mu_A$  及  $\mu_B$ 。忽略圓柱質量，不考慮薄片厚度。(20 分)



四、有一簡支梁上受到一個順時針力矩  $M = 2 \text{ kN}\cdot\text{m}$  以及一個集中負荷  $P = 4 \text{ kN}$  如圖四所示。(一)求支點 A、B 的反作用力，(二)繪出該梁的剪力圖與彎矩圖，(三)求簡支梁內的最大彎曲應力。梁橫截面為矩形，寬 0.1 m，高 0.2 m。(20 分)



五、滑動系統有二質量塊 A 與 B，二者藉由繩索通過一滑輪系統相連如圖五。質量塊 A 質量 200 kg 懸垂於滑輪上，距離地面 10 m。質量塊 B 質量 300 kg 置於斜面上，質量塊 B 與斜面間之摩擦係數  $\mu = 0.6$ ，斜面傾角  $30^\circ$ 。滑動系統由靜止釋放後，求質量塊 A 接觸地面瞬間之速度、加速度與上方繩索張力。(20 分)

